

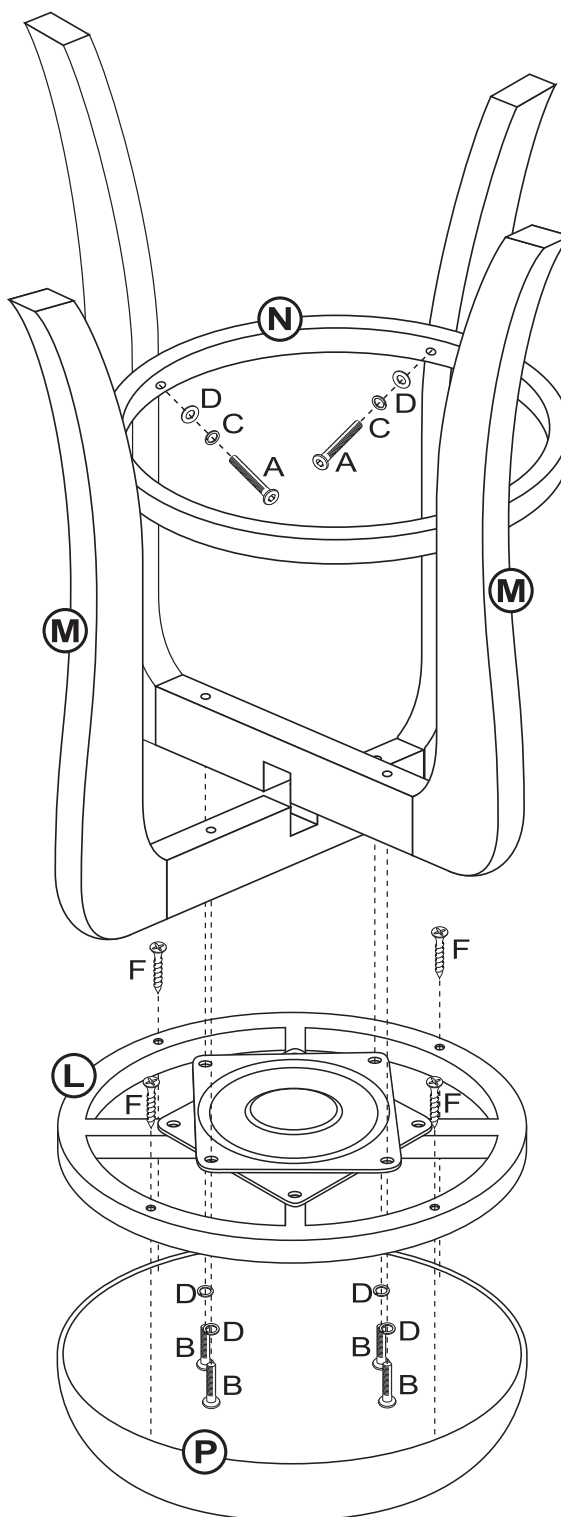
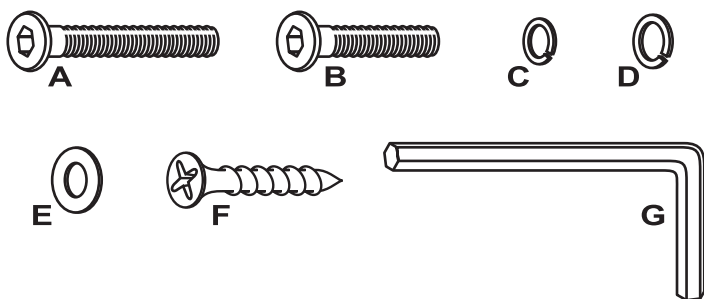
Examine all packaging material for small parts that may have come loose during shipment. Periodic checks are recommended to insure that all components are in proper position, tight and free from damage. Keep this assembly instruction for future reference. Adult assembly is required. Customer Service Phone Number: 502-562-0000

HARDWARE LIST

- A (4) Allen Bolts M6 x 40mm
- B (4) Allen Bolts M6 x 35mm
- C (4) Spring Washers 1/4"
- D (4) Spring Washers 5/16"
- E (4) Flat Washers M6 x 13mm
- F (4) Wood Screws 1 1/4"
- G (1) Allen Wrench M4

PARTS LIST

- L (1) Seat Base
- M (2) Leg Panels
- N (1) Support Ring
- P (1) Seat Cushion



STEP 1

Begin the assembly by attaching each Leg Panel (M) together by fitting each into place. During assembly, secure the Support Ring (N) to the inside leg using 1 Allen Bolt (A), 1 Spring Washer (C) & 1 Flat Washer (E) per each leg. Tighten all bolts using the Allen Wrench (G) that has been provided.

STEP 2

Attach the Top Leg Panel (M) to the Swivel Metal Plate (pre-assembled) using 4 Allen Bolts (B) & 4 Spring Washers (D) to secure in place. Tighten all bolts.

STEP 2

Finally attach the Seat Cushion (P) to the top of the Seat Base (L) using 4 Wood Screws (F) from the bottom. Only tighten screws using a phillips head screwdriver (not included). The assembly is now complete.