



### IMPORTANT NOTE :

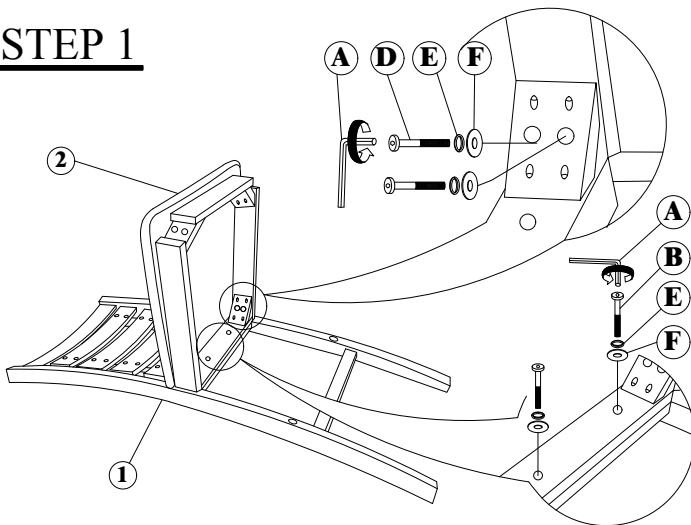
- Place all wooden parts on a clean and smooth surface such as a rug or carpet to avoid the parts from being scratched.
- Check to be sure that you have all parts and hardware.
- Remove all wrapping materials, including staples & packing straps before you start to assemble.
- Do not tighten all screws/bolts until all completely assembled.
- Keep all hardware parts out of reach of children.

### ▲ PARTS FOR EACH CHAIR

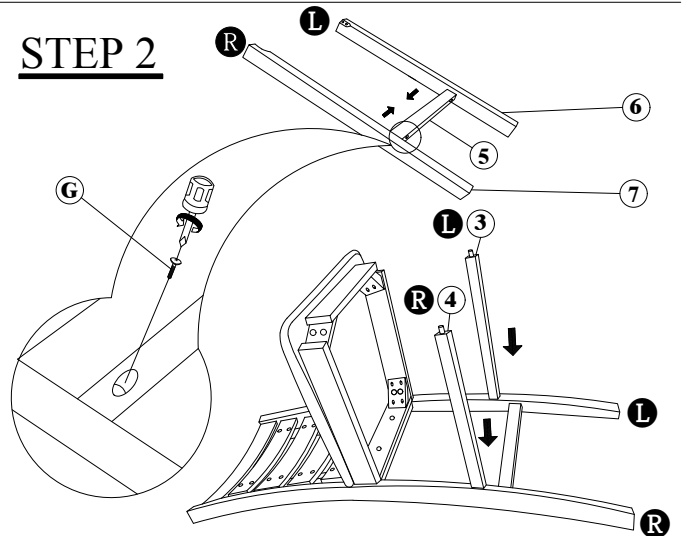
PARTS LIST		
NO.	COMPONENT	QTY.
1	CHAIR BACK	1 PCS
2	SEAT CUSHION WITH FRAME	1 PCS
3	LSF STRETCHER - <b>L</b>	1 PCS
4	RSF STRETCHER - <b>R</b>	1 PCS
5	FRONT STRETCHER	1 PCS
6	LSF FRONT LEG - <b>L</b>	1 PCS
7	RSF FRONT LEG - <b>R</b>	1 PCS

HARDWARE LIST		
NO.	DESCRIPTION	QTY.
A	ALLEN KEY M4 x 60MM	1 PCS
B	JCBC BOLT M6 x 35MM	2 PCS
C	JCBC BOLT M6 x 60MM	4 PCS
D	JCBC BOLT M6 x 80MM	4 PCS
E	SPRING WASHER M6 x 13MM	10 PCS
F	FLAT WASHER M6 x 19MM	10 PCS
G	PAN HEAD SCREW M4 x 32MM	6 PCS

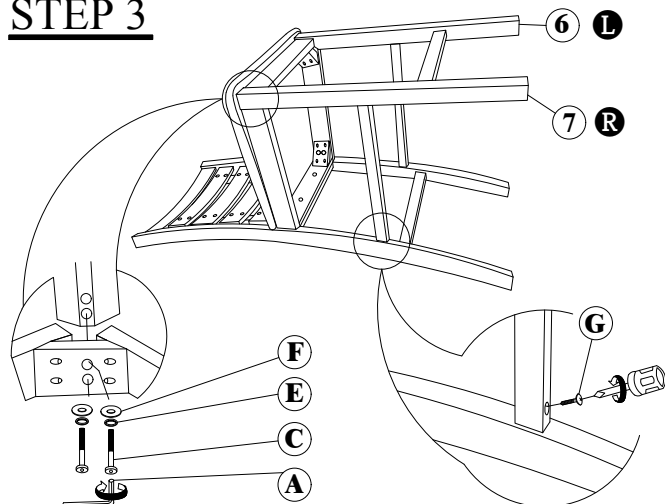
### STEP 1



### STEP 2



### STEP 3



### STEP 4

