

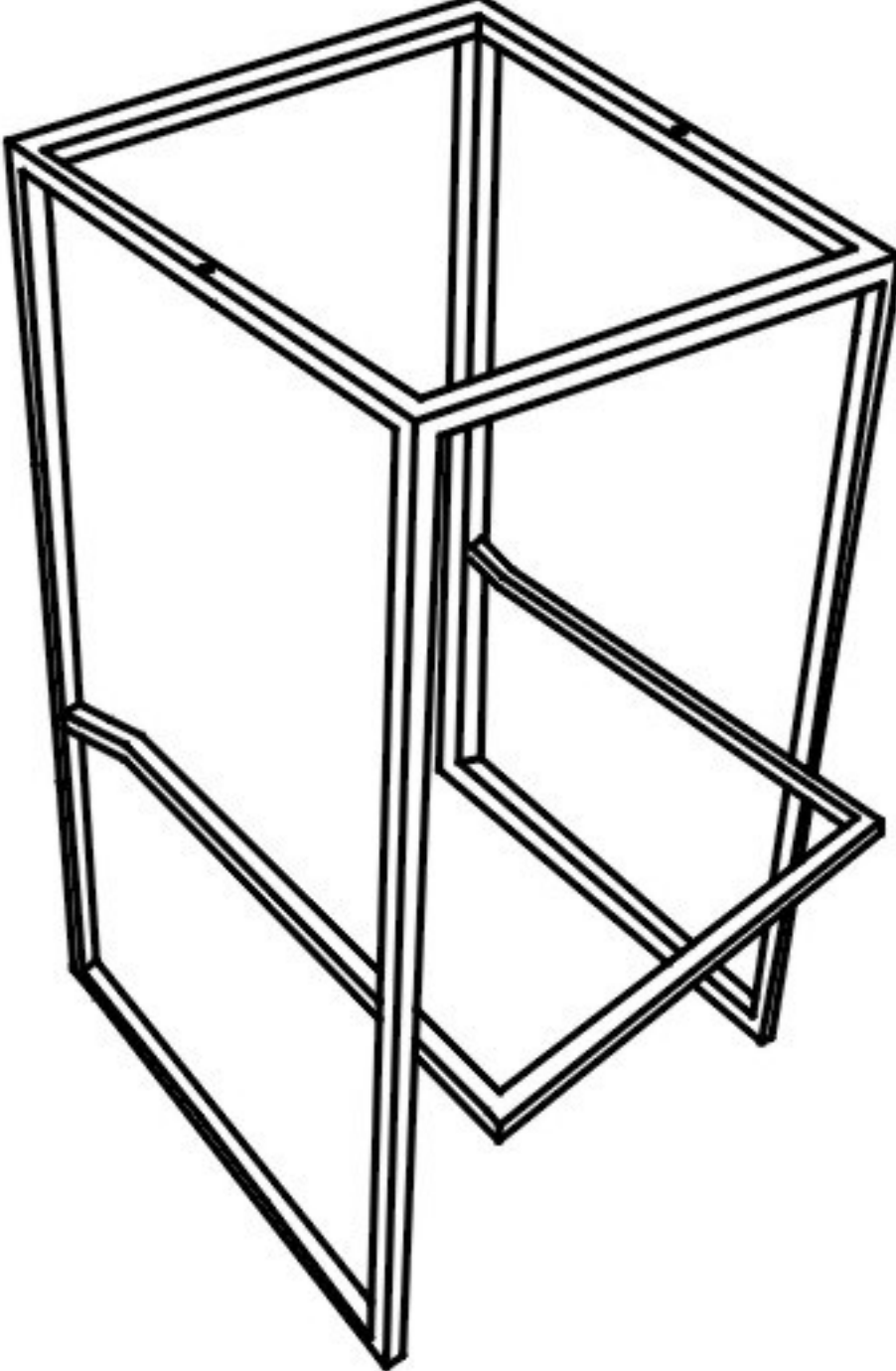
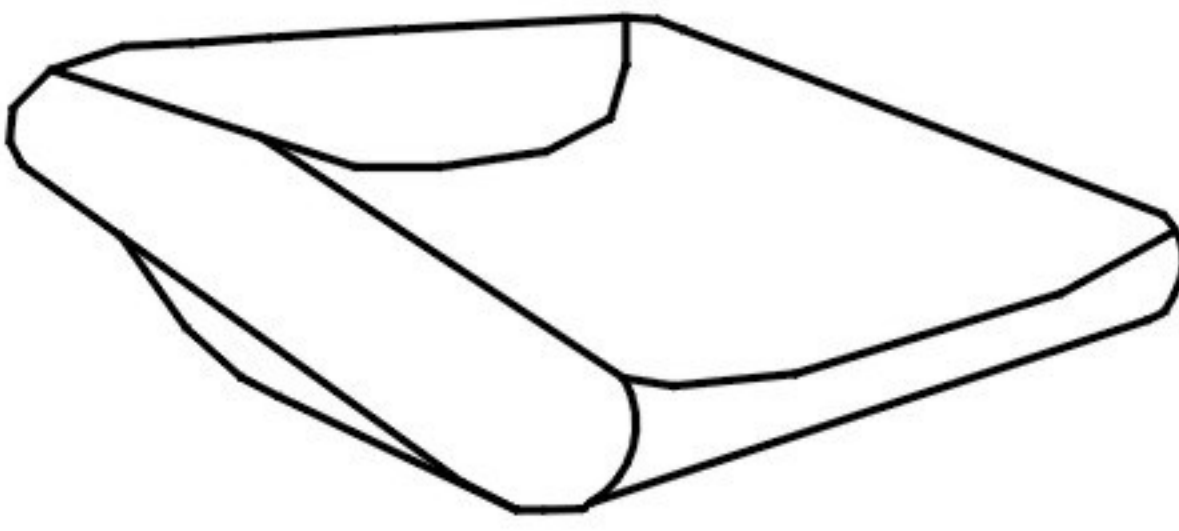

ITEM NAME /NOM D' ITEM:LIDS BARSTOOL

ITEM # /NO. ITEM:300032 (GREEN/VERT)

300033 (DARK GRAY)

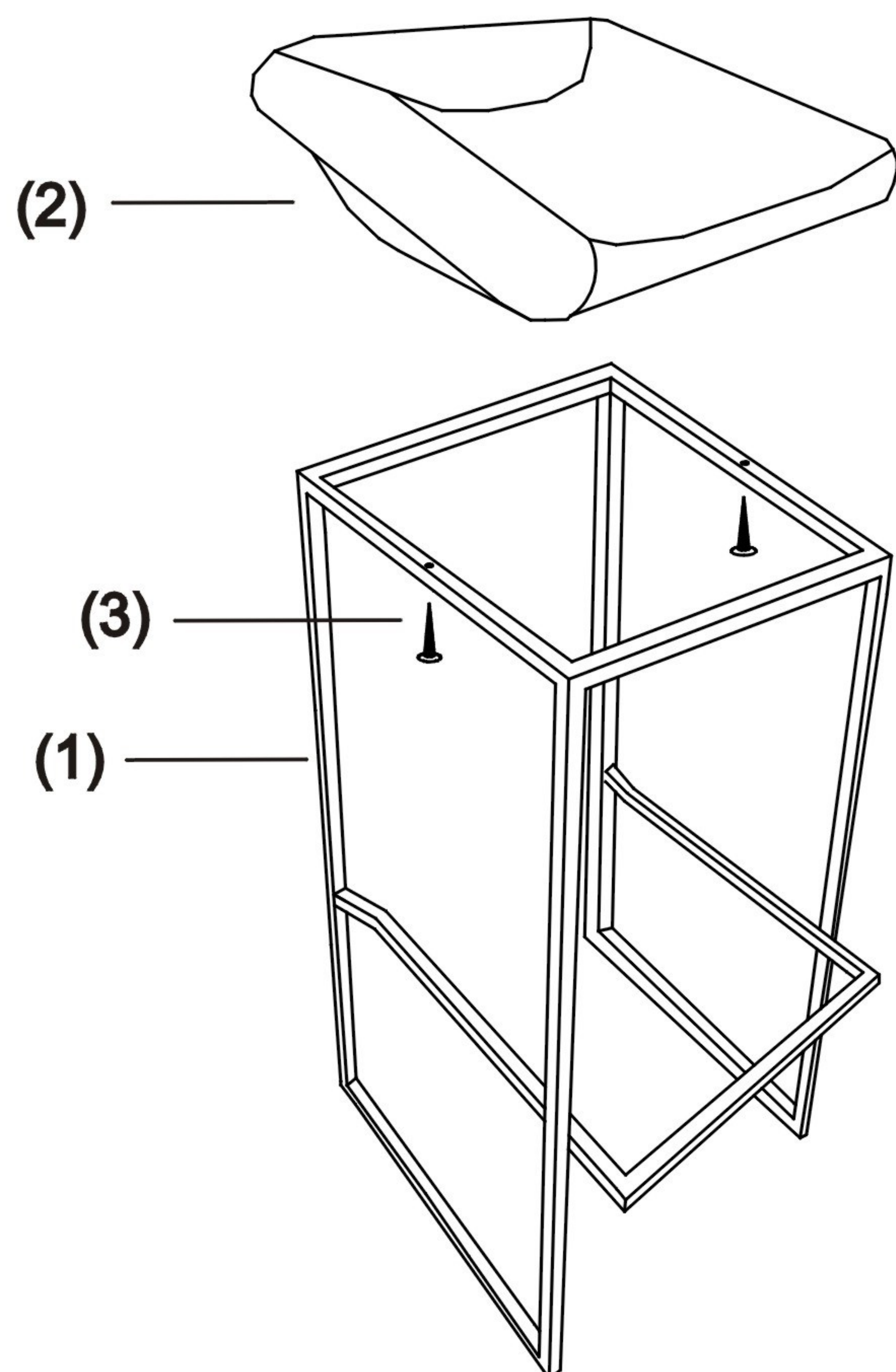
Enquiry:parts@zuomod.com

PART LIST/Liste des pièces

(1)	(2)	(3)
 <p>X1</p>	 <p>X1</p>	 <p>X2</p>

INSTRUCTION

A



B

