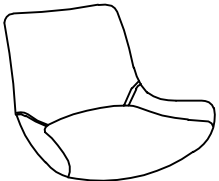
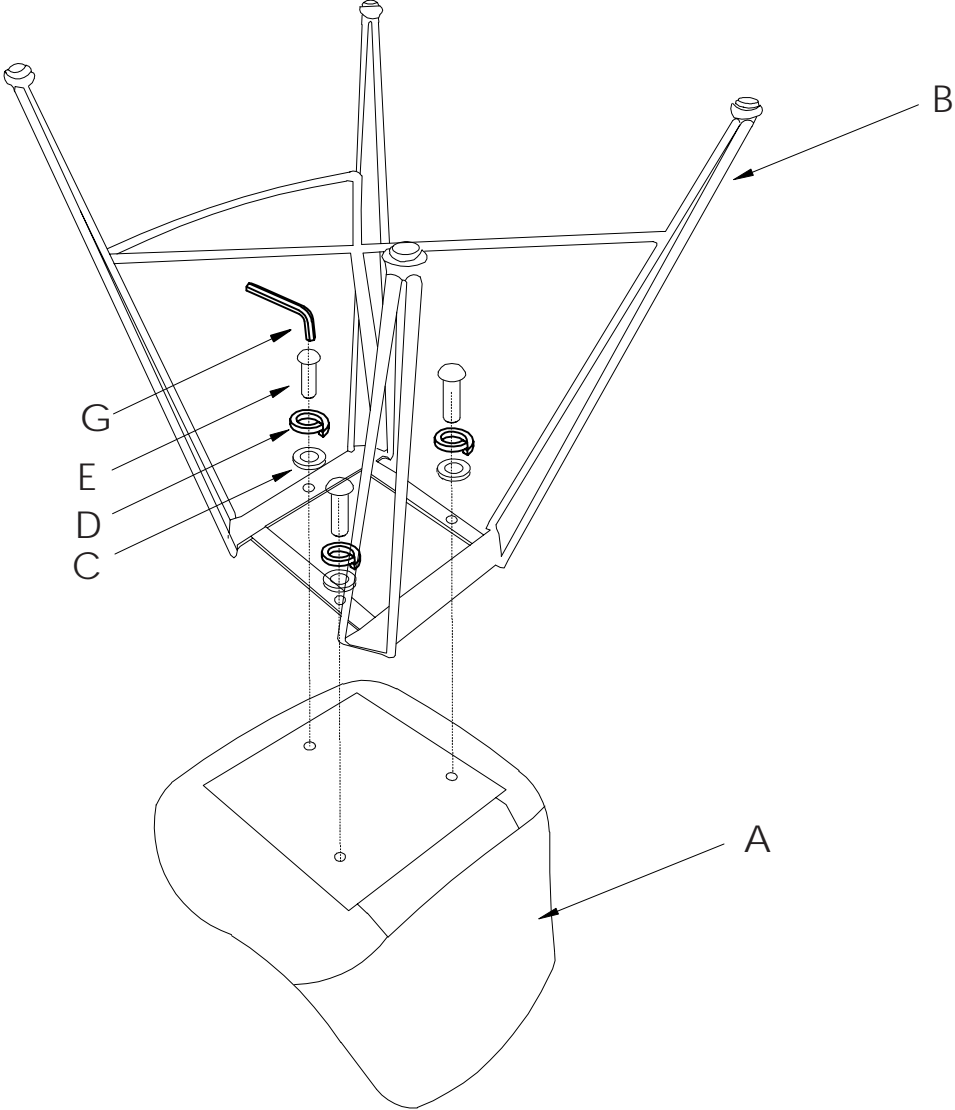
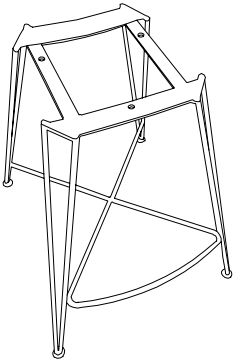


# Assembly Instructions ALISA-B Bar Stool

PLEASE NOTE: Check that you have received all components and hardware before assembling. If you are missing any parts, contact your retailer.



A (1 pc)



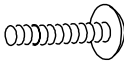
B (1 pc)



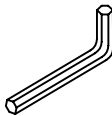
C (3 pcs)



D (3 pcs)



E (3 pcs)  
M6-1 x 25mm



G (1 pc)

During assembly, hand tighten screws only. When the screws are in place, tighten completely.