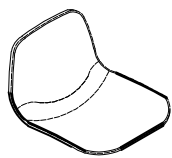
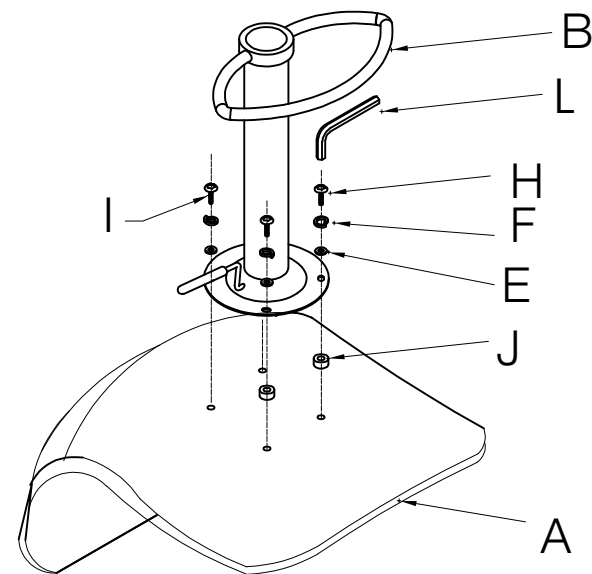
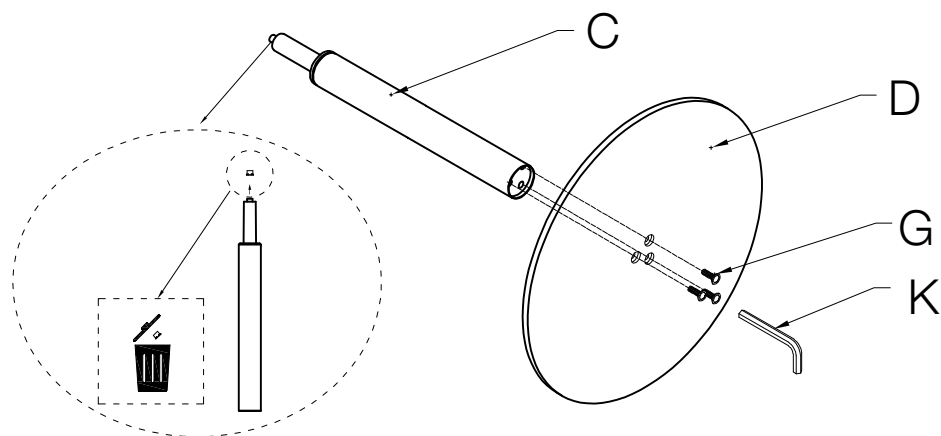


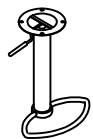
Assembly Instructions

RUDY-B Bar Stool

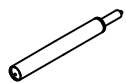
PLEASE NOTE: Check that you have received all components and hardware before assembling. If you are missing any parts, contact your retailer.



A (1 pc)



B (1 pc)



C (1 pc)



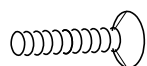
D (1 pc)



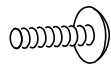
E (4 pcs)



F (4 pcs)



G (3 pcs)
M8 x 30



H (2 pcs)
M6 x 25



I (2 pcs)
M6 x 20



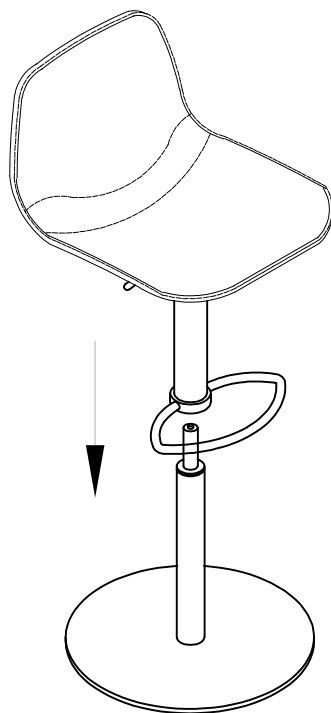
J (2 pcs)



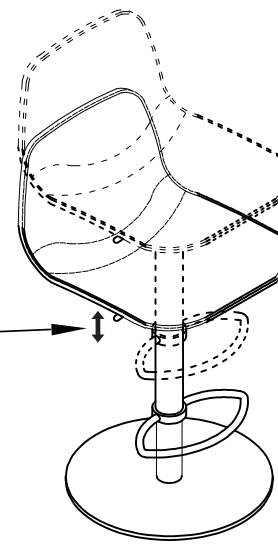
K (1 pc)
M5



L (1 pc)
M4



Chair height adjustment



During assembly, hand tighten screws only. When all screws are in place, then tighten completely.