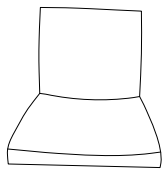
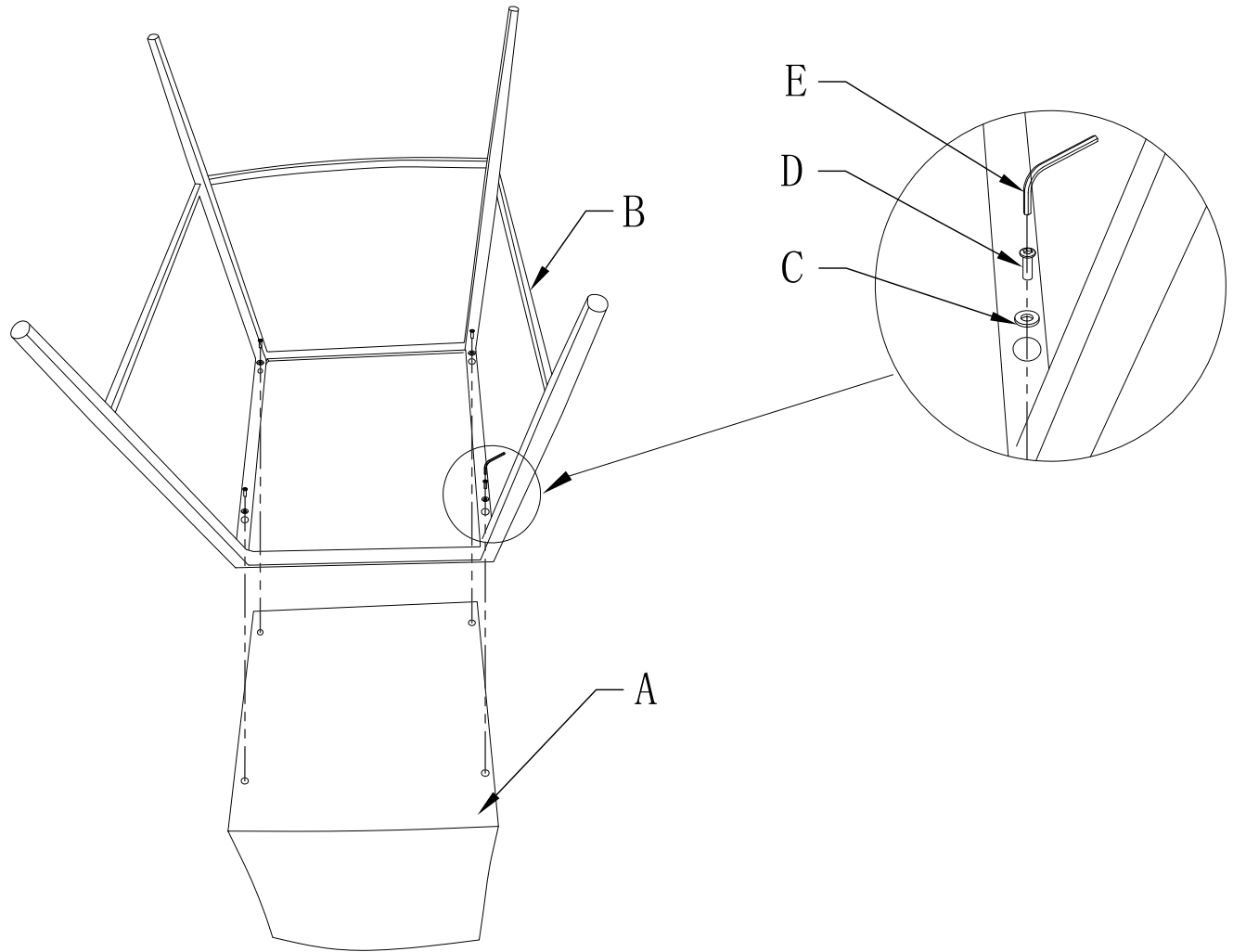
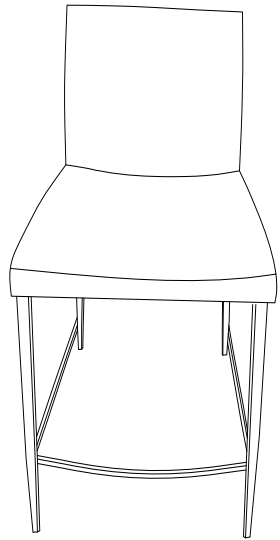


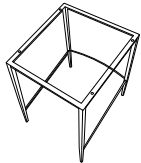
Assembly Instructions

RASMUS Counter Stool

PLEASE NOTE: Check that you have received all components and hardware before assembling. If you are missing any parts, contact your retailer.



A (1 pc)



B (1 pc)



C (4 pcs)



D (4 pcs)
M6 x 20mm



E (1 pc)
4mm

During assembly, hand tighten screws only. When the screws are in place, tighten completely.