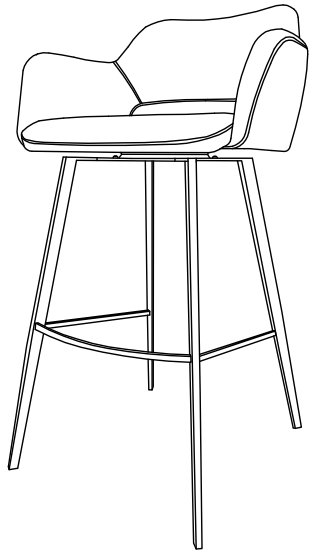


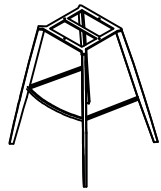
# Assembly Instructions

## DESI Swivel Bar Stool

PLEASE NOTE: Check that you have received all components and hardware before assembling. If you are missing any parts, contact your retailer.



A (1 pc)



B (1 pc)



C (1 pc)



D (4 pcs)  
M6



E (8 pcs)  
M6



F (8 pcs)  
M6



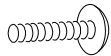
G (2 pcs)  
M6x5mm



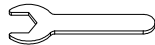
H (4 pcs)  
M6x15mm



I (2 pcs)  
M6x20mm



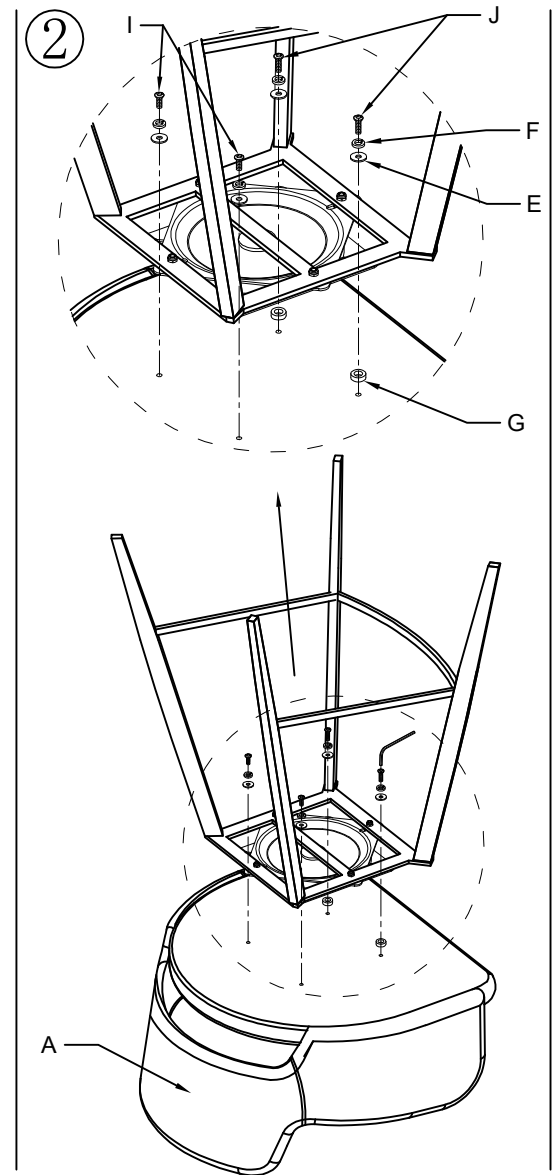
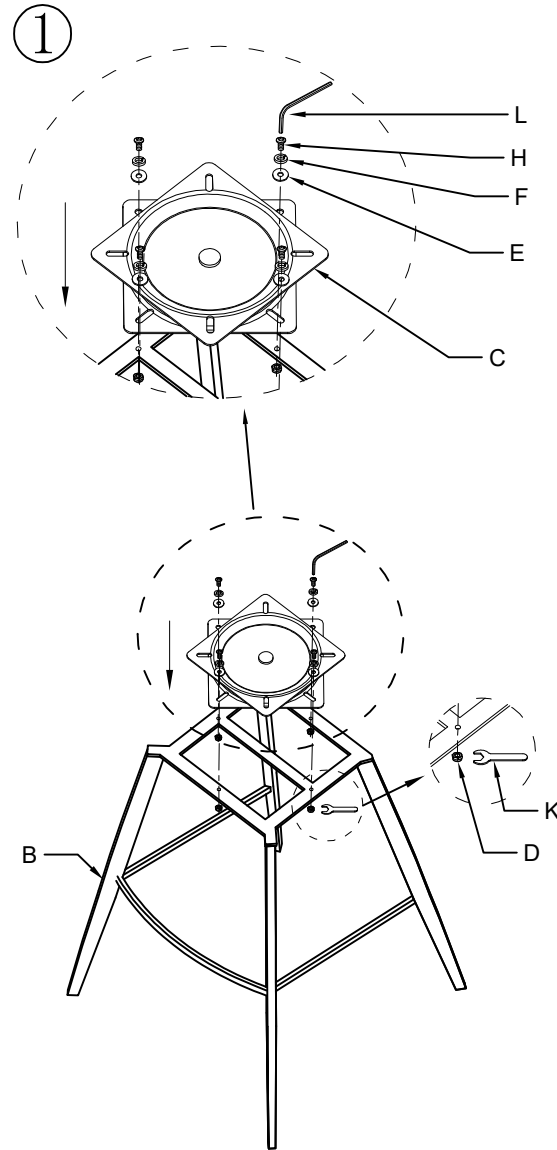
J (2 pcs)  
M6x25mm



K (1 pc)



L (1 pc)



During assembly, hand tighten screws only. When the screws are in place, tighten completely.