







Examine all packaging material for small parts that may have come loose during shipment. Periodic checks are recommended to insure that all components are in proper position, tight and free from damage. Keep this assembly instruction for future reference. Adult assembly is required. The product of Hillsdale Furniture, LLC is designed for residential use only. Customer Service Phone Number: 502-562-0000

HARDWARE LIST

- A (14) Long Allen Bolts M6 x 40mm
- B (4) Medium Allen Bolts M6 x 30mm
- C (18) Spring Washers
- D (14) Flat Washers
- E (1) Allen Wrench
- F (4) Wood Screws 32mm

PART	QTY	HARDWARE	PART	QTY	HARDWARE
A	14		B	4	
C	18		D	14	
E	1		F	4	

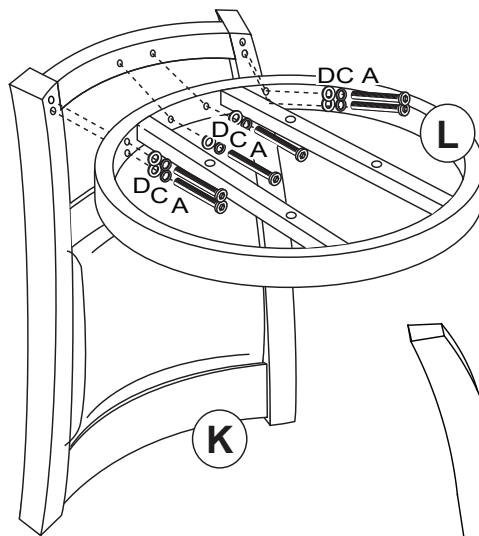
PARTS LIST

- K (1) Stool Back
- L (1) Seat Base
- M (4) Leg Panels
- N (1) Small Support Ring
- P (1) Large Support Ring
- Q (1) Seat Cushion

This drawing is a generic drawing of the original item you purchased. All assembly remains the same.

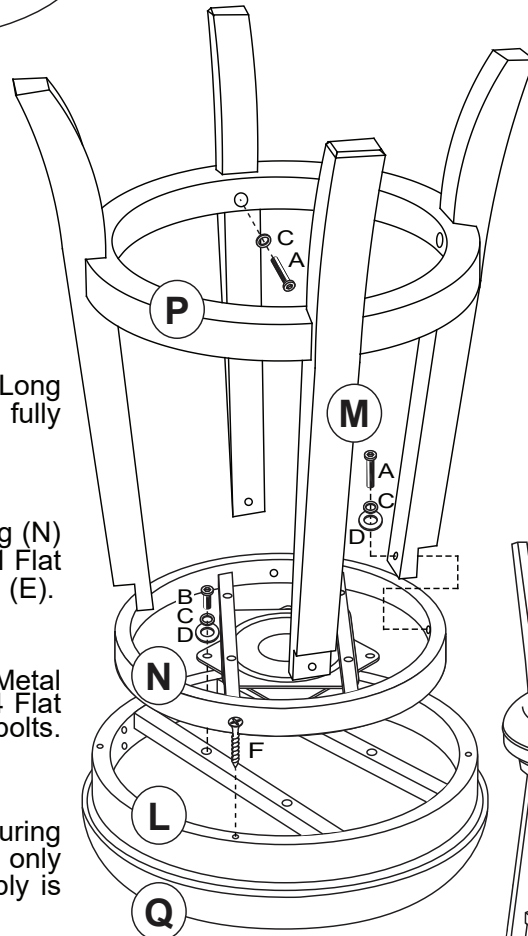
STEP 1

Begin the assembly by attaching the Seat Base (L) to the Stool Back (K). Once in place, secure each arm of the Stool Back using 2 Long Allen Bolts (A) 2 Spring Washer (C) & 2 Flat Washer (D) per each side. Tighten all bolts using Allen Wrenches (E).



STEP 2

Attach each Leg (M) to the Large Support Ring (P) by using 1 Long Allen Bolt (A) & 1 Spring Washer (C) per each Leg. Do not fully tighten bolts.



STEP 3

Slowly insert the assembled Leg base into Small Support Ring (N) in place by using 1 Long Allen Bolt (A), 1 Spring Washer (C) & 1 Flat Washer (D) per each Leg. Tighten all bolts using Allen Wrench (E).

STEP 4

Next attach the Seat Base (L) to the pre-assembled Swivel Metal Plate using 4 short Allen Bolts (B), 4 Spring Washers (C) & 4 Flat Washers (D) to secure in place from the bottom. Tighten all bolts. The assembly is now complete.

STEP 5

Last attach the Seat Cushion (Q) to the Seat Base (L) by securing using 1 Wood Screw (F) per each holes. Tighten all screws only using a philips head Screwdriver (not included). The assembly is now complete.

