



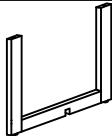
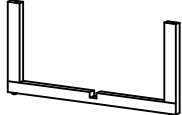



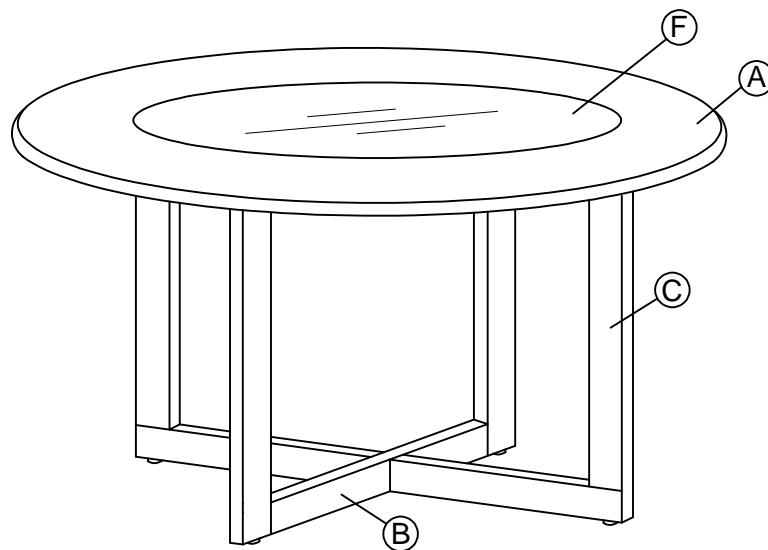


Manufactured by (AXEL) for Rooms To Go

Thank you for purchasing this quality product. Be sure to check all packing material carefully for small parts. Which may have come loose inside the carton during shipment. Identify and count all parts and compare with the hardware list as below :

	No.	Description	Dimension	Picture	Qty
Hardware List	①	JCBB M8	8 x P1.0 x 30mm		12 Pcs
		Spring Washer	M8 x 14mm		12 Pcs
	②	JCBC M6	6 x P1.0 x 50mm		2 Pcs
		Spring Washer	M6 x 12.5mm		2 Pcs
	③	Allen Wrench M4	4 x 58mm		1 Pc

	No.	Description	Picture	Qty
Parts List	A	Table Top		1 Pc
	B	Table Leg Upper		1 Pc
	C	Table Leg Lower		1 Pc
	D	Mounting Support Upper		1 Pc
	E	Mounting Support Lower		1 Pc
	F	Glass		1 Pc



Hardware Pack Location(s) :

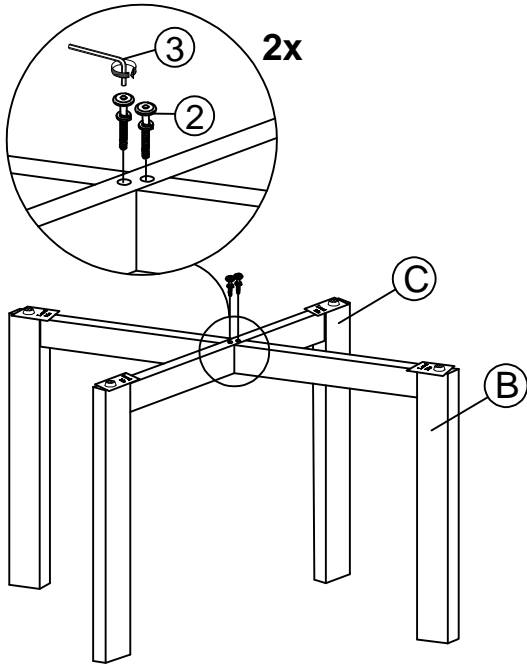
ROUND TABLE, SKU# 42020381

Version # - 14 July 2023

Assembly Step

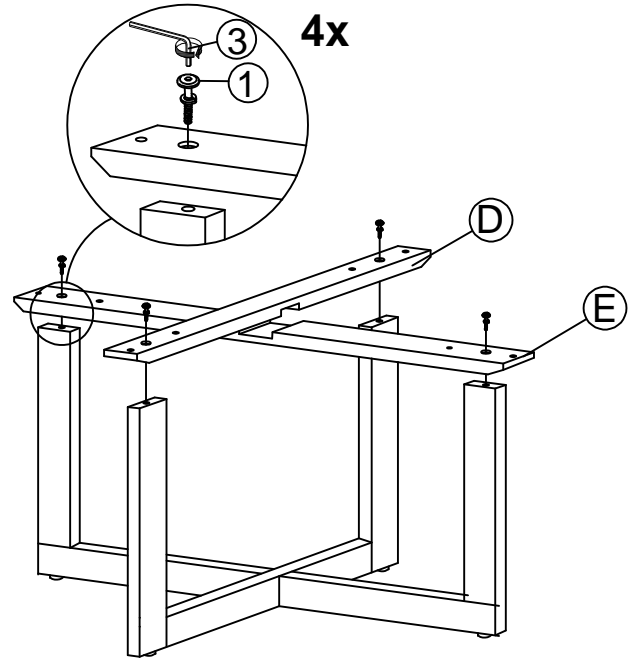
STEP 1

Assembly the TABLE LEG by Jcbs as illustration shown.



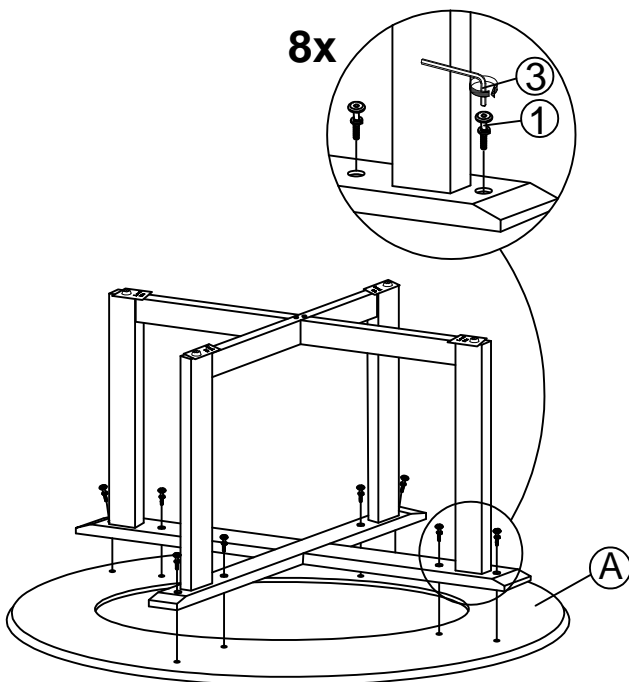
STEP 2

Assembly the TABLE SUPPORT to TABLE LEG.



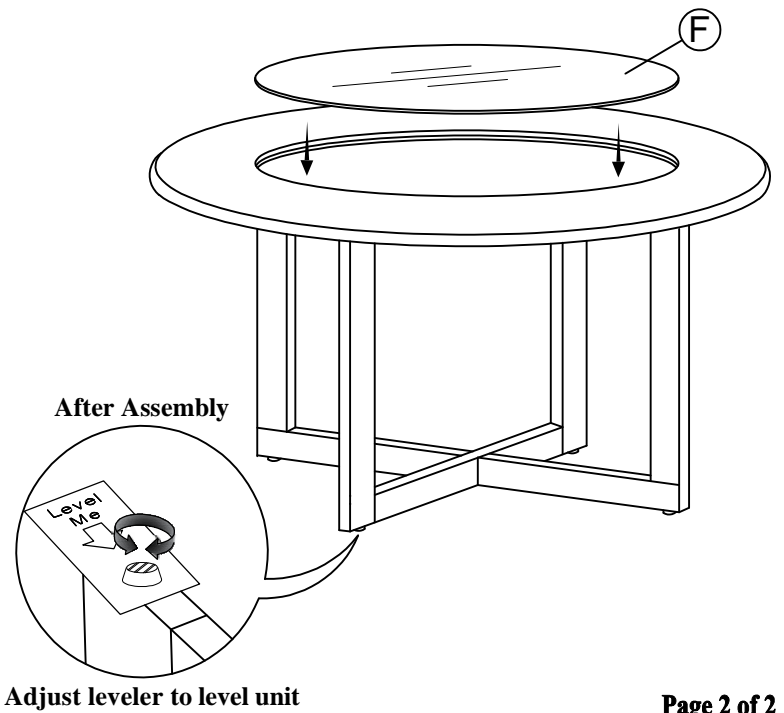
STEP 3

Assembly TABLE BASE to TABLE TOP.



STEP 4

Finally, insert the GLASS to TABLE TOP.



Note:
To ensure that the table is level, assemble the table on flat & soft surface. DO NOT tighten all the screw & bolts until the table been adjust & level all the leg so that they do not wobble. Once adjusted then only tighten all the screw.