

# Assembly Instructions

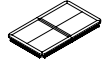
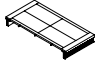
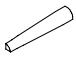
HMIS 3301-11 Leg Table





SKU# : 42033011

HMIS 3303-11 Leg Extension Table

SKU# : 42133037

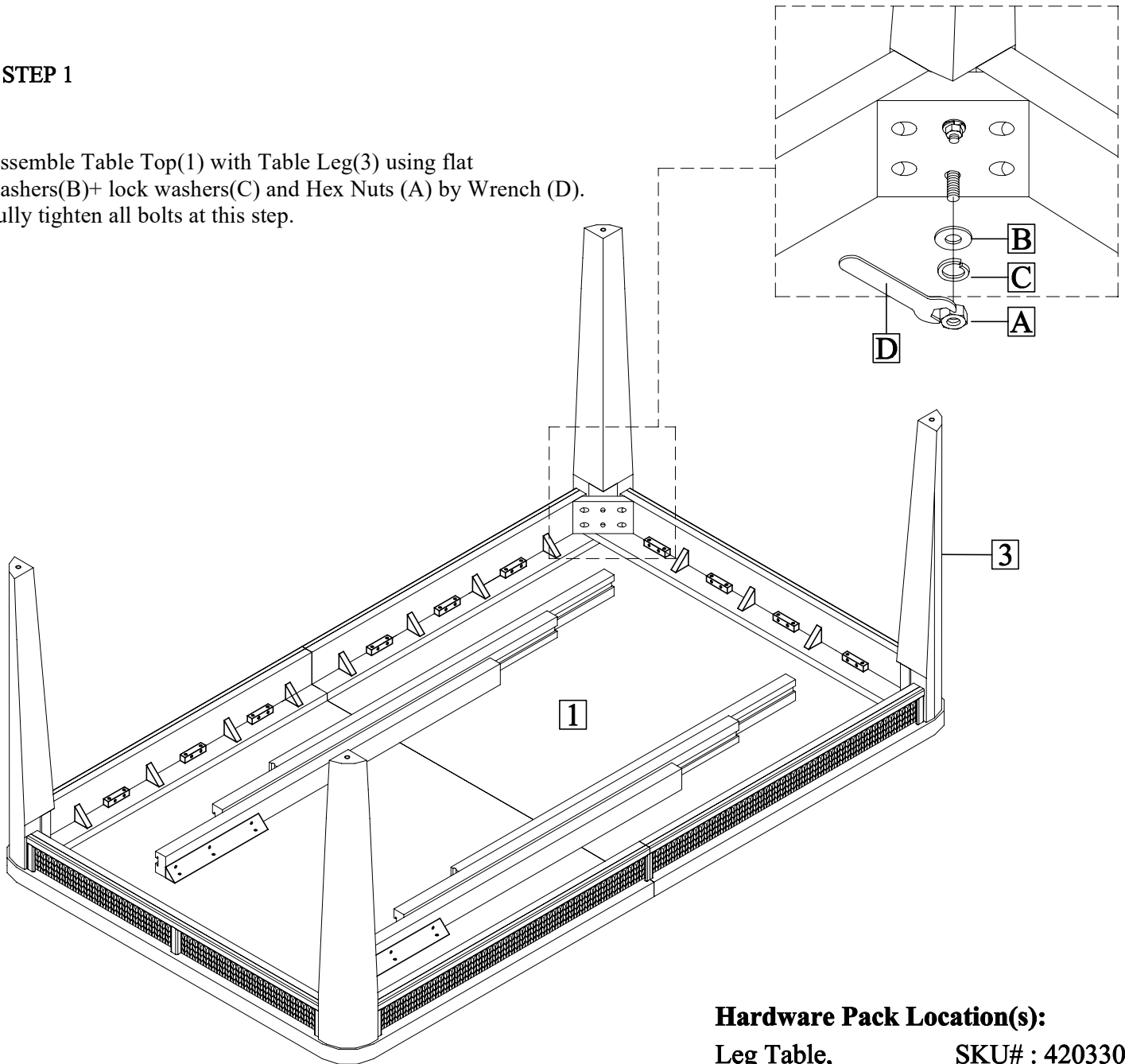
**\*\*\*Caution:** Please read all instructions carefully before starting the assembly process. These parts are cumbersome and heavy. Therefore, two people are recommended in order to prevent personal injury and ensure the parts are not damaged during the assembly

Code	PARTS LIST:		
1	Table Top		1Pc
2	Middle wing		1Pc
3	Table Leg		4Pcs

Step	Code	Hardware List		
1	A	Hex Nut - Ø5/16		8Pcs
	B	Flat washer - Ø5/16x22x1.5mm		8Pcs
	C	Lock washer - Ø5/16		8Pcs
1	D	Wrench - Ø5/16		1Pc

## STEP 1

Assemble Table Top(1) with Table Leg(3) using flat washers(B)+ lock washers(C) and Hex Nuts (A) by Wrench (D). Fully tighten all bolts at this step.



### Hardware Pack Location(s):

Leg Table, SKU# : 42033011

Leg Extension Table, SKU# : 42133037

This product is manufactured by HMIS for

**ROOMS TO GO** ►

# Assembly Instructions

HMIS 3301-11 Leg Table

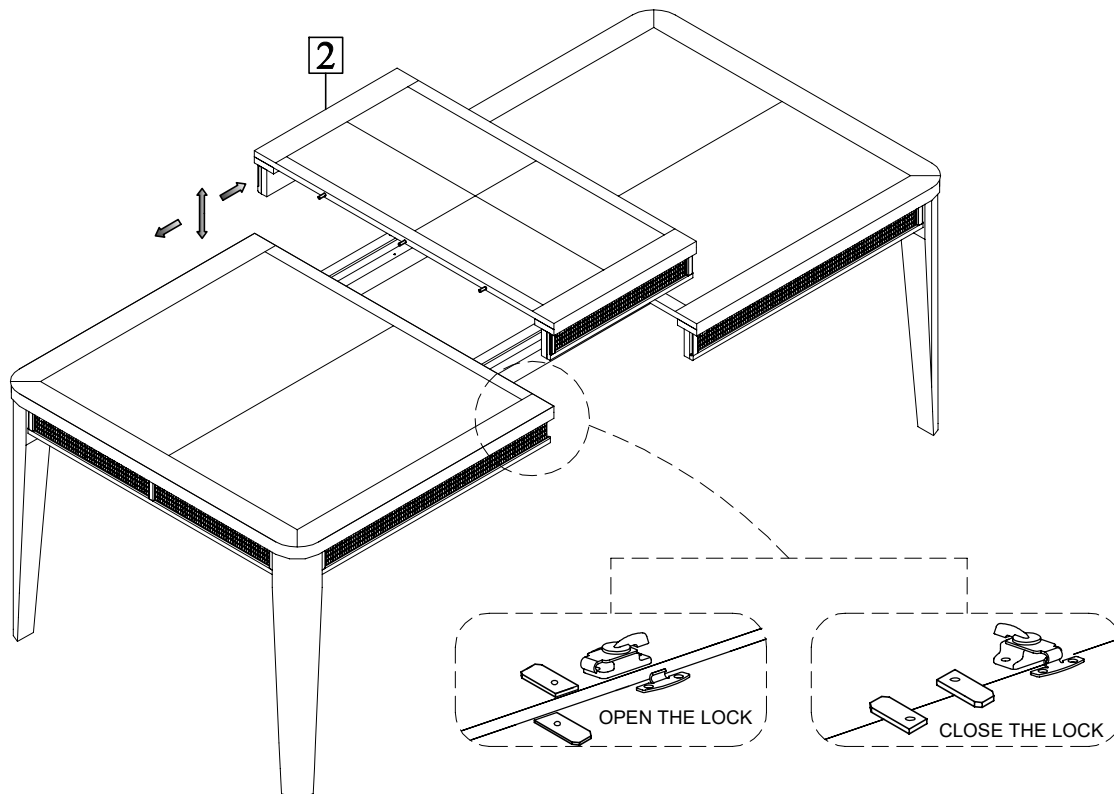
SKU# : 42033011

HMIS 3303-11 Leg Extension Table

SKU# : 42133037

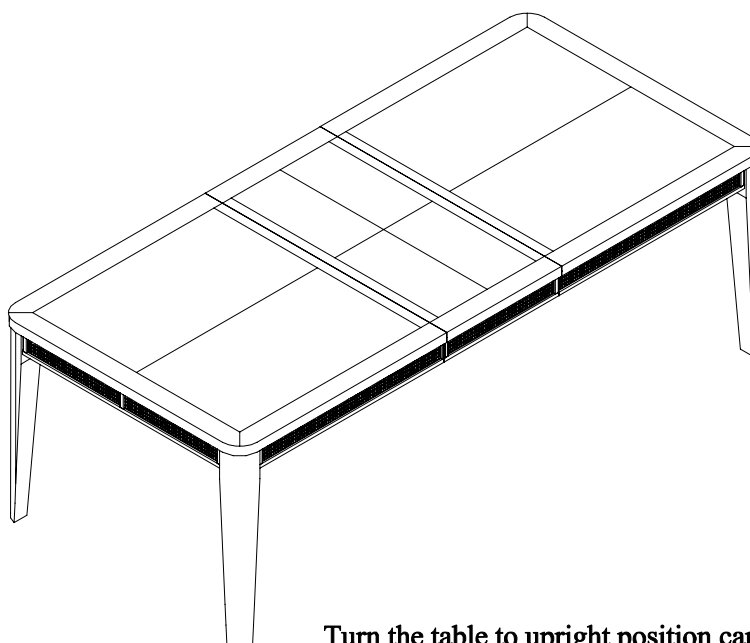
\*\*\*Caution: Please read all instructions carefully before starting the assembly process. These parts are cumbersome and heavy. Therefore, two people are recommended in order to prevent personal injury and ensure the parts are not damaged during the assembly

## STEP 2



Install the middle wing(2) with the top of the table

## STEP 3



Turn the table to upright position carefully.

This product is manufactured by HMIS for

**ROOMS TO GO** ▶