

# ASSEMBLY INSTRUCTION

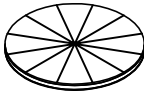

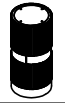

PULA: 3380-230 ROUND TABLE BASE  
PULA: 3380-231 ROUND TABLE TOP

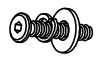

SKU: 42233801  
SKU: 42333803

This product is manufactured by PULA for **Rooms To Go**

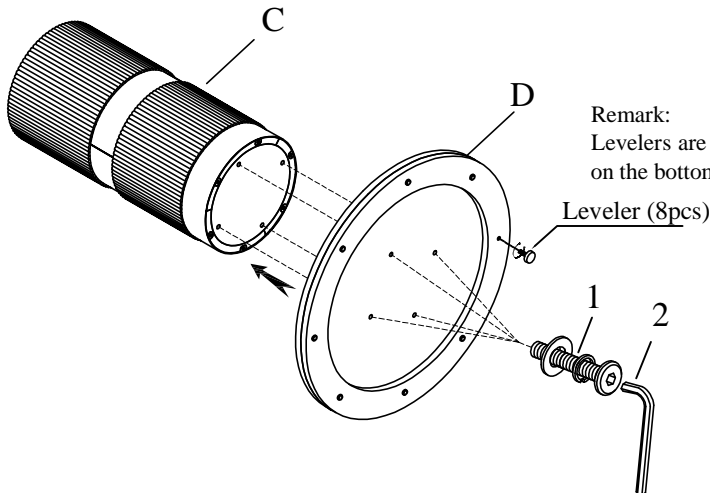
\*\*\* Caution: Please read all instructions carefully before starting the assembly process. These parts are cumbersome and heavy. Therefore, two people are recommended in order to prevent personal injury and ensure the parts are not damaged during the assembly.

\*\*\* Remark: DO NOT fully tighten all bolts until assembly is completed.

Code	PARTS LIST :		
A	Table Top		1Pc
B	Under Top		1Pc
C	Table Base		1Pc
D	Bottom Panel		1Pc

Code	HARDWARE LIST		
1	$\phi 5/16"$ x 19*2mm Flat Washer		12Pcs
	$\phi 5/16"$ Spring Washer		12Pcs
	$\phi 5/16"$ x 18 x 1-1/4" Allen Head Bolt		12Pcs
2	4mm Allen Key		1Pc

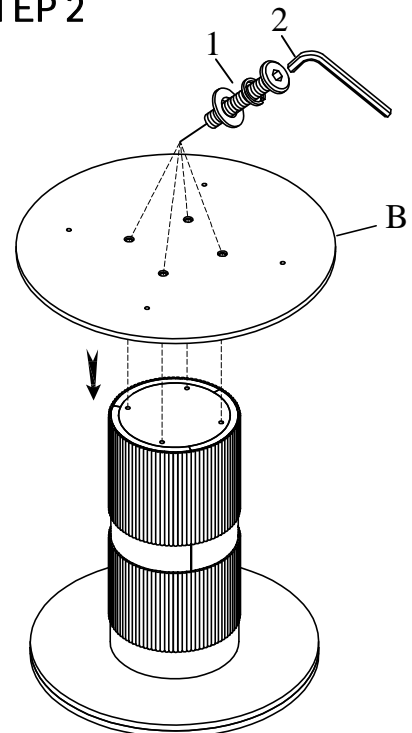
## STEP 1



Remark:  
Levelers are pre-installed  
on the bottom panel.

Leveler (8pcs)

## STEP 2



**Hardware Pack Location (s):**

3380-231 ROUND TABLE TOP , SKU: 42333803

## ASSEMBLY INSTRUCTION

PULA: 3380-230 ROUND TABLE BASE  
PULA: 3380-231 ROUND TABLE TOP

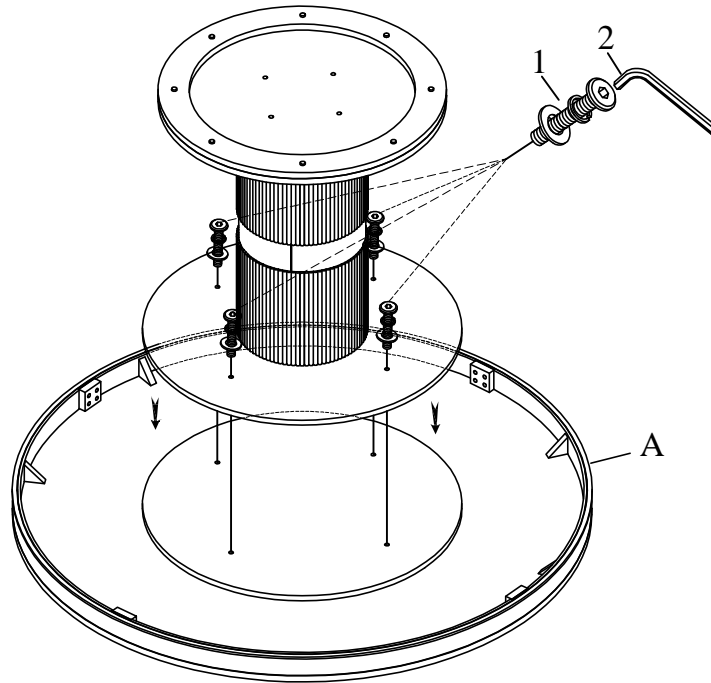
SKU: 42233801  
SKU: 42333803

This product is manufactured by PULA for Rooms To Go

\*\*\* Caution: Please read all instructions carefully before starting the assembly process. These parts are cumbersome and heavy. Therefore, two people are recommended in order to prevent personal injury and ensure the parts are not damaged during the assembly.

\*\*\* Remark: DO NOT fully tighten all bolts until assembly is completed.

### STEP 4



Complete

