





# ASSEMBLY INSTRUCTIONS

ITCO 4265- DLT 50" DROP LEAF TABLE SKU# 42042654

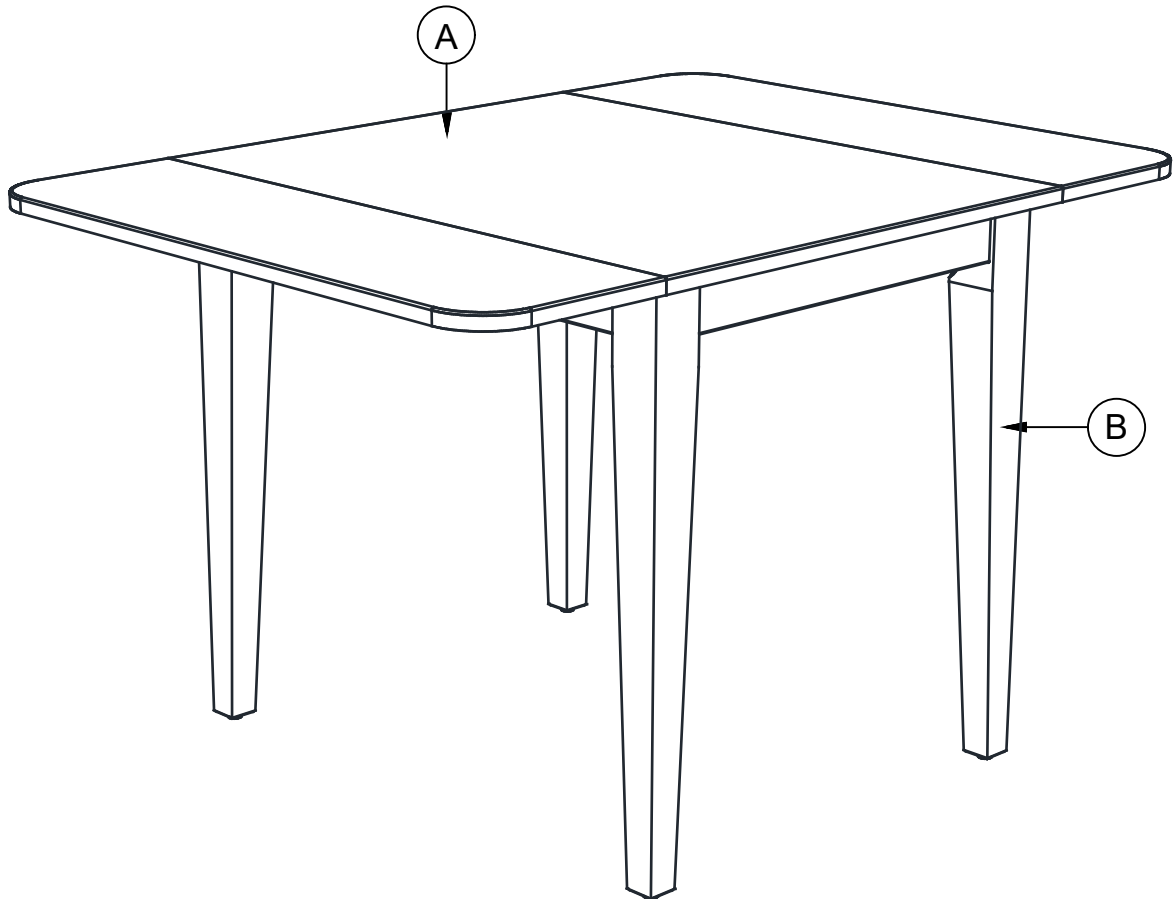
Manufactured for Rooms To Go.

Thank you for purchasing this quality product. Be sure to check all packing material for small parts which may have come loose inside carton during shipment. Identify and count all parts and compare with the hardware list as below:

	No.	Picture	Description	Dimension	Qty
Hardware List	①		JCBC (M8) with washer	8 x P1.0 x 60mm	8 Pcs
	②		Allen Key	M5	1 Pc

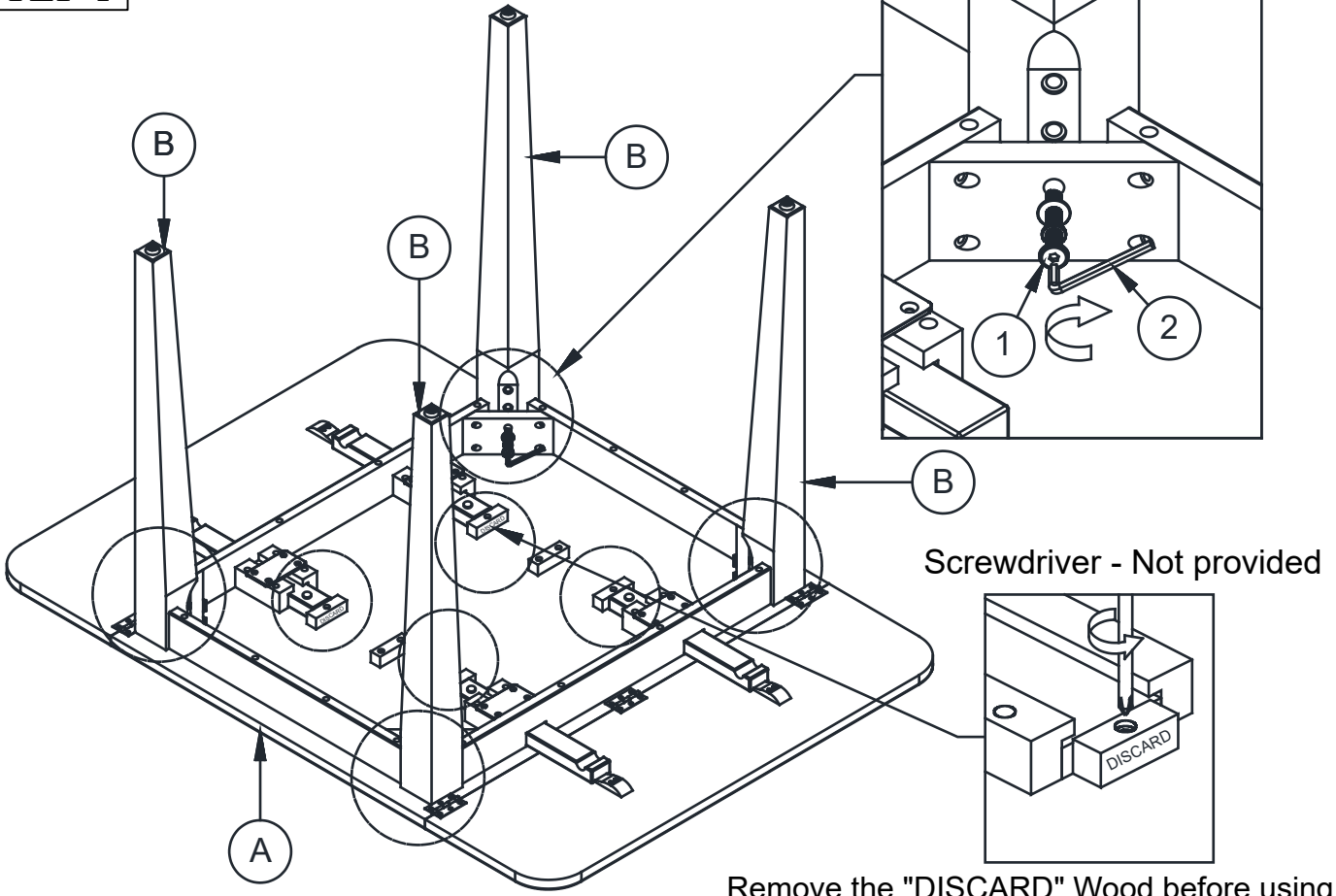
	No.	Description	Qty
Parts List	A	Table Top	1 Pc
	B	Table Legs	4 Pcs



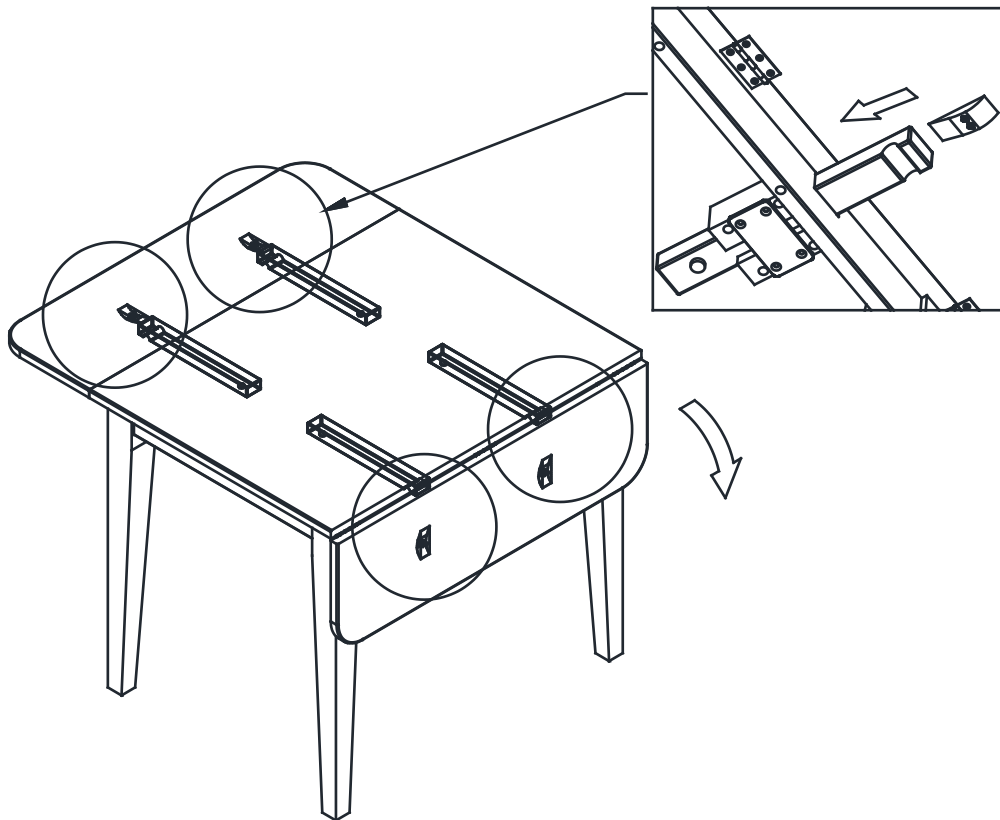
**PARTS DETAIL**

# Assembly steps

## STEP 1



## STEP 2

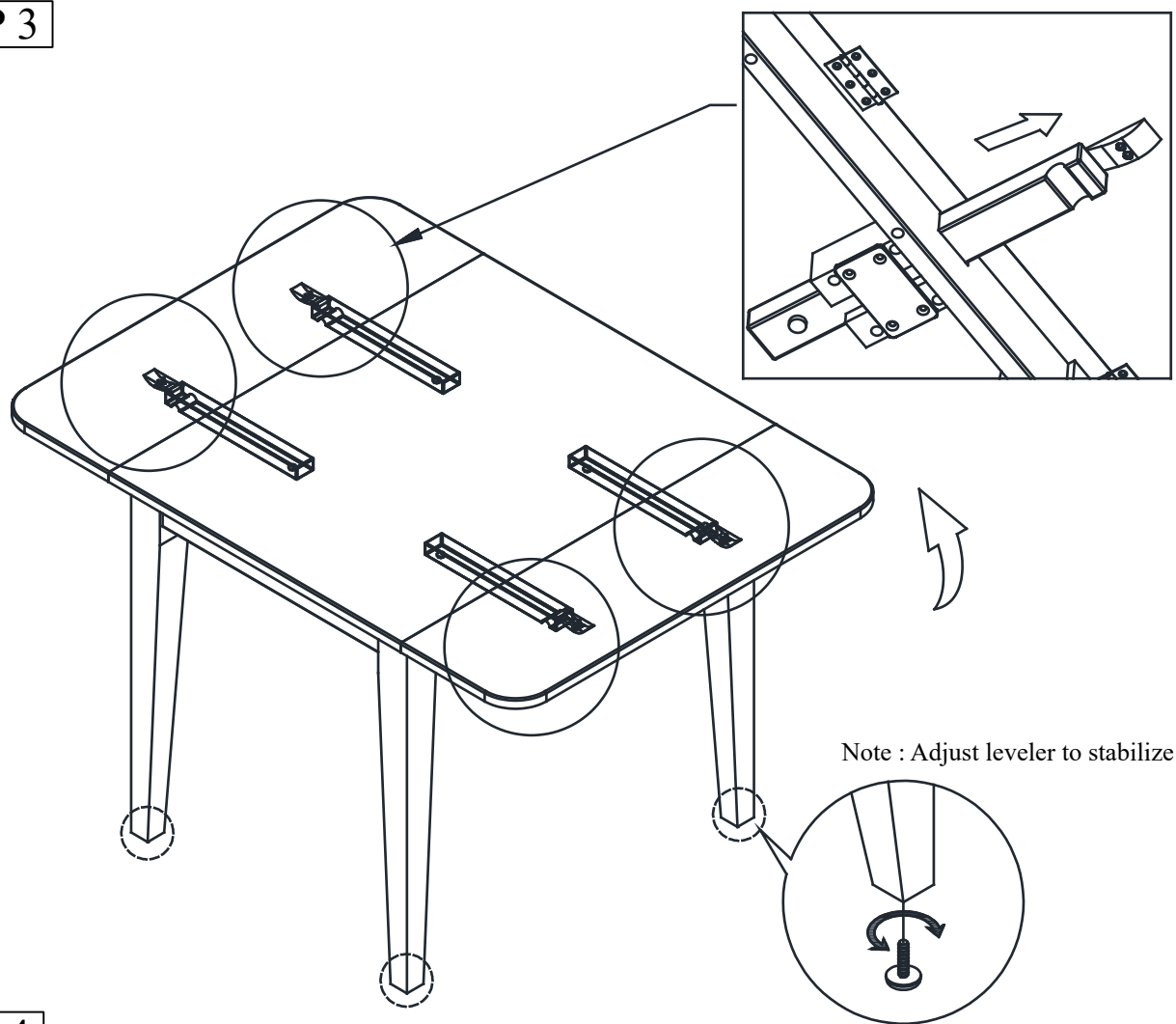


### NOTE :

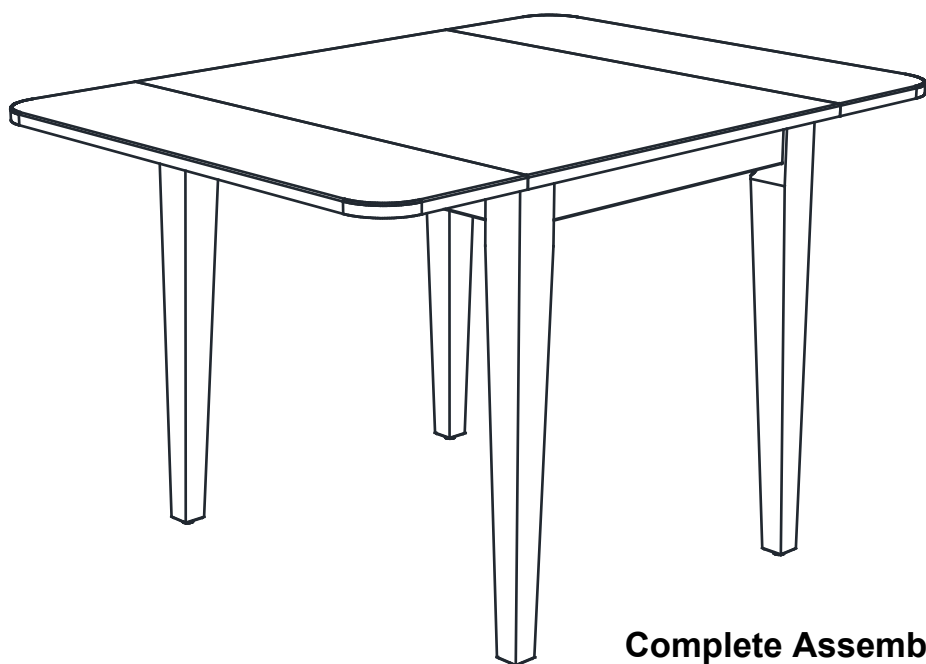
Make sure this product assemble on the flat and soft surface. Follow the instructions. Tighten all the nuts, bolts or screws firmly and make sure this product does not wobble before use.

## Assembly steps

### STEP 3



### STEP 4



**Complete Assemble**

#### NOTE :

Make sure this product assemble on the flat and soft surface. Follow the instructions. Tighten all the nuts, bolts or screws firmly and make sure this product does not wobble before use.