



# ASSEMBLY INSTRUCTIONS


MODEL : 5056-30ST HALF OVAL DINING TABLE



SKU# 42050562

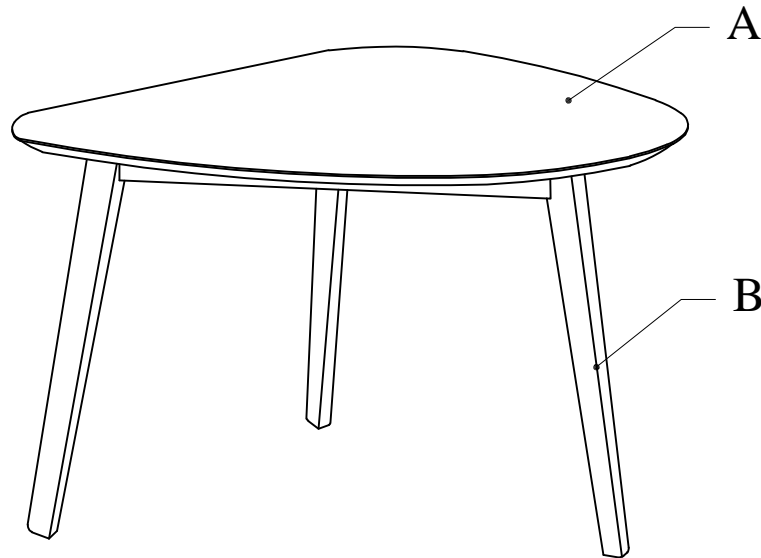
Manufactured by (AXEL) for Rooms To Go

Version 1 05/2025

Thank you for purchasing this quality product. Be sure to check all packing material carefully for small parts. Which may have come loose inside the carton during shipment. Identify and count all parts and compare with the hardware list as below :

	No.	Description	Dimension	Picture	Qty
Hardware List	①	Allen Wrench	M4 x 95mm		1 Pc

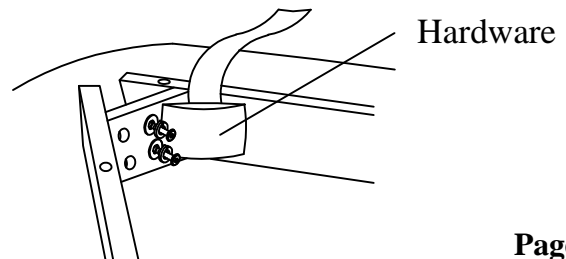
	No.	Description	Picture	Qty
Part List	A	Table Top		1 Pc
	B	Table Leg		3 Pcs



## PARTS DETAILS

### Hardware Pack Location(s) :

HALF OVAL DINING TABLE,  
SKU# 42050562

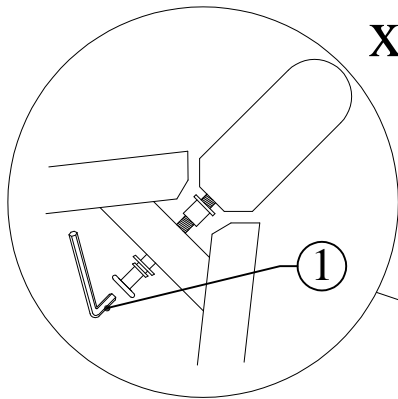


## Assembly step

### STEP 1

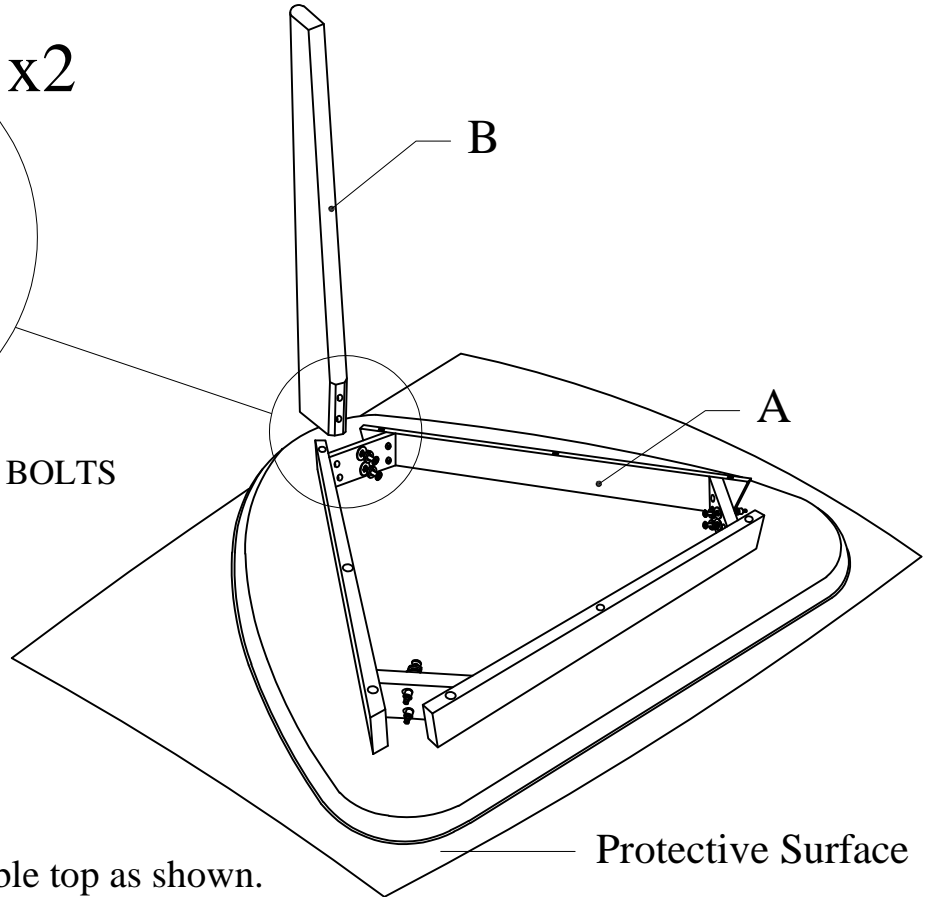
Attach the LEG to the table top as shown.

Do not tighten the screws until the table is fully assembled.



x2

PRE-ASSEMBLED CAPTURE BOLTS



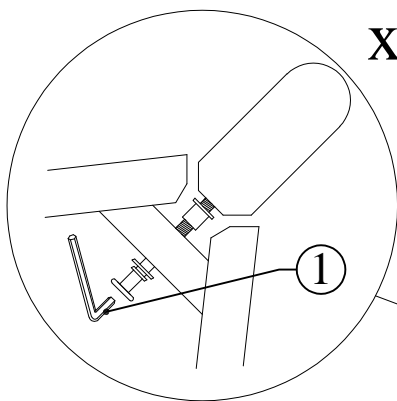
Protective Surface

### STEP 2

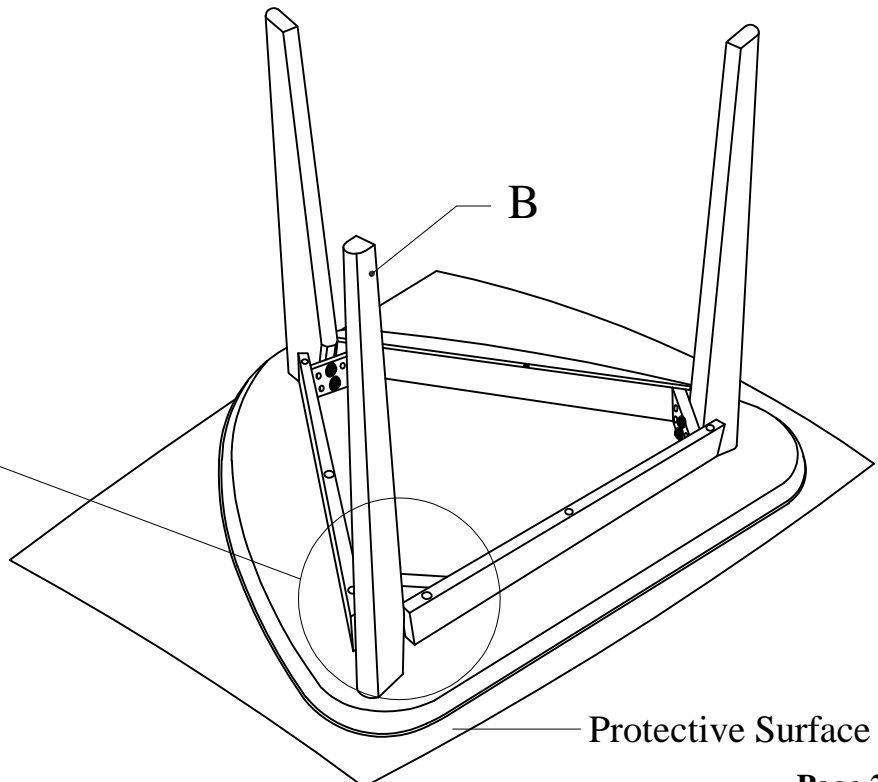
Attach another 2 legs to the table top as shown.

Tighten all the screws.

Assemble Complete.



x4



Protective Surface

#### NOTE:

To ensure that Table is level, assemble the Table on flat & soft surface. DO NOT tighten all the screw & bolts until the Table been adjust & level all the legs so that they do not wobble. Once adjusted then only tighten all the screw using Allen Key while making sure that the unit remain level.