
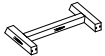


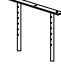

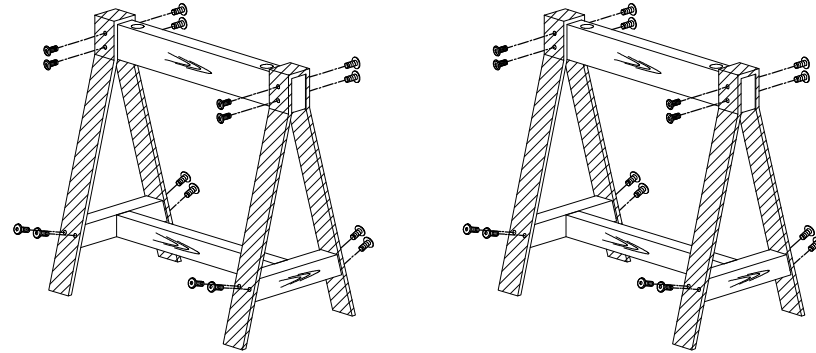


**PART LIST:**





PACKAGE	DESCRIPTION	PART PHOTO	QTY	PACKAGE	DESCRIPTION	PART PHOTO	QTY
1/1	TOP BOARD		1PC				
	BASE FRAME		2PCS				
	WOODEN CONNECTING ROD		2PCS				
	LEGS		2PCS				
	ERECTOR		2PCS				
	HARDWARE		1PC				

**STEP 1**

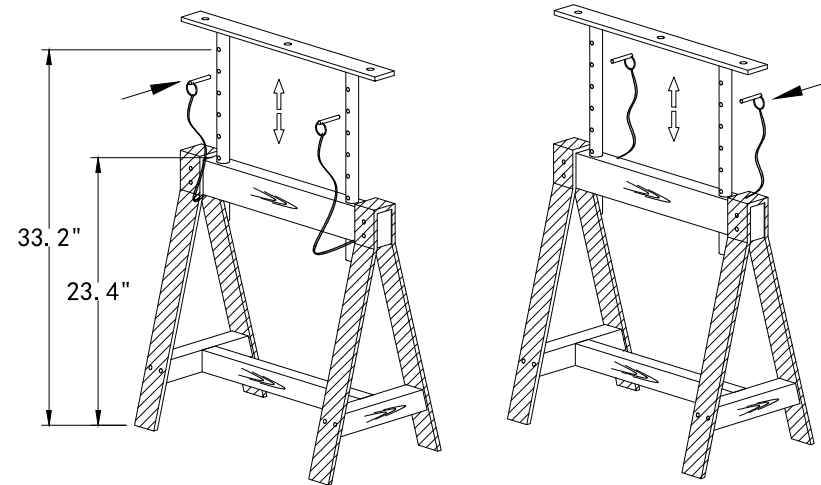
(M6\*20  32PCS)  
( $\phi$ 4  1PC )





**HARDWARE LIST:**

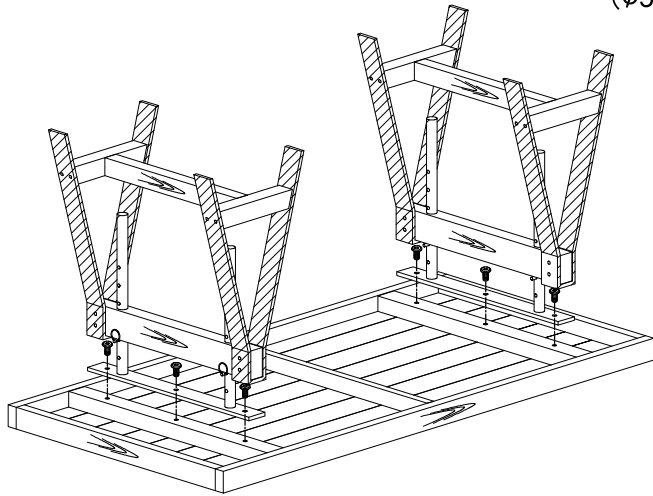
PACKAGE	DESCRIPTION	PART PHOTO	QTY	PACKAGE	DESCRIPTION	PART PHOTO	QTY
1/1	SCREW (M6*20)		32PCS				
	SCREW (M8*20)		6PCS				
	ALLEN KEY ( $\phi$ 4)		1PC				
	ALLEN KEY ( $\phi$ 5)		1PC				

**STEP 2**



## STEP 3

(M8\*20  6PCS)  
( $\phi$ 5  1PC )



## FINISH

