

# Assembly Instruction

## Instructions d'assemblage

HOUS


1191-4066

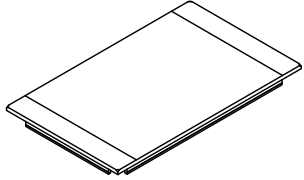
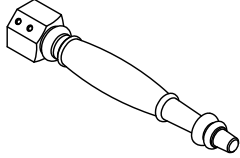
RECT DINING TABLE

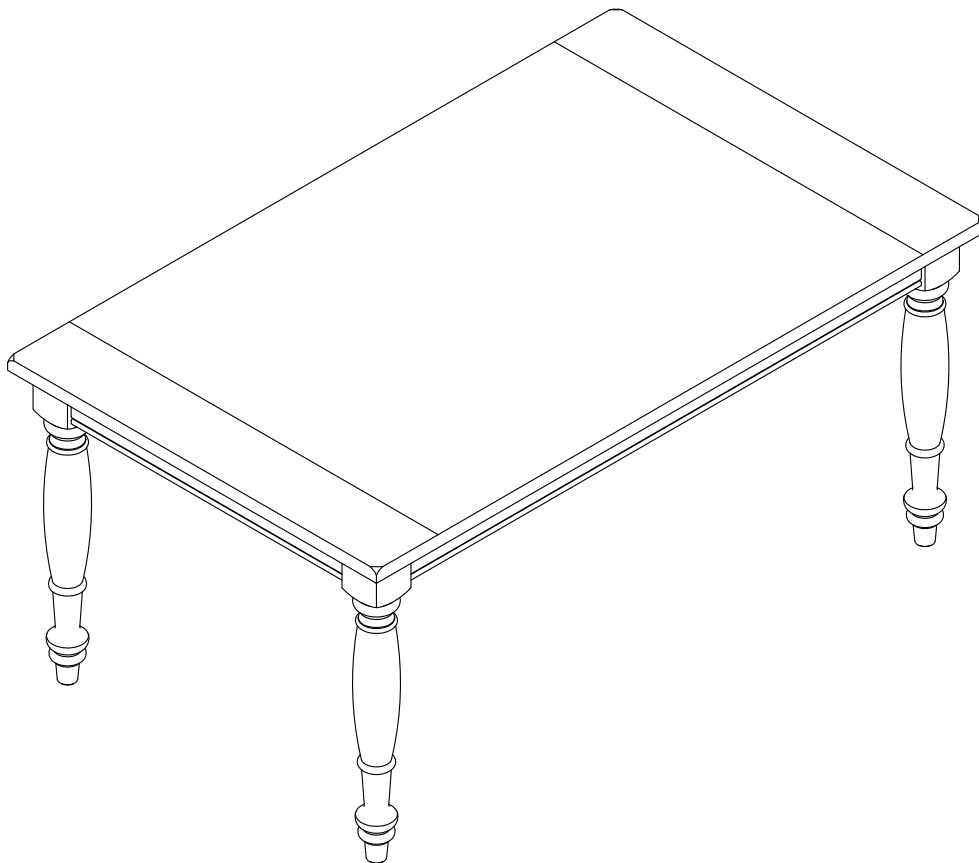
SKU# 42111916

Version 1 - 2024/08/22

**WARNING: To avoid alignment issue, please don't tighten the screws unless all legs are adjusted at the same level.**

Step	Code	Hardware	QTY
	<b>A</b>	Allen Key 4mm Clé Allen 4mm 	1 PC 1 Pièce

	Part List	QTY
<b>B</b>	Table Top Dessus de table 	1 PC 1 Pièce
<b>C</b>	Legs Pied 	4 PCS 4 Pièces



ASSEMBLY COMPLETED

Hardware Pack Location (s):

1191-4066

RECT DINING TABLE

SKU# 42111916

**\*\*\*Caution: Please read all instructions carefully before starting the assembly process. These parts are cumbersome and heavy. Therefore, two people are recommended in order to prevent personal injury and insure the parts are not damaged during the assembly.**

**\*\*\*Avertissement: veuillez lire toutes les instructions attentivement avant de commencer l'assemblage. Ces pièces sont encombrantes et lourdes. Il est recommandé d'être deux personnes pour l'assemblage afin de prévenir des blessures et/ou risquer d'endommager les pièces.**

**STEP 1**  
**ÉTAPE 1**

