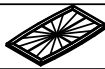


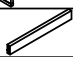


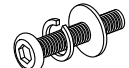

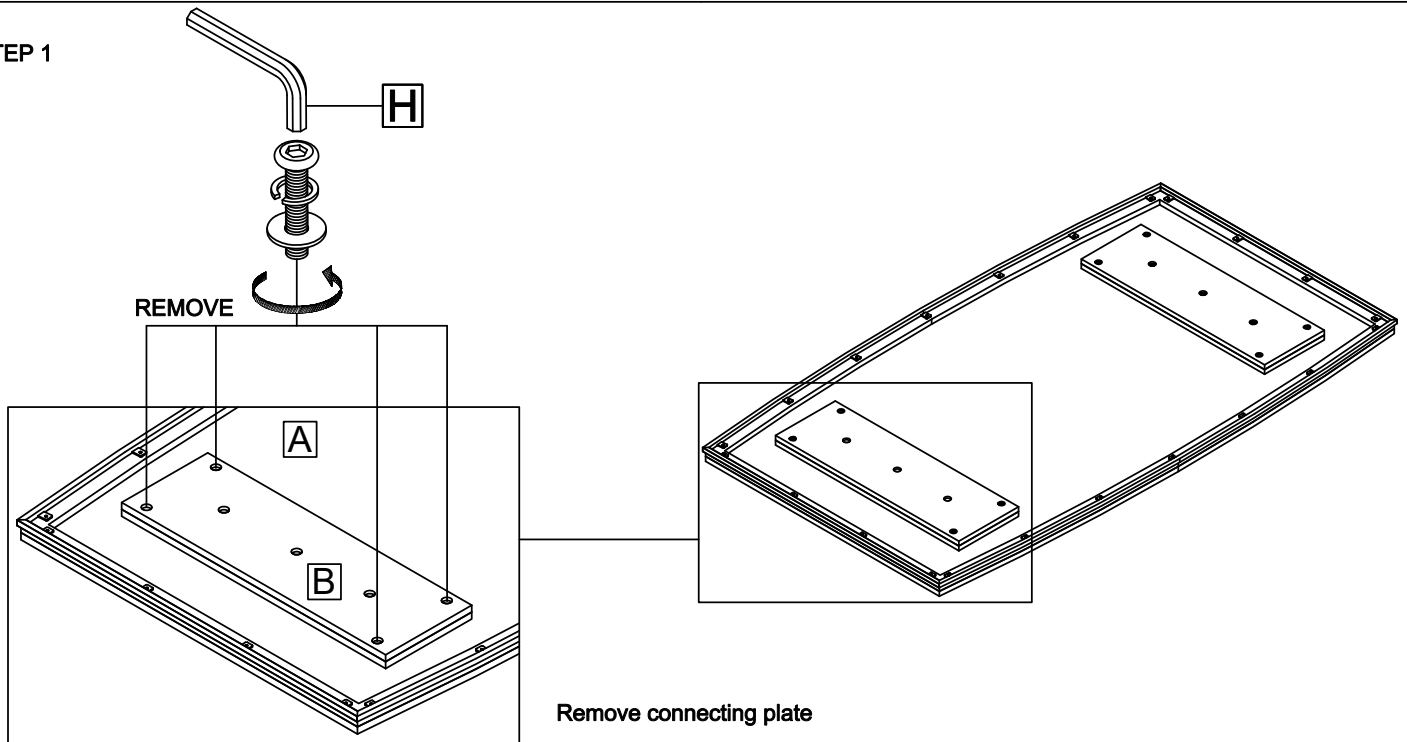


***Caution: Please read all instructions carefully before starting the assembly process. These parts are cumbersome and heavy. Therefore, two people are recommended in order to prevent personal injury and insure the parts are not damaged during the assembly

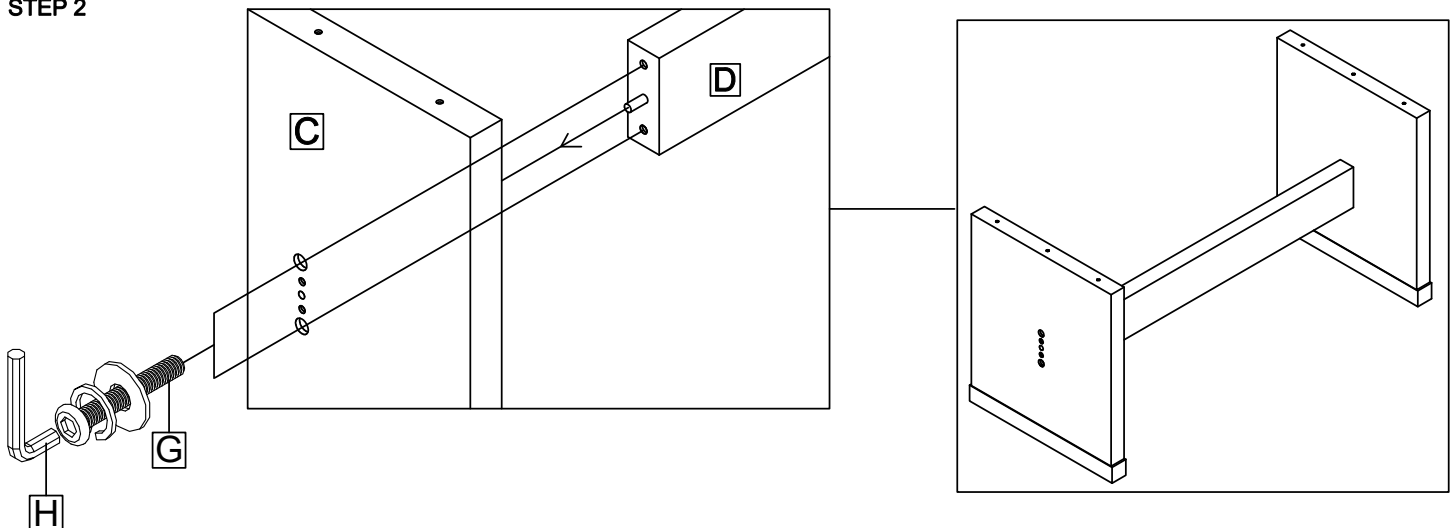
Code	PARTS LIST		
A	Table Top		1Pc
B	Connecting Plate		2Pcs
C	Table Base		2Pcs
D	Connecting Leg 1		1Pc
E	Connecting Leg 2		2Pcs

Step	Code	Hardware List		
3	F	Allen Bolt - Ø1/4x20x38mm		6Pcs
		Flat washer - Ø1/4x19x1.5mm		6Pcs
		Lock washer - Ø1/4		6Pcs
2	G	Allen Bolt - Ø1/4x20x64mm		4Pcs
		Flat washer - Ø1/4x19x1.5mm		4Pcs
		Lock washer - Ø1/4		4Pcs
1-2-3-4	H	Allen Key - 4mm		1Pc

STEP 1

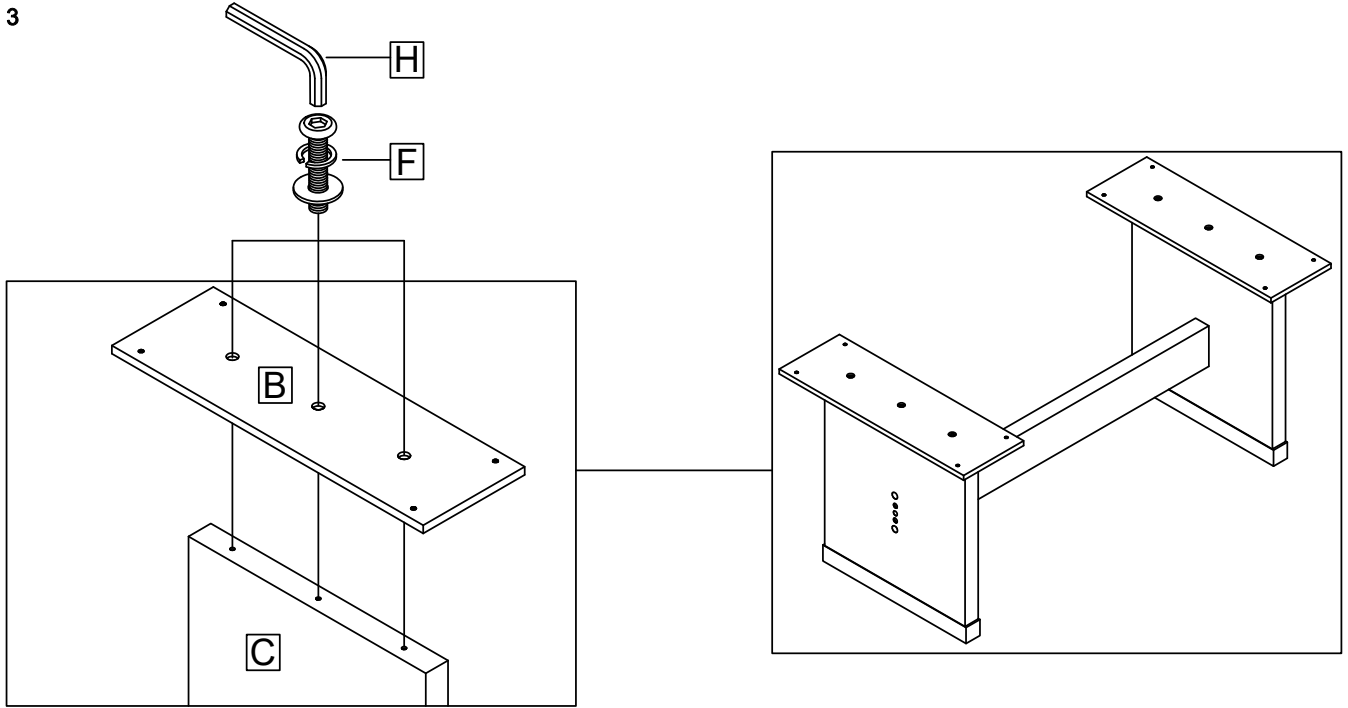


STEP 2



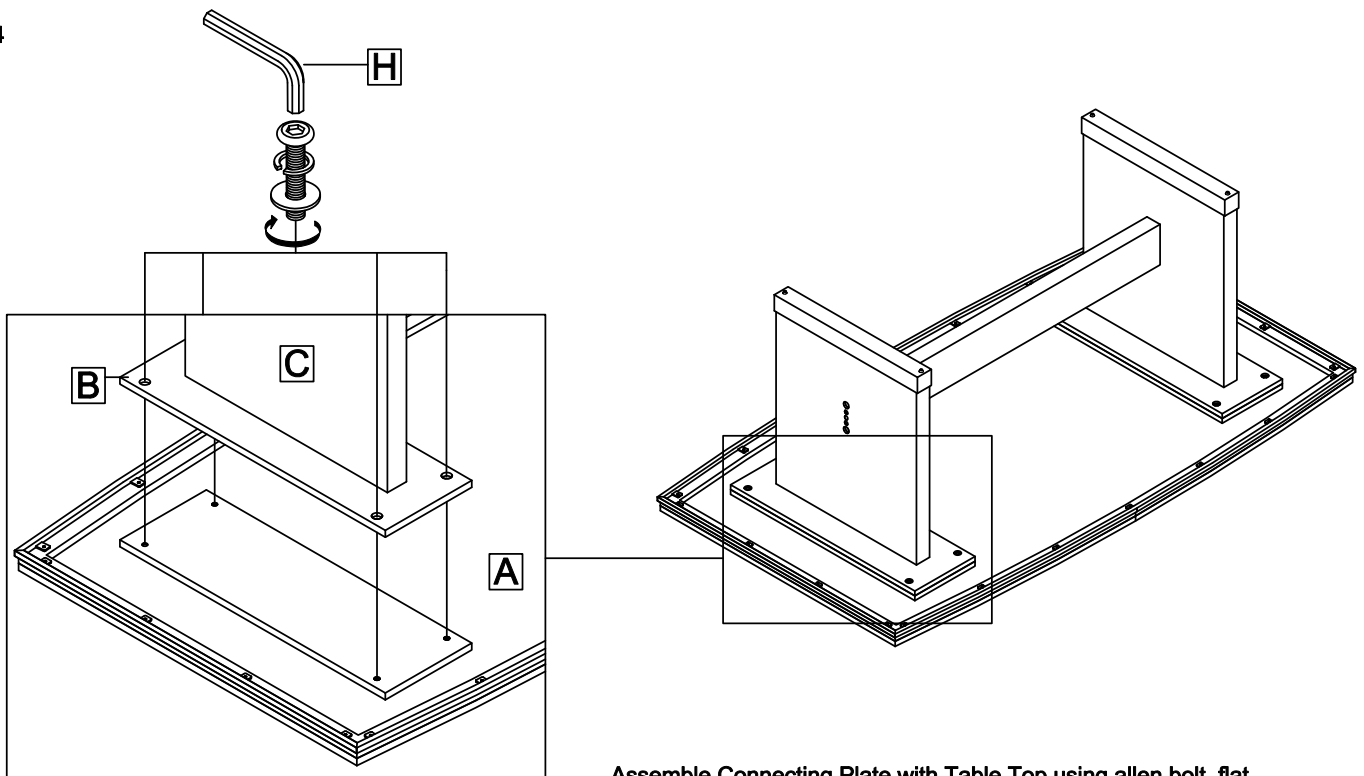
***Caution: Please read all instructions carefully before starting the assembly process. These parts are cumbersome and heavy. Therefore, two people are recommended in order to prevent personal injury and insure the parts are not damaged during the assembly

STEP 3



Assemble Connecting Plate with Table Base.

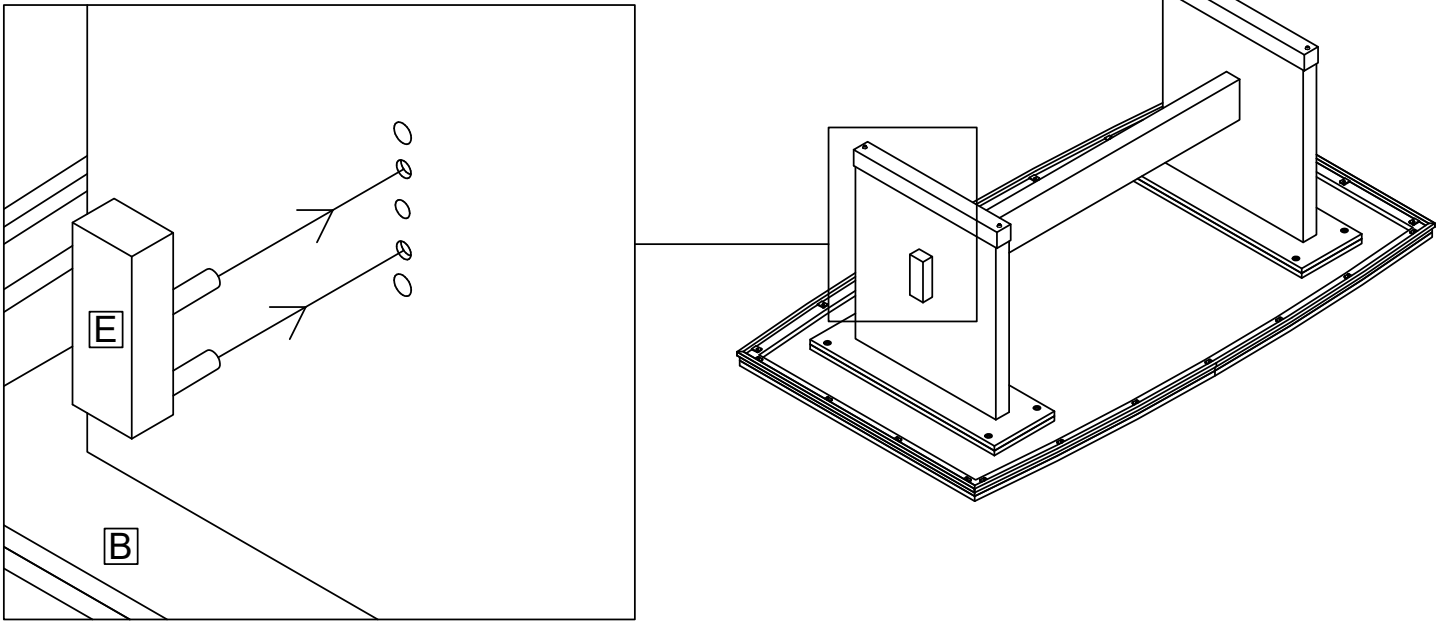
STEP 4



Assemble Connecting Plate with Table Top using allen bolt, flat washer, lock washer remove from step 1.

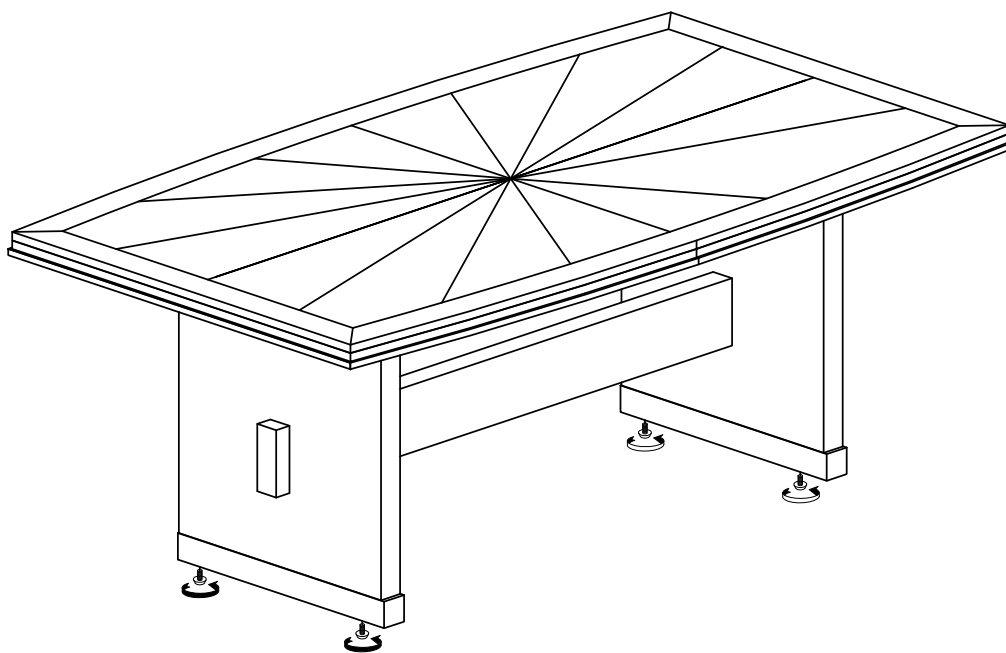
***Caution: Please read all instructions carefully before starting the assembly process. These parts are cumbersome and heavy. Therefore, two people are recommended in order to prevent personal injury and insure the parts are not damaged during the assembly

STEP 5



Assemble Connecting Leg 2 with Table Base.

STEP 6



Adjust levelers