



ASSEMBLY INSTRUCTION

TLCH TLC-T2208 GATHERING TBL

Manufactured by TLCH for Rooms To Go

SKU#42122084

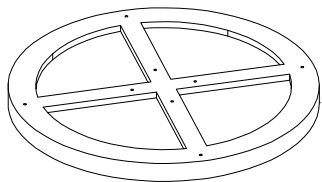
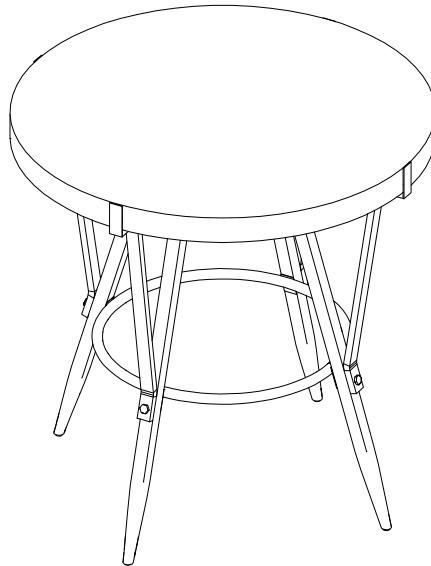
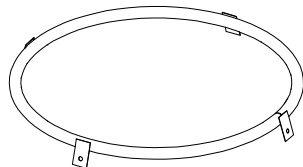


Table Top
A×1PC



Stretcher
B×1PC

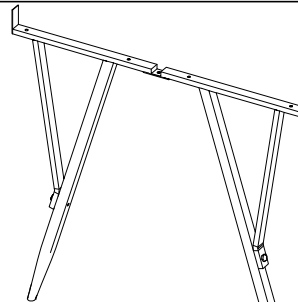


Table Leg A
C×1PC

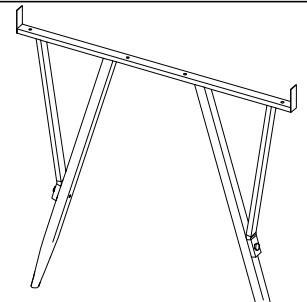
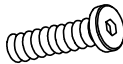





Table Leg B
D×1PC

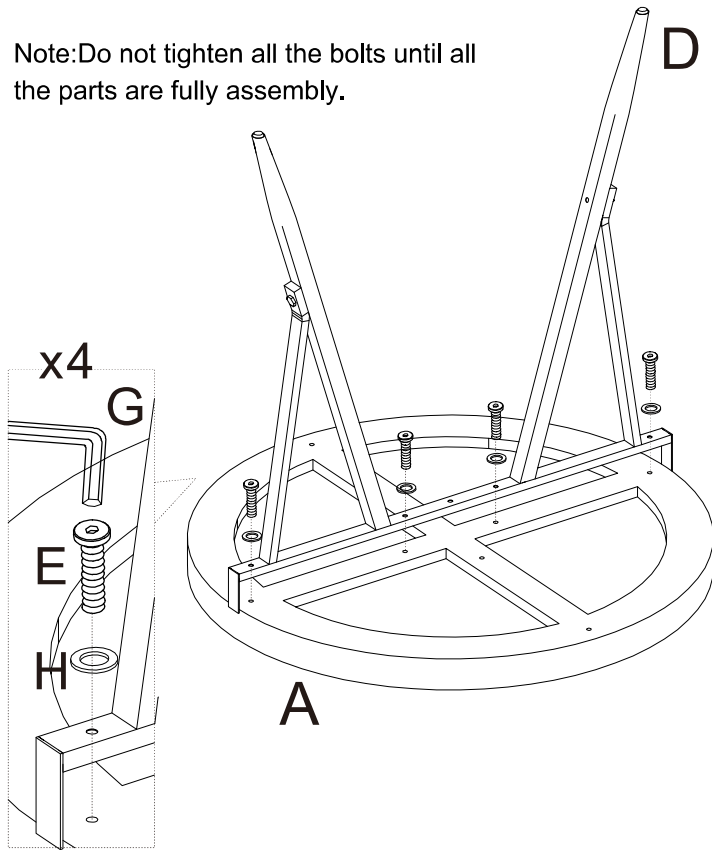
HARDWARE LIST

NO	Description	Sketch	Quantity
E	Bolt 1/4"X20X1"		8
F	Bolt 1/4"X20X9/16"		5
G	Allen Wrench Φ5/32"		1
H	Plate Φ9/16"		8

Step 1

Attach the table leg D to the table top.

Note: Do not tighten all the bolts until all the parts are fully assembly.

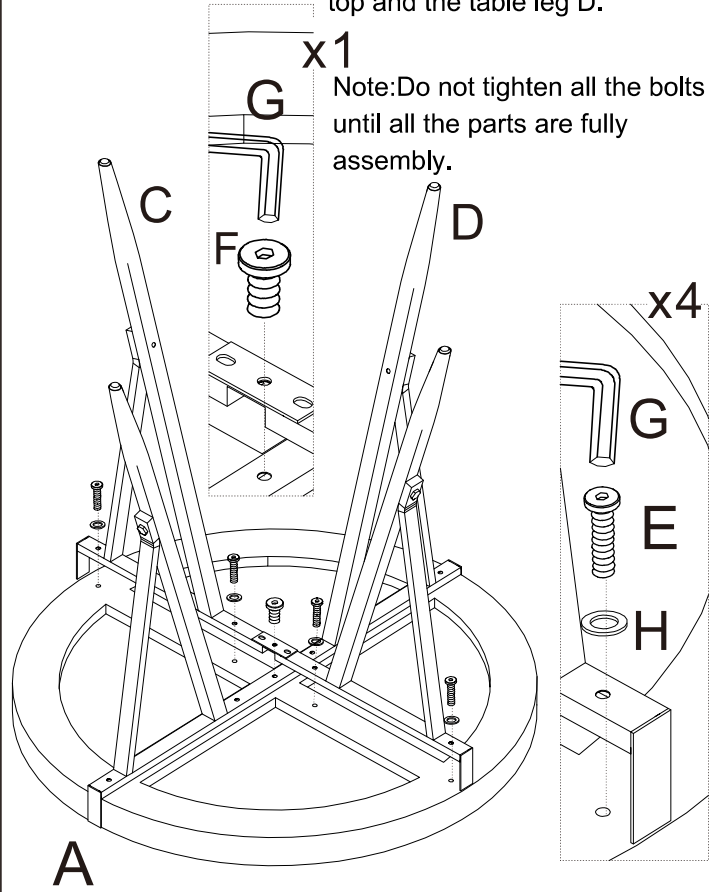


Step 2

Attach the table leg C to the table top and the table leg D.

x1

Note: Do not tighten all the bolts until all the parts are fully assembly.



Step 3

Attach the stretcher to the table legs.

