

# ASSEMBLY INSTRUCTION

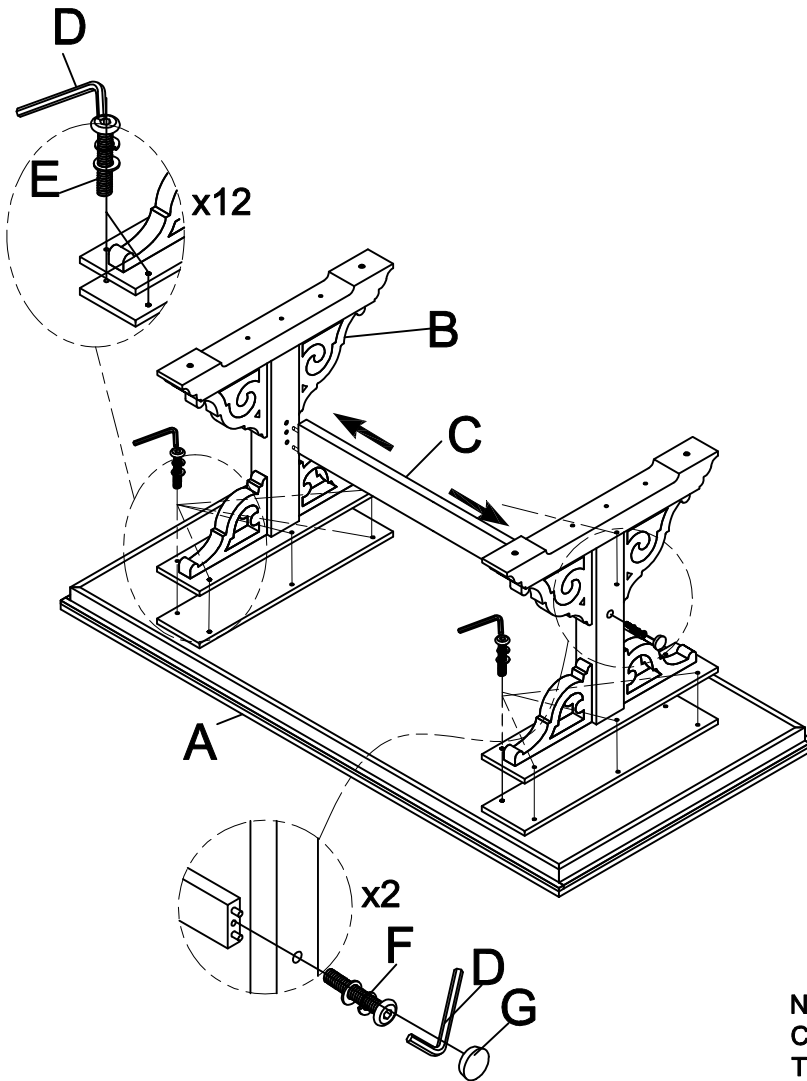
EMRI 2581-39 SKU # 43125815  
 TRESTLE GATHERING TABLE  
 EMRI 2581-59 SKU # 42125814  
 TRESTLE DINING TABLE

Thank you for purchasing this product. Be sure to check all packing materials carefully for small parts that may have come loose inside the carton during shipment.

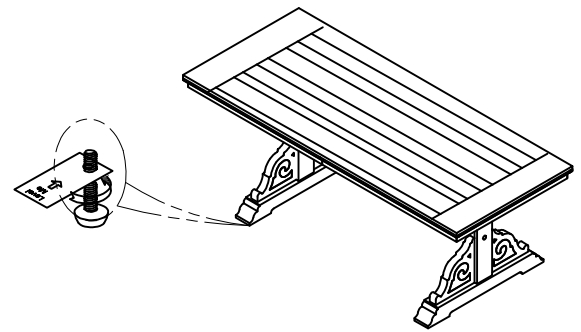
**Before You Assemble:** Please read all instructions carefully before beginning assembly. It is recommended that 2 people work together during assembly to prevent personal injury and to ensure that heavy or cumbersome parts are not damaged during the process.

**CAUTION:** For your safety, this product requires two people to lift.

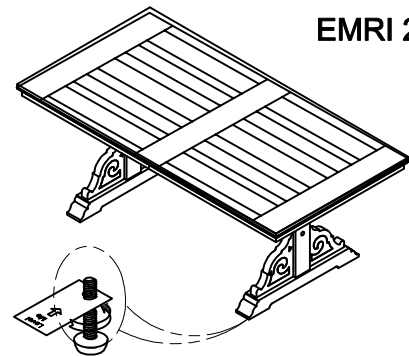
## STEP1





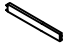
EMRI 2581-39







EMRI 2581-59



**NOTE :** WAIT TO TIGHTEN ALL COMPONENTS COMPLETELY UNTIL UNIT IS FULLY ASSEMBLED. THIS WILL ALLOW FOR EASIER ASSEMBLY.

PICTURE	DESCRIPTION	Q'TY
A 	TABLE TOP EHF # N/A	1pc
B 	LEG ASSEMBLY EHF # N/A	2pcs
C 	CENTER CROSS RAIL EHF # PD581- STR	1pc

PICTURE	DESCRIPTION	Q'TY
D 	ALLEN KEY 20*60*4mm EHF # HDWR	1pc
E 	BOLT 5/16*18* 1 3/4" EHF # HDWR	12pcs
F 	BOLT 5/16*18* 3 1/2" EHF # HDWR	2pcs
G 	DOWEL EHF # HDWR	2pcs