



ASSEMBLY INSTRUCTIONS

MODEL : 4733-30/36 DROP LEAF DINING / COUNTER HEIGHT TABLE

SKU# 42147339, 43147354

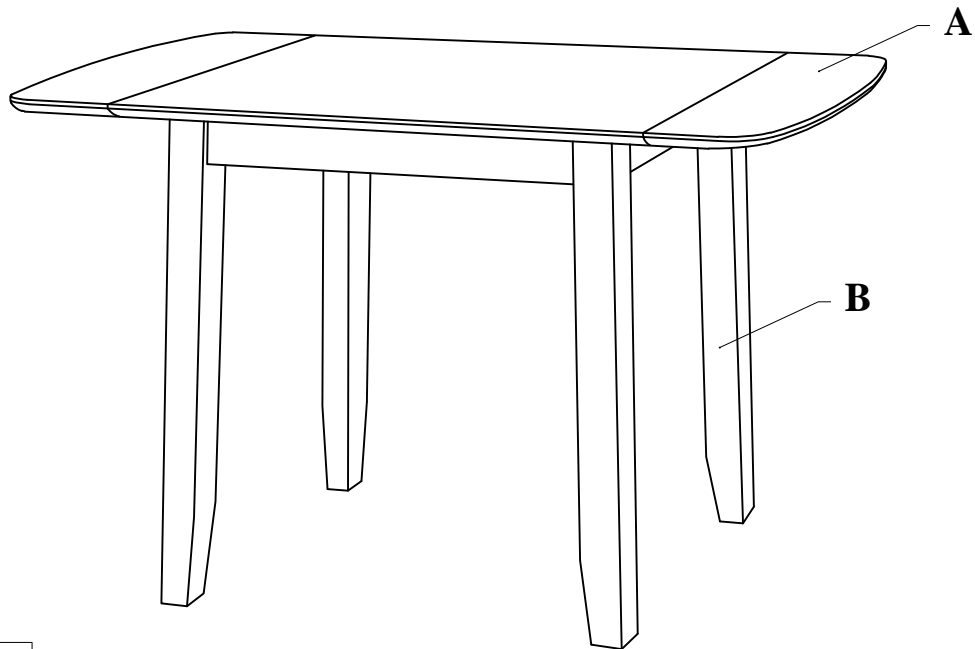
Manufactured by (AXEL) for Rooms To Go

Version 1 08/2024

Thank you for purchasing this quality product. Be sure to check all packing material carefully for small parts. Which may have come loose inside the carton during shipment. Identify and count all parts and compare with the hardware list as below :

	No.	Description	Dimension	Picture	Qty
Hardware List	①	JCBB M8	8 x P1.25 x 80mm [Length]		8 Pcs
		Spring Washer	M8 x 14mm		8 Pcs
		Flat Washer	M8 x 22mm		8 Pcs
	②	Allen Wrench	M4 x 95mm		1 Pc

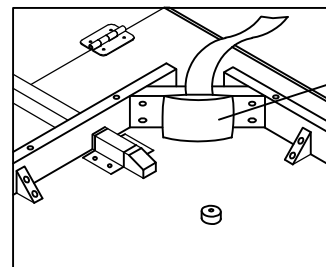
	No.	Description	Picture	Qty
Parts List	A	Table Top With Drop Leaf		1 Pc
	B	Table Leg		4 Pcs



PARTS DETAILS

Hardware Pack Location(s) :

DROP LEAF DINING TABLE ,
SKU# 42147339
DROP LEAF COUNTER HEIGHT TABLE ,
SKU# 43147354

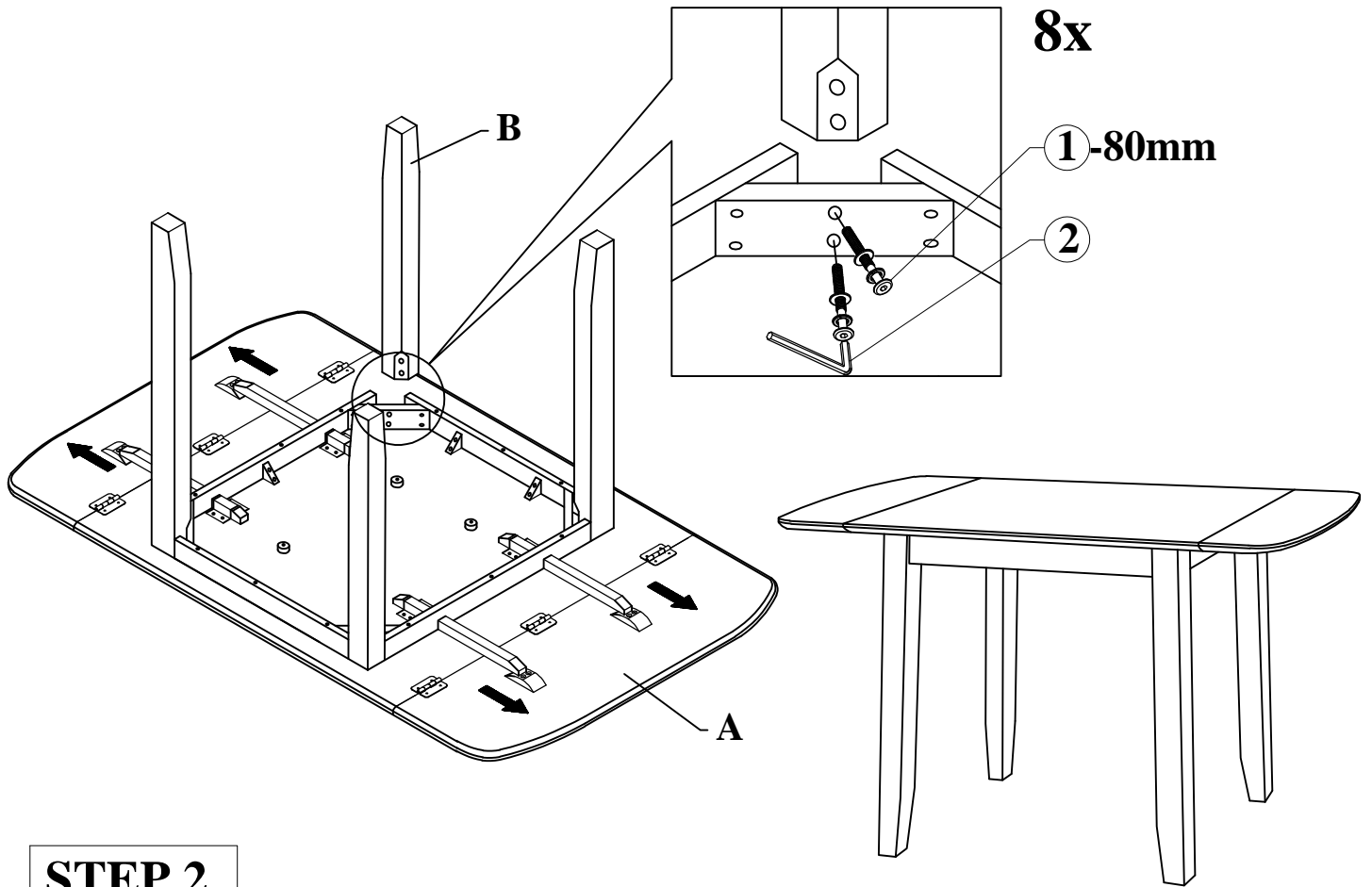


Hardware

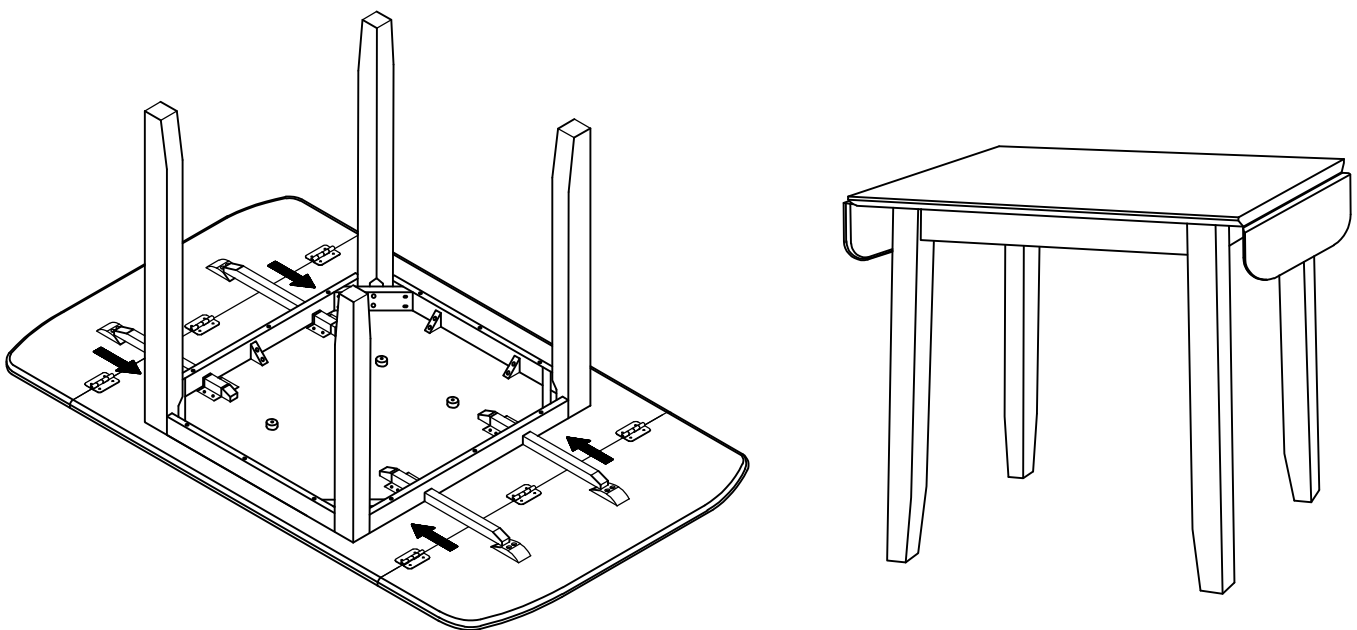
Assembly step

STEP 1

Assemble Leg Table to Table Top Corner Block as illustration shown.



STEP 2



NOTE:

To ensure that table is level, assemble the table on flat & soft surface. DO NOT tighten all the screw & bolts until the table been adjust & level all the leg so that they do not wobble. Once adjusted then only tighten all the screw.