


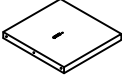

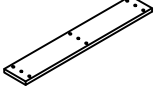
ASSEMBLY INSTRUCTIONS





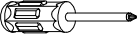
HILB

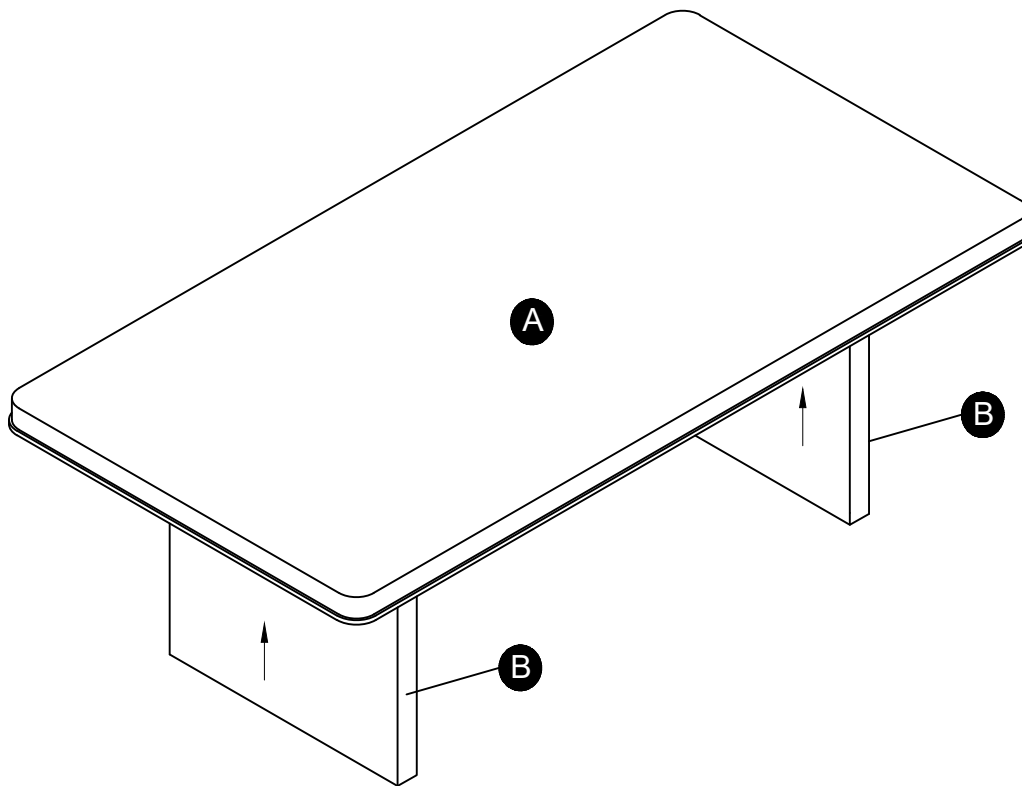
5449-835
5449-810

COUNTER HEIGHT DINING TABLE - SKU : 43154498
DINING TABLE - SKU : 42154497

Thank you for purchasing this quality product. Be sure to check all packing materials carefully for small parts which may have come loose inside the carton during shipment. Identify and count all parts and compare with the parts list below.

COMPONENT LIST			
NO.	Description	Sketch	Q'TY
A	Table top		1pc
B	Table Leg		2pcs
C	Center Support		1pc
D	Top Support		2pcs

HARDWARE LIST				
NO.	Picture	Description	Dimension	Q'TY
1		Flat Washer	1/4"*16*2mm	4 pcs
		Spring Washer	1/4"*12*2mm	4 pcs
		Bolt	1/4"*20*15mm	4 pcs
2		Flat Washer	5/16"*19*2mm	18 pcs
		Spring Washer	5/16"*12*2mm	18 pcs
		Bolt	5/16"*18*32mm	18 pcs
3		Allen Key	4mm	1 pc
4		L-Bracket	32*20*16mm	2 pcs
5		Tool Required(not provided)		



Hardware pack locations

5449-835
5449-810

COUNTER HEIGHT DINING TABLE - SKU : 43154498
DINING TABLE - SKU : 42154497

PARTS DETAILS

This product is manufactured by HILB for **ROOMS TO GO** 

ASSEMBLY INSTRUCTIONS

HILB

5449-835

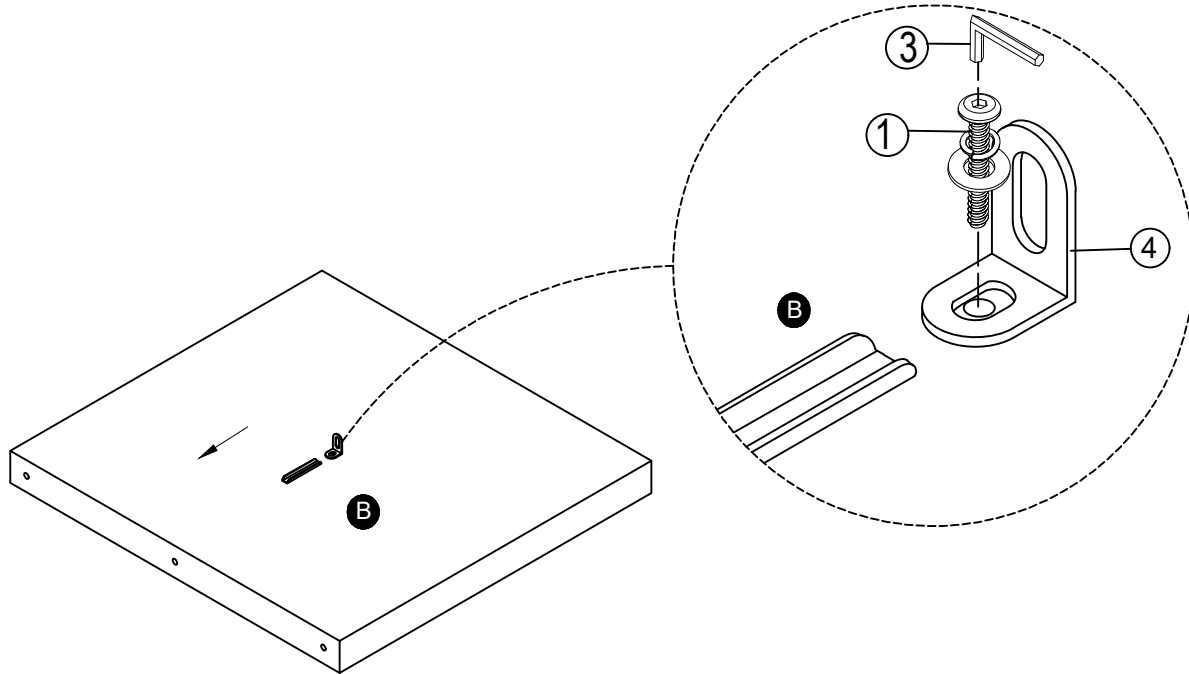
COUNTER HEIGHT DINING TABLE - SKU : 43154498

5449-810

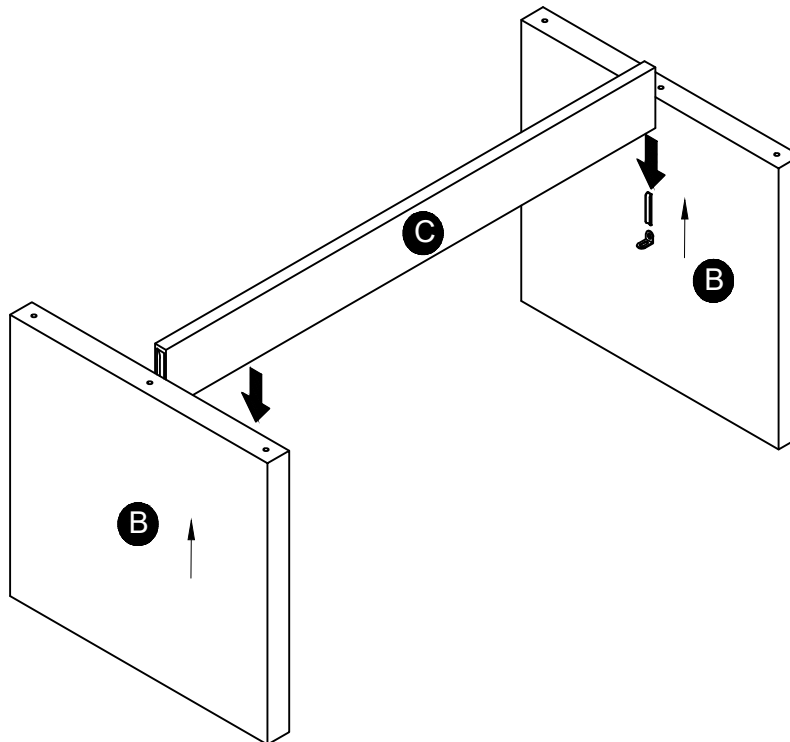
DINING TABLE

- SKU : 42154497

STEP 1: Attach the L-Bracket (4) to Table Legs (B), secure with Flat Washers, Spring Washers and Bolts (1) by using Allen Key (3).



STEP 2: Attach the Center Support (C) to Table Legs (B)



This product is manufactured by HILB for

ROOMS TO GO®

ASSEMBLY INSTRUCTIONS

HILB

5449-835

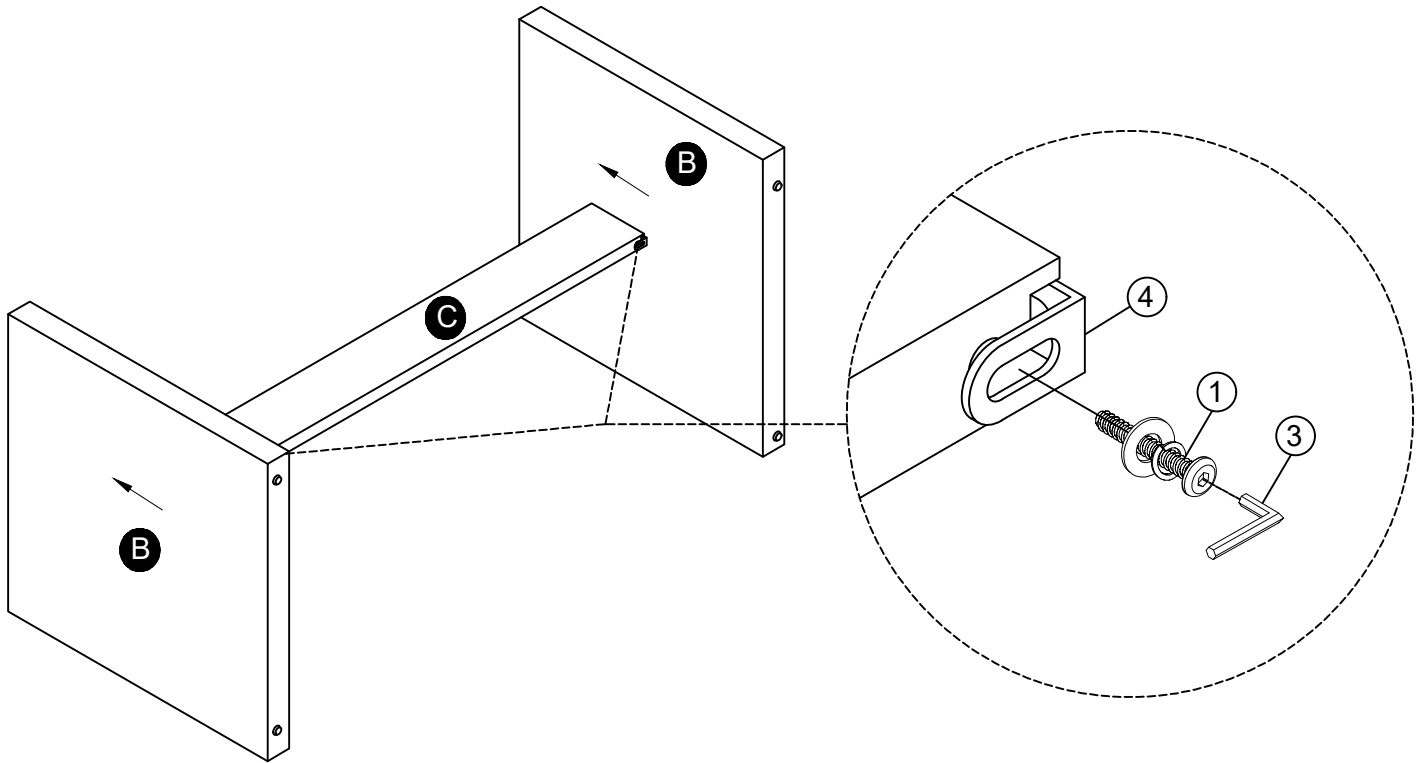
COUNTER HEIGHT DINING TABLE - SKU : 43154498

5449-810

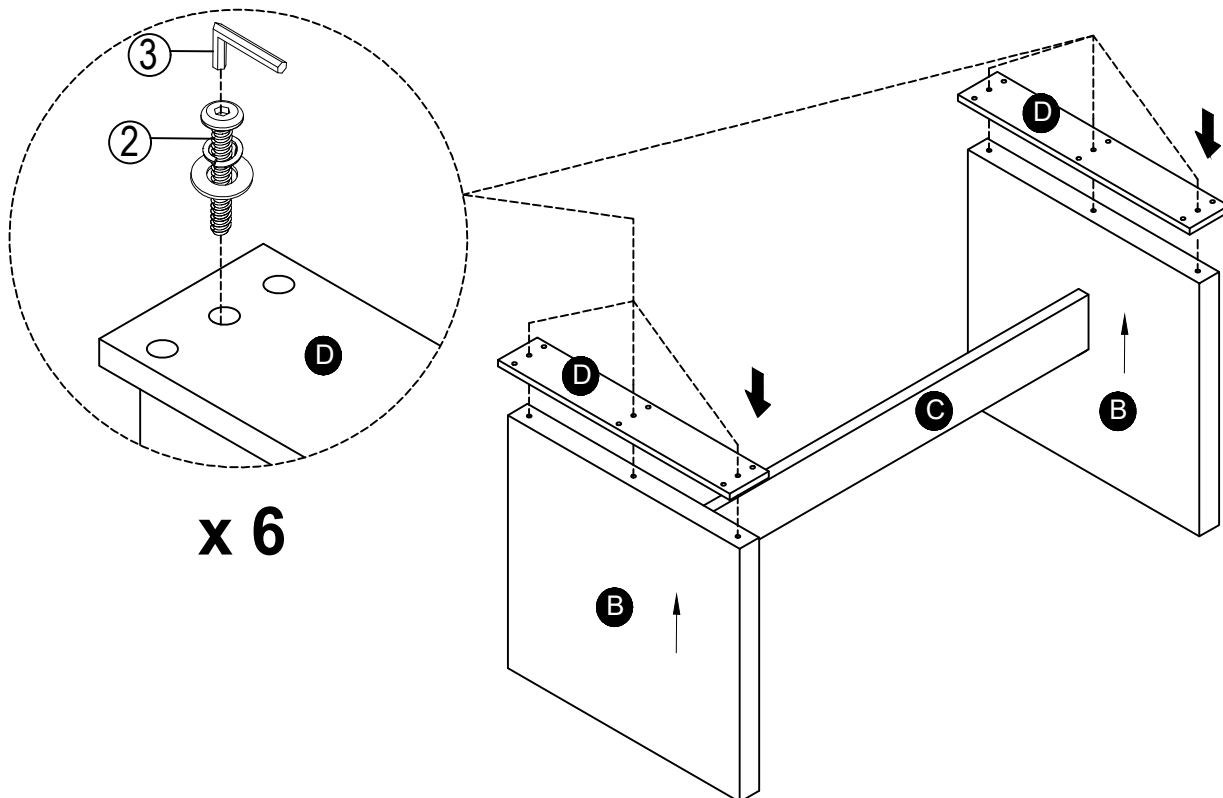
DINING TABLE

- SKU : 42154497

STEP 3: Using L-Bracket (4), secure the Center Support (C) to Table Legs (B) using flat washers, spring washers, bolts (1) and Allen key (3).



STEP 4: Attach the Top Support (D) to Table Leg (B) secure with Flat Washers, Spring Washers and Bolts (2) by using Allen Key (3).



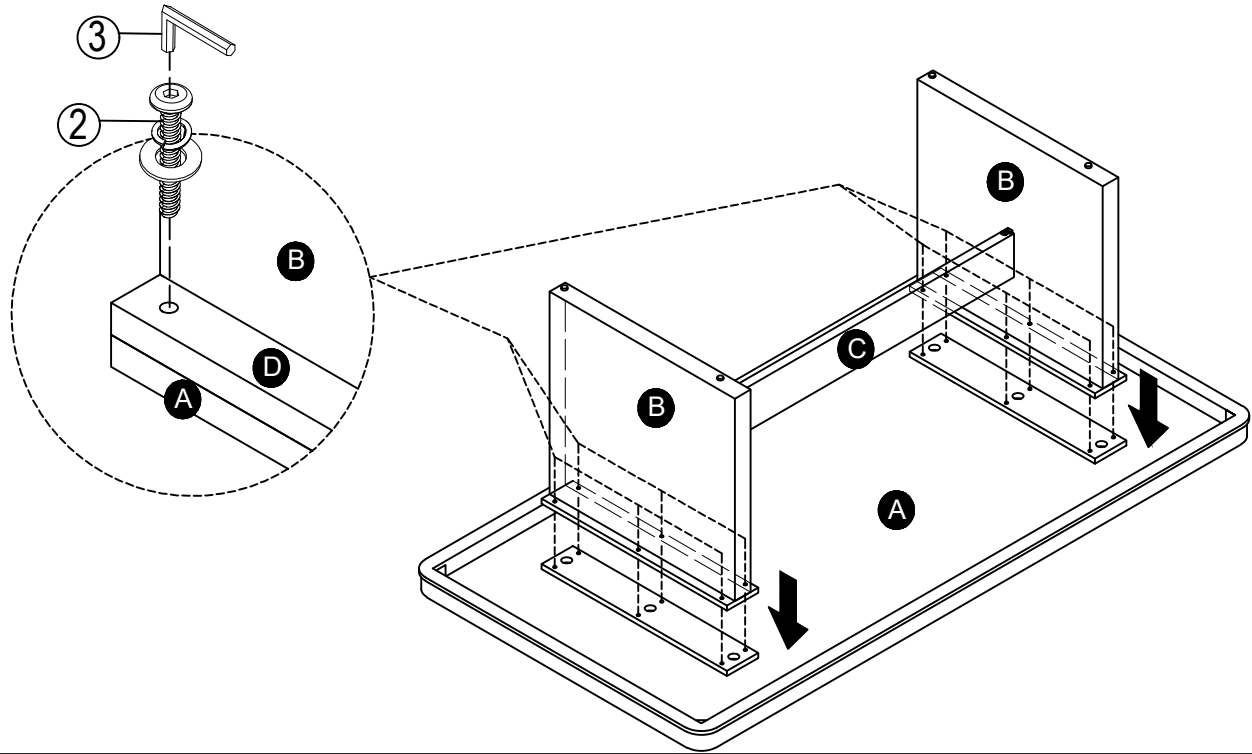
This product is manufactured by HILB for

ROOMS TO GO®

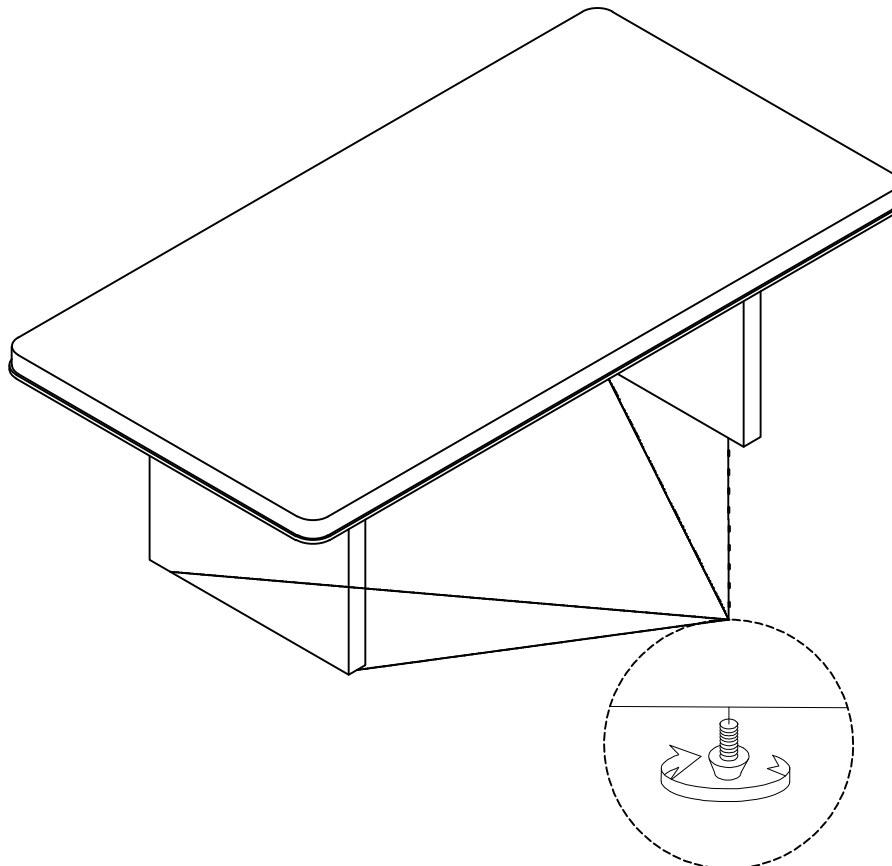
ASSEMBLY INSTRUCTIONS

HILB 5449-835 COUNTER HEIGHT DINING TABLE - SKU : 43154498
5449-810 DINING TABLE - SKU : 42154497

STEP 5: Attach the Table Leg (B) to Table top (A) secure with Flat Washers, Spring Washers and Bolts (2) by using Allen Key (3).



STEP 6:



This product is manufactured by HILB for **ROOMS TO GO®**