



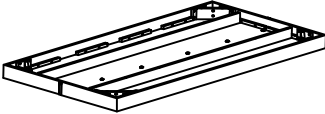
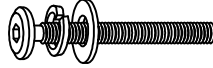


# ASSEMBLY INSTRUCTIONS

SSIO SKU#: 5518-1  
SKU#: 42155184

WALDORF DINING TABLE  
WALDORF DINING TABLE

5518-1  
5518-1

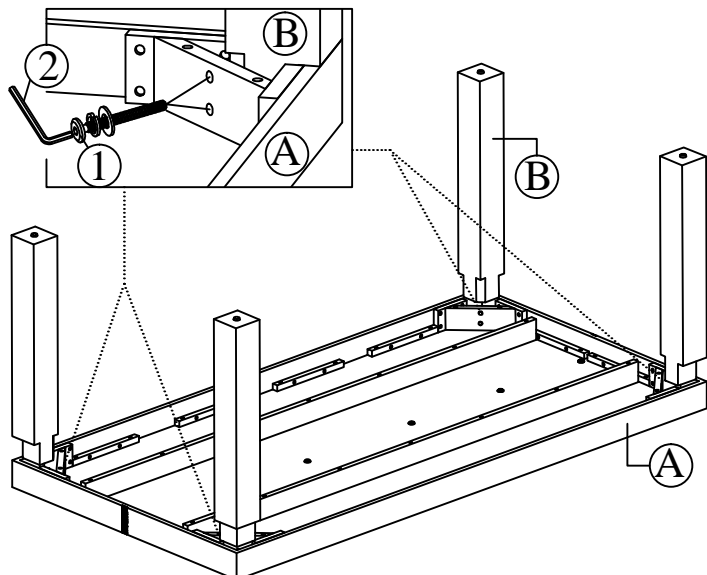
\*\*\* Caution. Please read all instructions carefully before starting the assembly process. These parts are cumbersome and heavy. Therefore, two people are recommended in order to prevent personal injury and insure the parts are not damaged during the assembly.

No.	PARTS LIST			No.	HARDWARE LIST		
A		Table Top	1	1		Bolt $\Phi \frac{5}{16}$ " x 60 mm (20 TPI)	8
						Lock Washer $\Phi \frac{5}{16}$ " x 13 mm	8
						Flat Washer $\Phi \frac{5}{16}$ " x 19 mm	8
B		Table Leg	4	2		Allen Key 4 mm	1

## Step 1

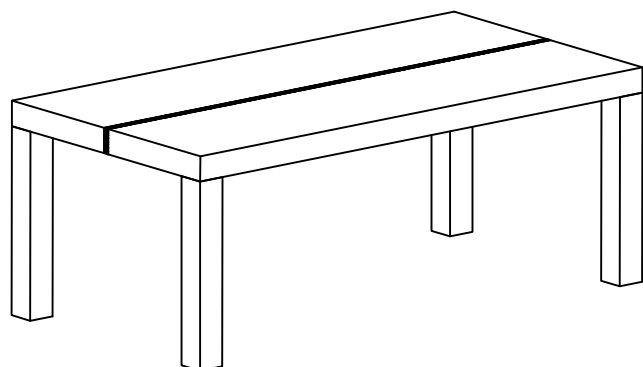
Place the Table Top (A) upside down on a piece of cloth or carpet to prevent the finish from scratching. Attach the Table Leg (B) to each corner of the Table Top (A) by using Bolt/ Lock Washer/ Flat Washer (1) and tighten with Allen Key (2) provided.

Note: Do not tighten all bolts until the table is fully assembled.



## Step 2

Turn the Table to the upright position. Place the Table on a flat surface. Fully tighten all Bolts with Open Wrench (7). The table is assembly completed.



**CLEANING INSTRUCTION:** Clear with a soft cloth and warm water with a diluted mild detergent. Follow with a soft cloth and clear water rinse. Then dry thoroughly with a soft cloth.

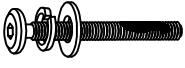

MADE IN VIETNAM

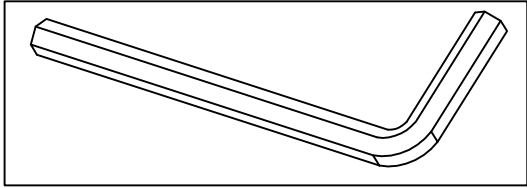
SSIO

5518-1

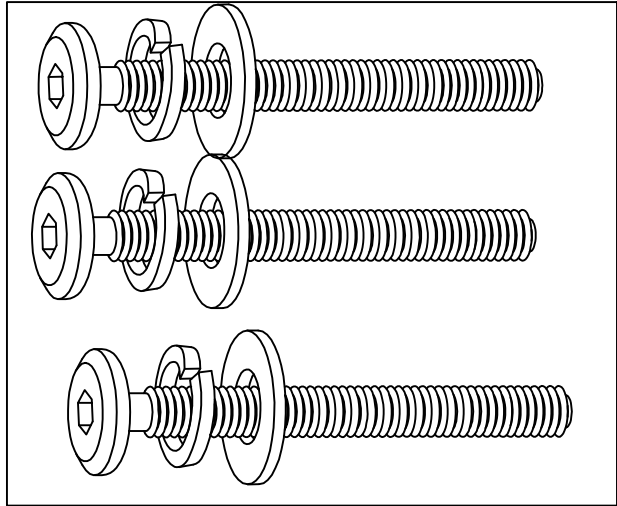
WALDORF DINING TABLE

42155184

No.	Hardware List	QTY
1	 Allen Bolt $\Phi \frac{5}{16}$ " x 60 mm (20 TPI)	8
	Lock Washer $\Phi \frac{5}{16}$ " x 13 mm	8
	Flat Washer $\Phi \frac{5}{16}$ " x 19 mm	8
2	 Allen Key 4 mm	1



2



1