




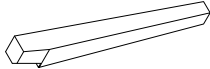

Assembly Instructions

SSIO VD500WT-R Dining Table

Manufactured by SSIO for Rooms To Go

SKU:42158003

Step	Code	Hardware	Qty
	A	SOCKET WRENCH 	1PC
1	B	BOLT Ø5/16"x20x3" 	8PCS
1	C	LOCK WASHER 	8PCS
1	D	FLAT WASHER 	8PCS

Part Number	Picturer	Des Cription	Material	Qty
PVD500WT-RL		Leg	Rubber Wood	4PCS
PVD500WT-RLEV		Leveler	Rubber Wood	4PCS

Hardware Pack Location(s): With Legs

Vida Dining Table

02/20/2023

SKU:42158003



Assembly Instructions

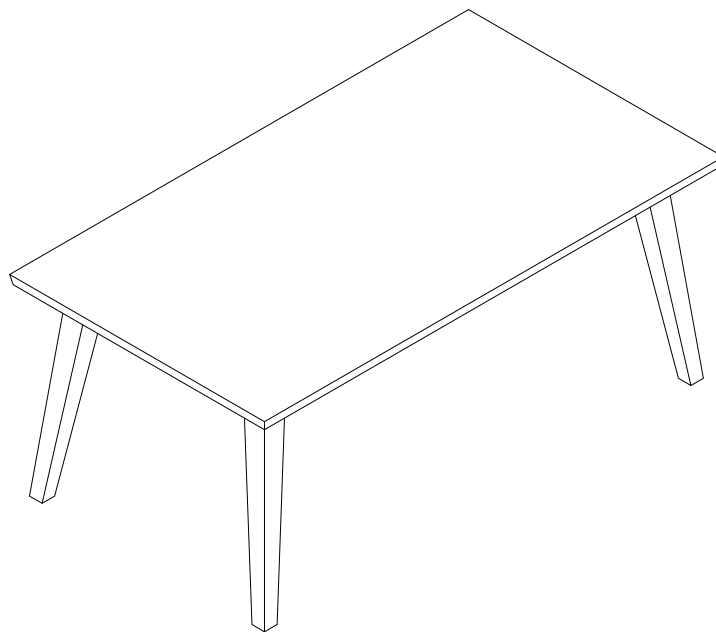
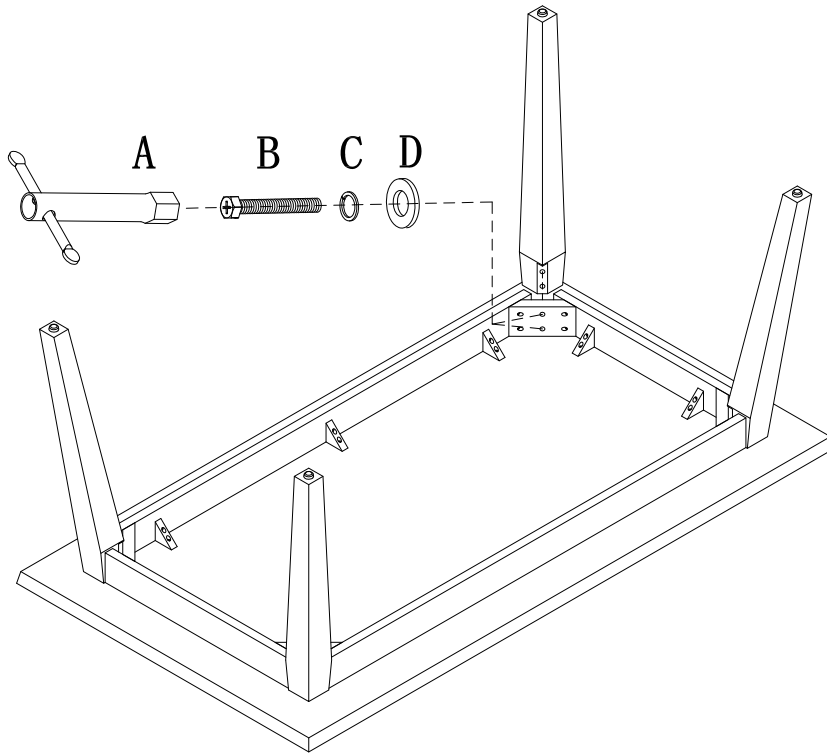
SSIO VD500WT-R Vida Dining Table

SKU:42158003

Manufactured by SSIC for Rooms To Go

***Caution. Please read all instructions carefully before starting the assembly process. These parts are cumbersome and heavy. Therefore, two people are recommended in order to prevent personal injury and ensure the parts are not damaged during the assembly.

STEP 1



Put the marble top on top of the base. Make sure the mounting board of the marble top is aligned with the base mounting board. Secure the four corners of the mounting board with 4 bolts