







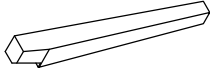

# Assembly Instructions

## SSIO VD500WT-R Dining Table

Manufactured by SSIO for Rooms To Go

SKU:42158039

Step	Code	Hardware	Qty
	A	ALLEN KEY 	1PC
1	B	BOLT 5/16"-18x3" 	8PCS
1	C	LOCK WASHER 5/16"x13mm 	8PCS
1	D	FLAT WASHER 5/16"x19mm 	8PCS

Part Number	Picture	Description	Material	Qty
PVD500WT-RL		Leg	Rubber Wood	4PCS
PVD500WT-RLEV		Leveler	Plastic+lion	4PCS

**Hardware Pack Location(s):** Underneath of the table top

Vida Dining Table

SKU:42158039

04/24/2024



# Assembly Instructions

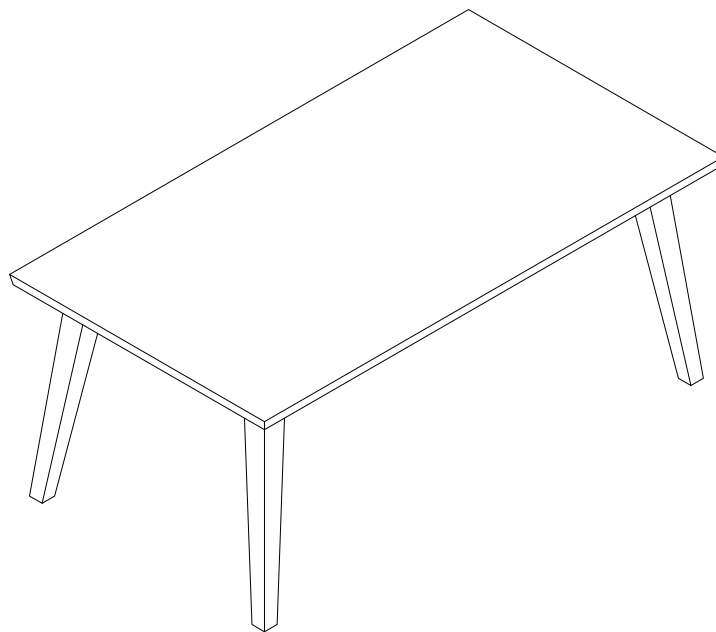
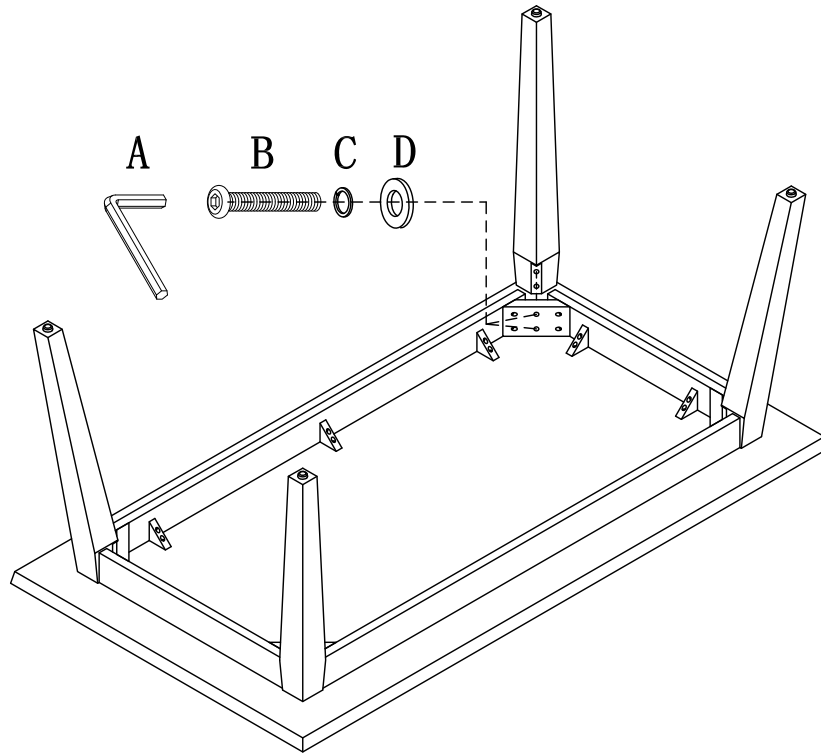
## SSIO VD500WT-R Vida Dining Table

SKU:42158039

Manufactured by SSIC for Rooms To Go

\*\*\*Caution. Please read all instructions carefully before starting the assembly process. These parts are cumbersome and heavy. Therefore, two people are recommended in order to prevent personal injury and ensure the parts are not damaged during the assembly.

### STEP 1



Put the marble top on top of the base. Make sure the mounting board of the marble top is aligned with the base mounting board. Secure the four corners of the mounting board with 4 bolts