



# ASSEMBLY INSTRUCTIONS

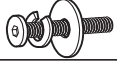

MODEL: 5874

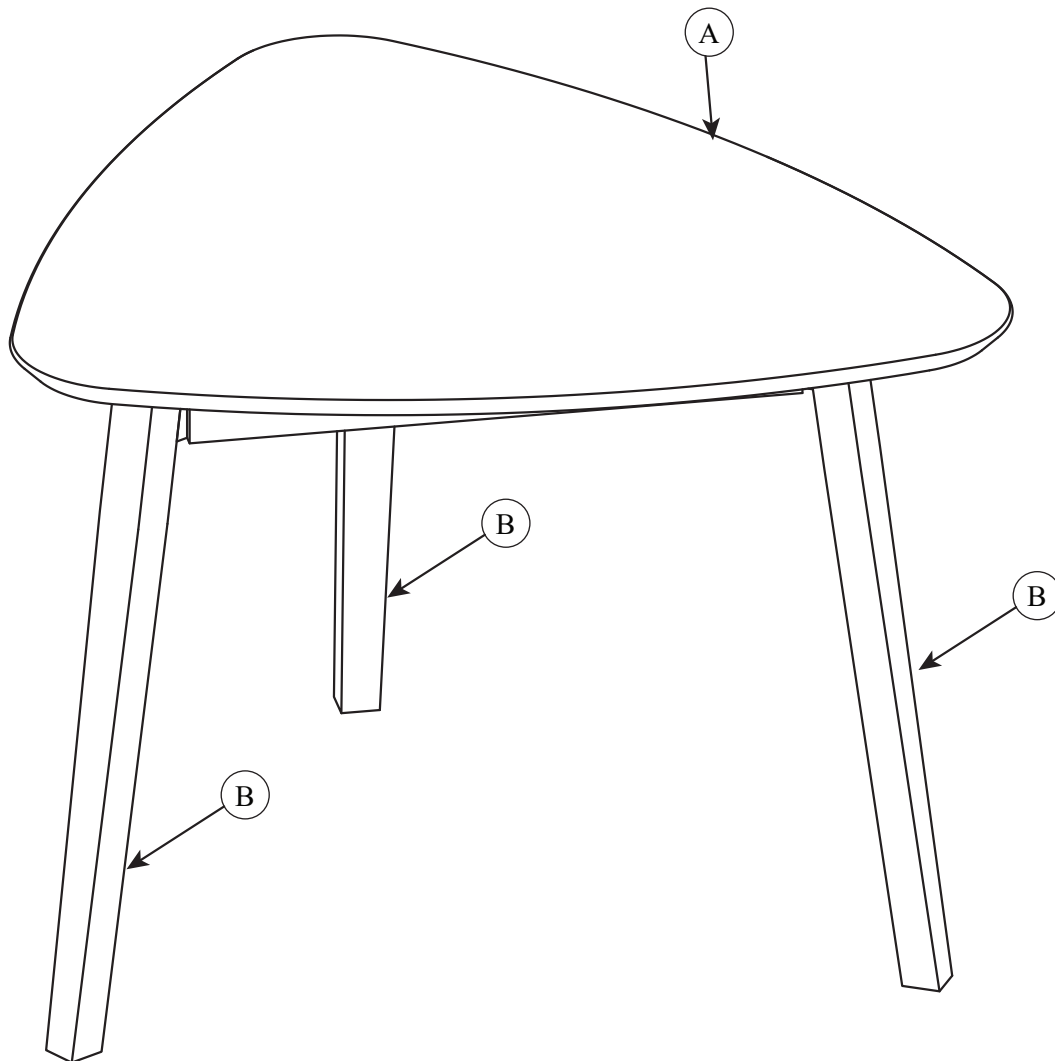
PONG 5874 TABLE

5874-1

SKU # 42158748

Thank you for purchasing this quality product. Be sure to check all packing material carefully for small parts. Which may have come loose inside the carton during shipment. Identify and count all parts and compare with the hardware list as below:

	No.	Picture	Description	Dimension	Qty
HARDWARE LIST	①		JCBB (M8) with washer	8 x P1.25 x 50 mm	6 pcs
	②		Allen Key M5	5 x 65 mm	1 pc
	No.	Description			Qty
PART LIST	Ⓐ	Table Top			1 pc
	Ⓑ	Leg			3 pcs

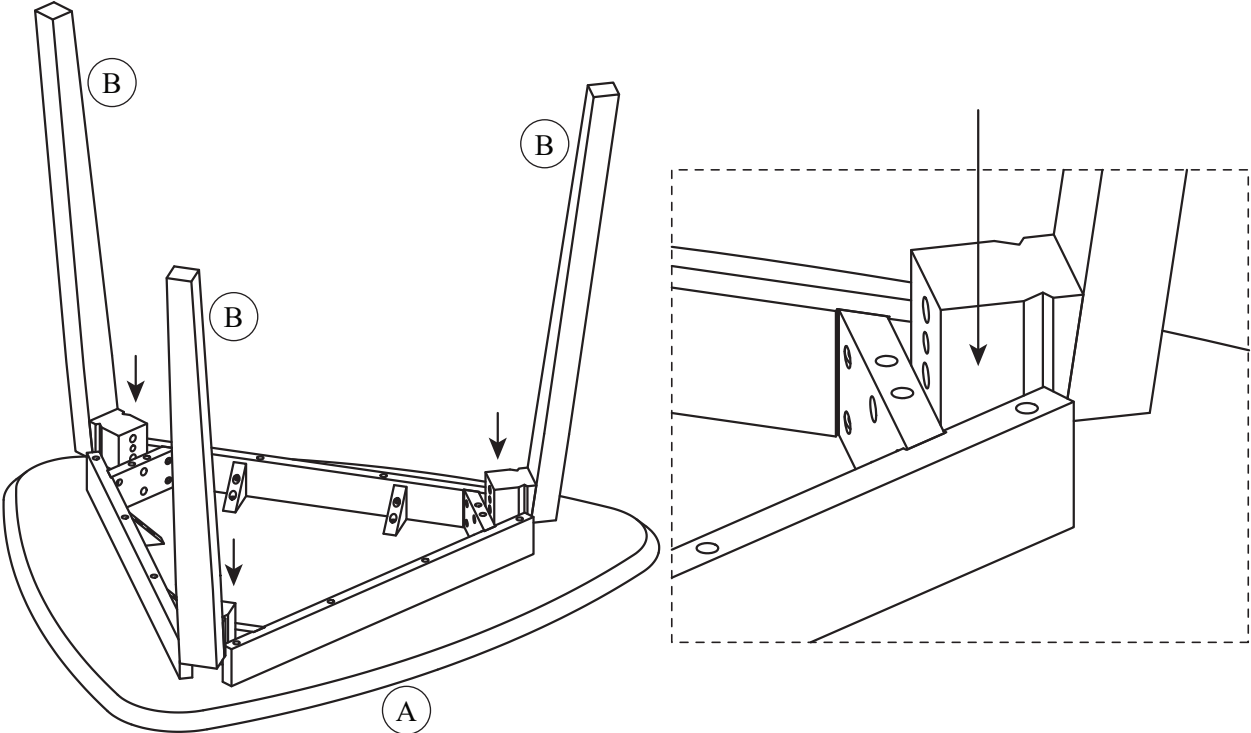


## PART DETAILS

# Assembly Steps

## STEP 1

Carefully attach the legs. Please ensure that the inside corner of apron slotted into the groove on the leg.



## STEP 2

Attach the bolts as shown, and ensure to fully tighten all bolts firmly.  
**(NOTE: USE HARDWARE Num. 1)**

