


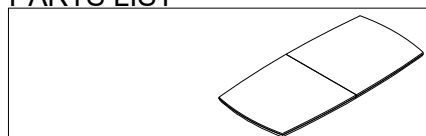
Assembly Instructions

MGNH 5880-21 TRESTLE DINING TABLE SKU# 42158801

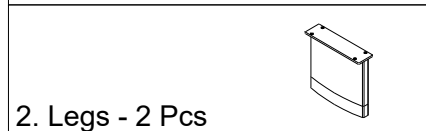
Version 1 - 2024/04/29

PARTS LIST

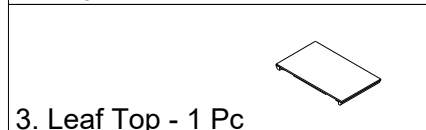
Step	Code	Hardware	Q'TY
1	A	Allen key 4mm dia. 	1 Pc



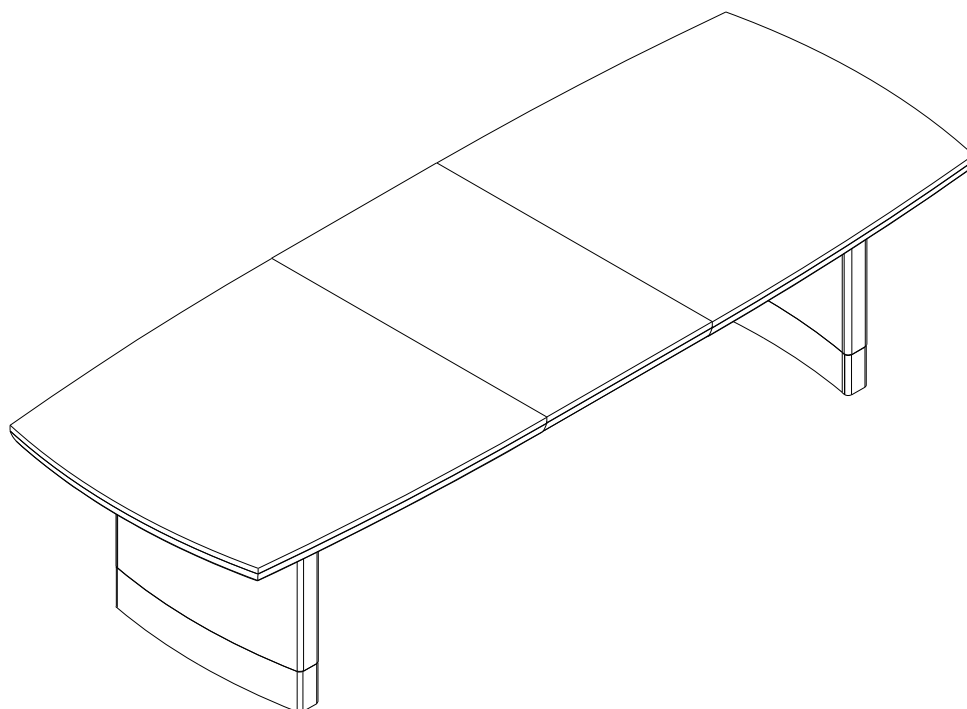
1. Top Frame - 1 Pc



2. Legs - 2 Pcs

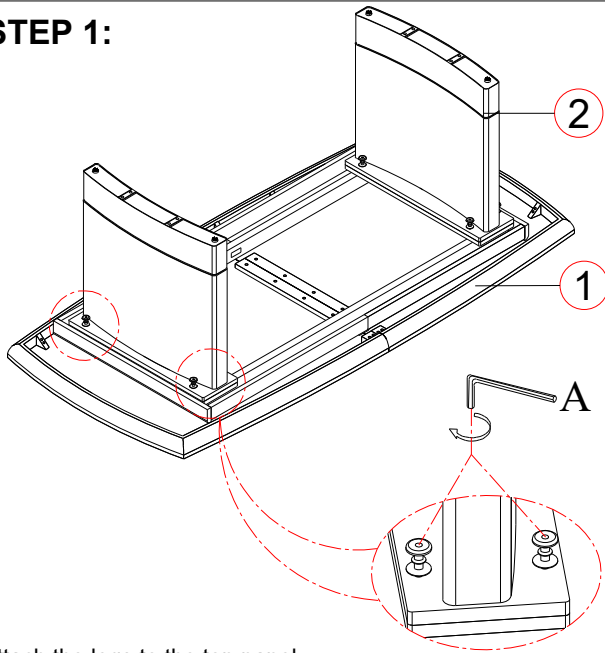


3. Leaf Top - 1 Pc

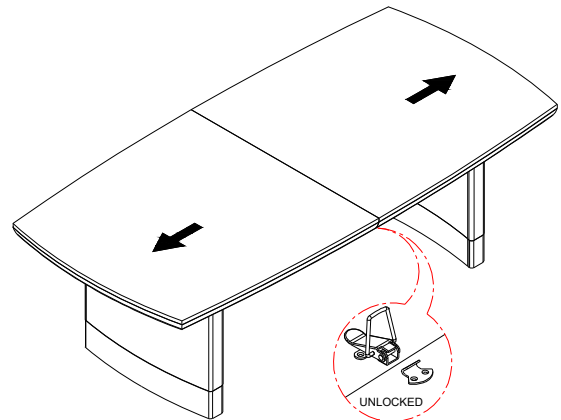
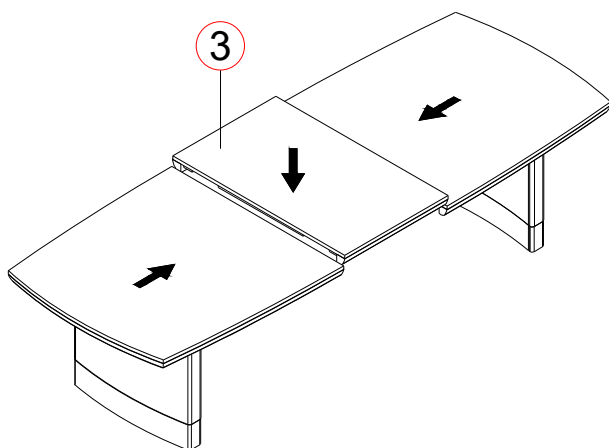
**Hardware Pack Locations:**

5880-21 Trestle Dining Table, SKU# 42158801

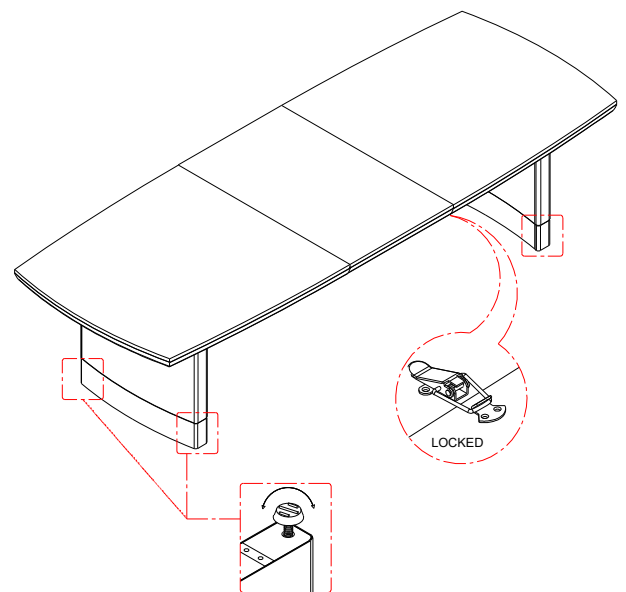
***Cautions: Please read all instructions carefully before starting the assembly process. These parts are cumbersome and heavy. Therefore, two people are recommended in order to prevent personal injury and ensure the parts are not damaged during the assembly.

STEP 1:

Attach the legs to the top panel.
The bolts were pre-installed on the legs ready for assembly to top(1)

STEP 2:**STEP 3:**

Turn the table upright.
Attach the leaf to the table top.

STEP 4:

Adjustable levelers

Hardware Pack Locations:

5880-21 Trestle Dining Table, SKU# 42158801