





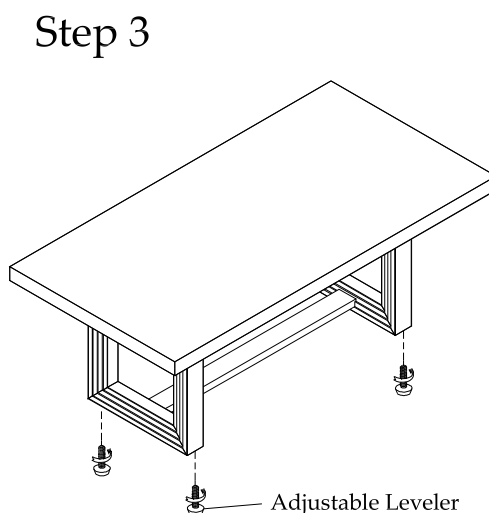
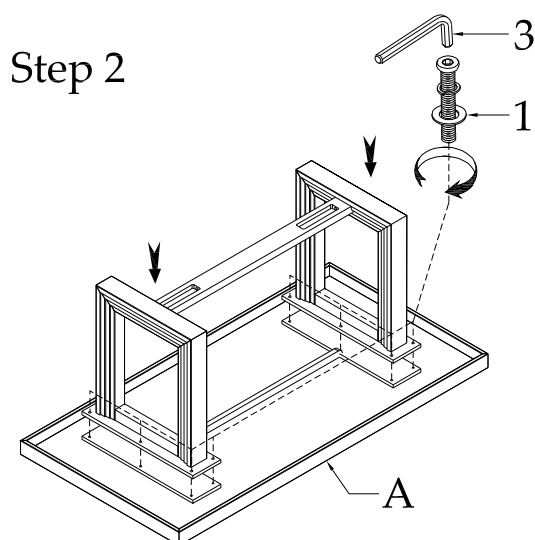
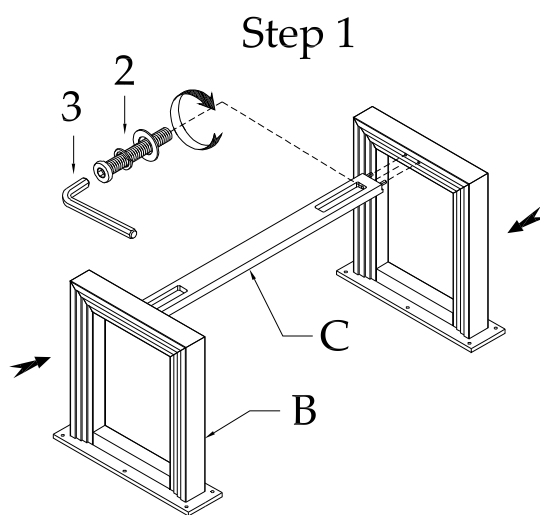


THANK YOU FOR PURCHASING THIS QUALITY PRODUCT. BE SURE TO CHECK ALL PACKING MATERIALS CAREFULLY FOR SMALL HARDWARE WHICH MAY HAVE COME LOOSE INSIDE THE CARTON DURING SHIPMENT. IDENTIFY AND COUNT ALL HARDWARE AND COMPARE WITH THE HARDWARE LIST BELOW.

PARTS LIST :			
No.	Description	Sketch	Q' TY
A	Table Top		1
B	Leg		2
C	Stretcher		1

HARDWARE LIST :				
NO.	HARDWARE LIST		Q' TY	
1		Bolt Flat washer Lock washer	Φ5/16" x 18 x 1-1/2" Φ5/16" x 12 x 3 Φ5/16 x 19 x 2	12
2		Bolt Flat washer Lock washer	Φ5/16" x 18 x 3" Φ5/16" x 12 x 3 Φ5/16 x 19 x 2	2
3		Allen Key	4mm	1



Hardware Pack Location:

Inside Box: 68950 TRESTLE DINING TABLE

SKU: 42168903