



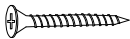
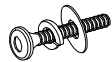

# ASSEMBLY INSTRUCTIONS

MODEL : P282

STOF

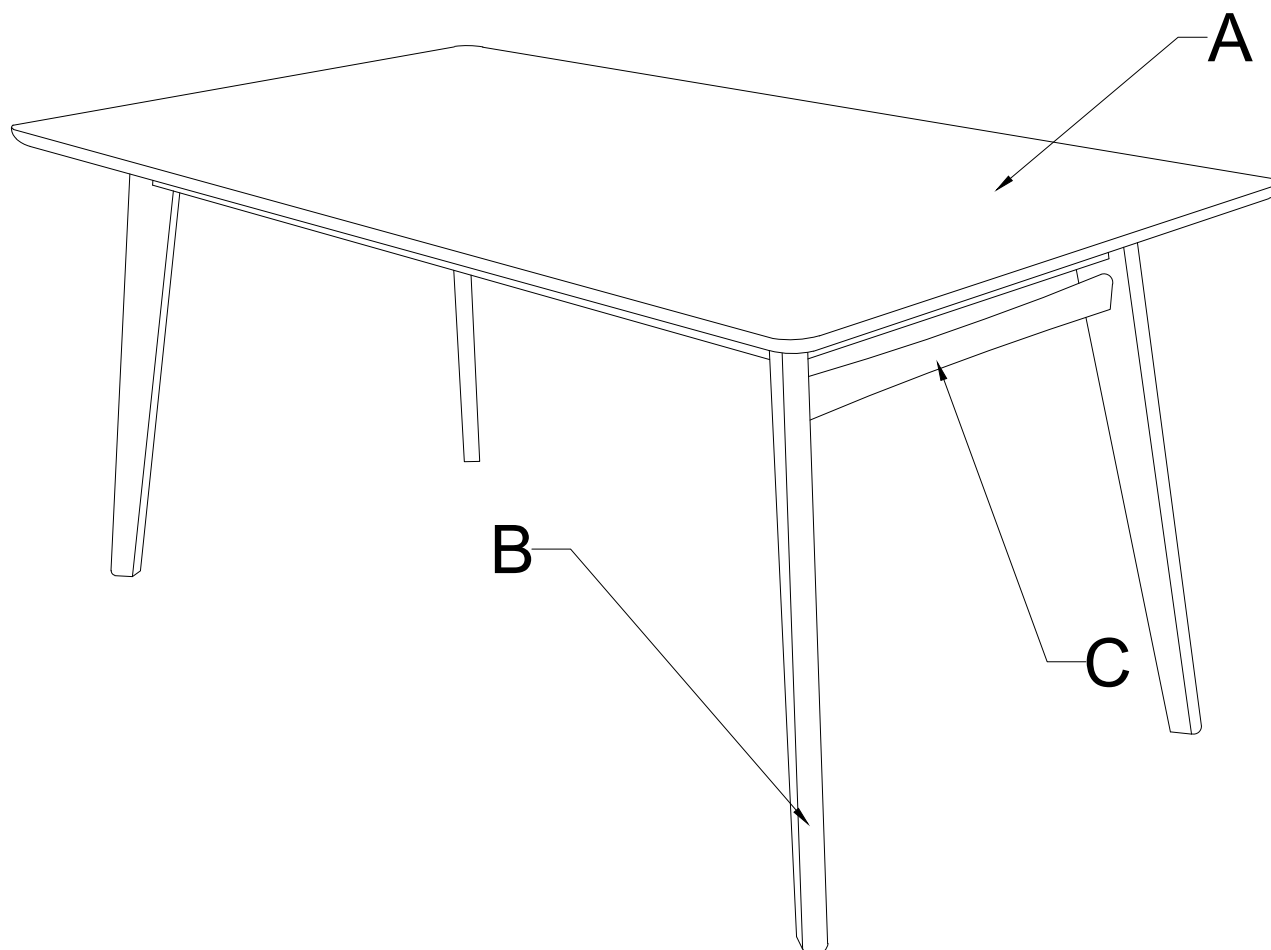
7217-DT LEG DINING TABLE (SKU#42172178)

Thank you for purchasing this quality product. Be sure to check all packing material carefully for small parts. Which may have come loose inside the carton during shipment. Identify and count all parts and compare with the hardware list as below :

Hardware List	No.	Picture	Description	Dimension	Qty
	①		CSK M5	4 X 50 [Length]	4 PCS
	②		JCBB (M4) M8 NYLOK	8 X P1.25 X 60 [Length]	8 PCS
	③		ALLEN WRENCH	M4	1 PC

Parts List	No.	Description	Qty
	A	TABLE TOP	1 PC
	B	TABLE LEG	4 PCS
	C	APRON	2 PCS

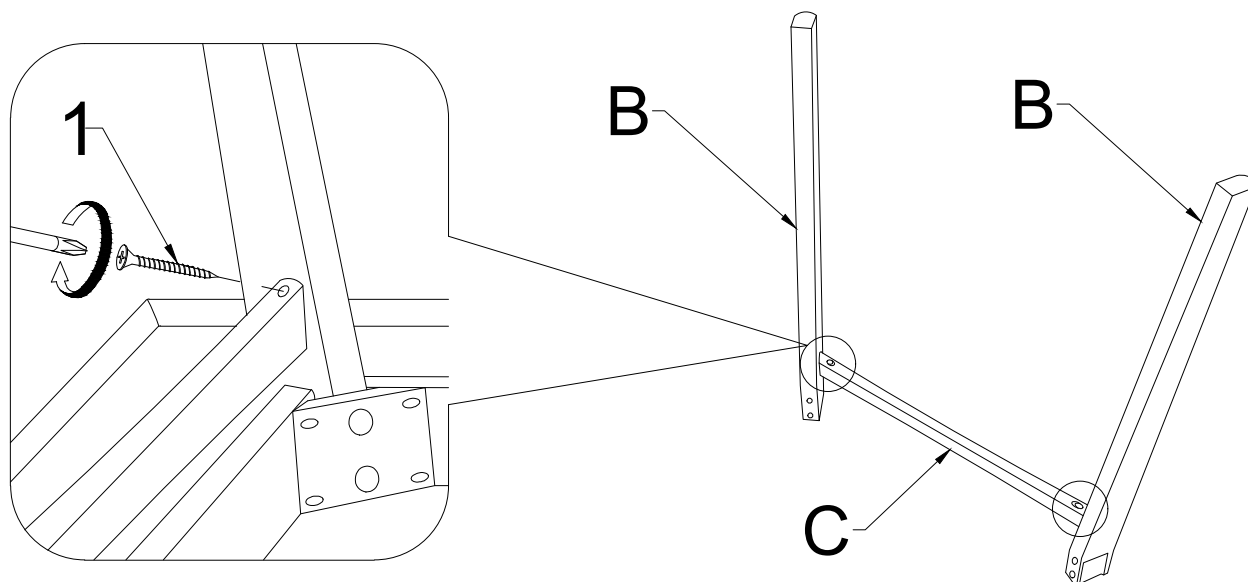


PARTS DETAILS

# Assembly step

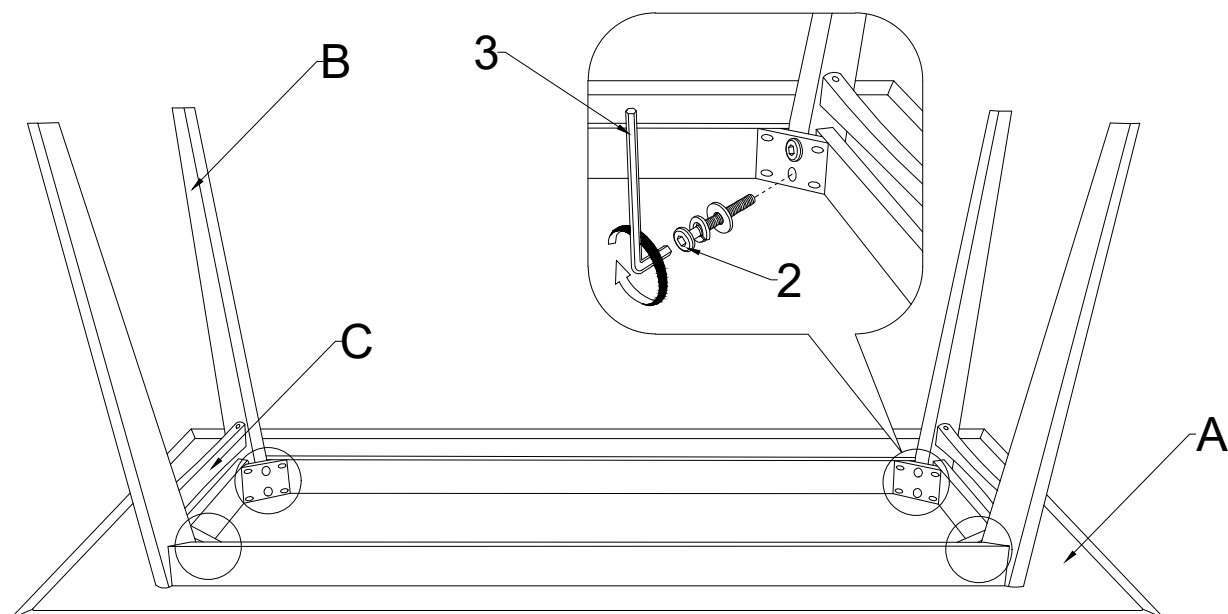
## STEP 1

Assemble the apron to the leg together by using CSK M5.  
DO NOT TIGHTEN THE SCREWS UNTIL FULLY SET UP.



## STEP 2

Assemble the leg and apron to the table top together by using JCBB M8.  
DO NOT TIGHTEN THE SCREWS UNTIL FULLY SET UP.



### NOTE :

To ensure that chair is level , assemble the chair on flat & soft surface. DO NOT tighten all the screw & bolts until the chair been adjust & level all the legs so that they do not wobble. Once adjusted then only tighten all the screw using Allen Key while making sure that the unit remain level.