

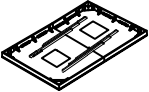
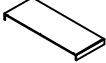




# Assembly Instructions




NAJA 7769-1 LEG DINING TBL SKU#42177697

Thank you for purchasing this quality product. Be sure to check all packing material carefully for small parts, which may have come loose inside the carton during shipment. Identify and count all parts and compare with the **HARDWARE LIST** below.

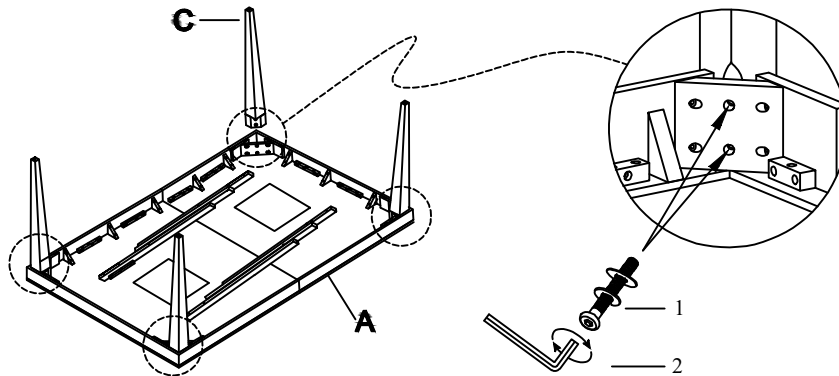
Caution: Please read instructions thoroughly before unpacking assembly parts.

1. We recommend that you assemble this product with the assistance of another person; this will make assembly easier, and will help to eliminate damage to the product or injury to persons during assembly.
2. Please put all parts on a non-abrasive floor before assembly, and follow the assembly steps to assemble your newly purchased product correctly and efficiently.
3. Do not tighten all bolts until the assembly is completed.

NO.	PARTS LIST		Q' TY
A		Table Top	1
B		Table Leaf	1
C		Leg	4
D		Acrylic Panel	2
E		Decorated Acrylic Panel	2
F		Clear tempered glass	2

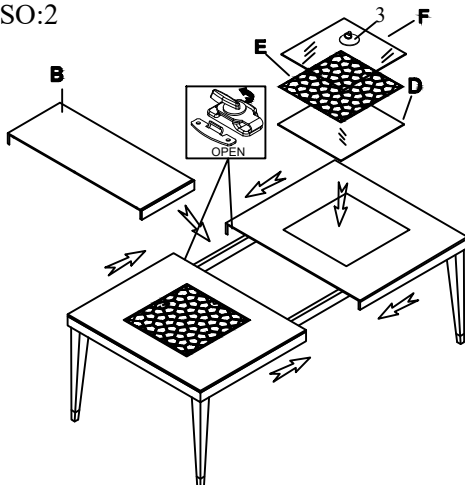
NO.	HARDWARE LIST		Q' TY
1		Allen Bolt Ø 5/16" * 18 * 75mm	8
		Spring washer Ø 5/16" * Ø13mm * 1.5mm	
		Flat washer Ø 5/16" * Ø19mm * 1.5mm	
2		Allen wrench (4mm)	1
3		Plastic Inheritor	1

## STEP/PASO:1

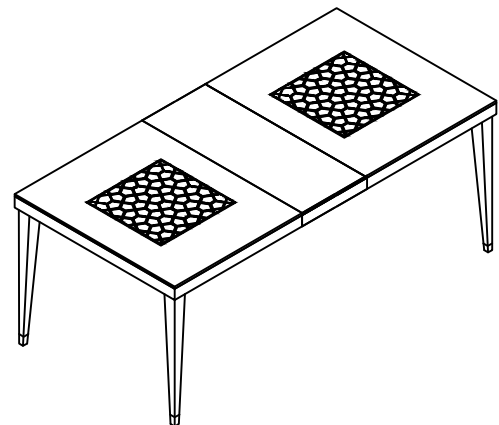


Assemble leg with the table top.

## STEP/PASO:2



## COMPLETED



Open the cap lock, pull out the table top, put #B leaf into it, then close the cap lock. Put black Acrylic #D, then decoration peice #E, in the end put glass top #F.

Hardware pack Location(s): NAJA 7769-1 LEG DINING TBL SKU#42177697

Assembly completed  
Made in VietNam