

# Assembly Instructions




HFVC 8470/8471-1 LEG DNG TABLE

SKU# 42184705/42184717


This product is manufactured by HFVC for

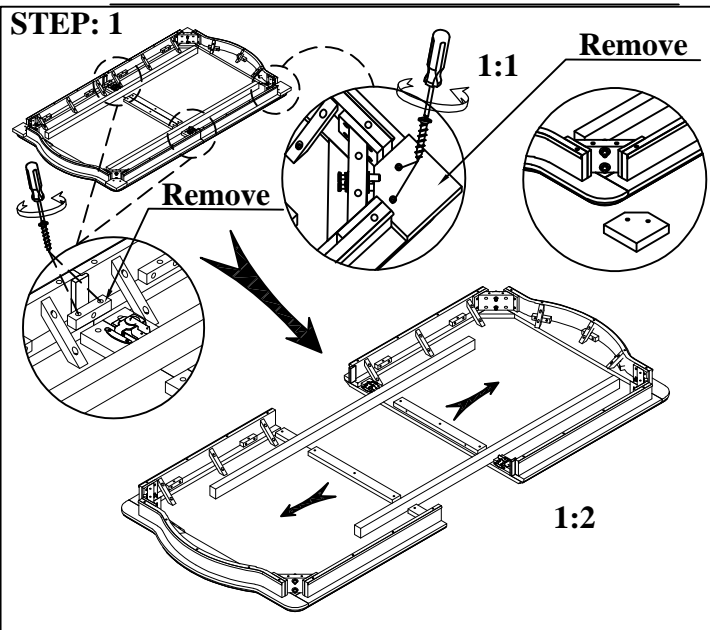
**ROOMS TO GO** ►

**\*\*\*Caution:** Please read all instructions carefully before starting the assembly process. These part are cumbersome and heavy. Therefore, two people are recommended in order to prevent personal injury and ensure the parts are not damaged during the assembly.

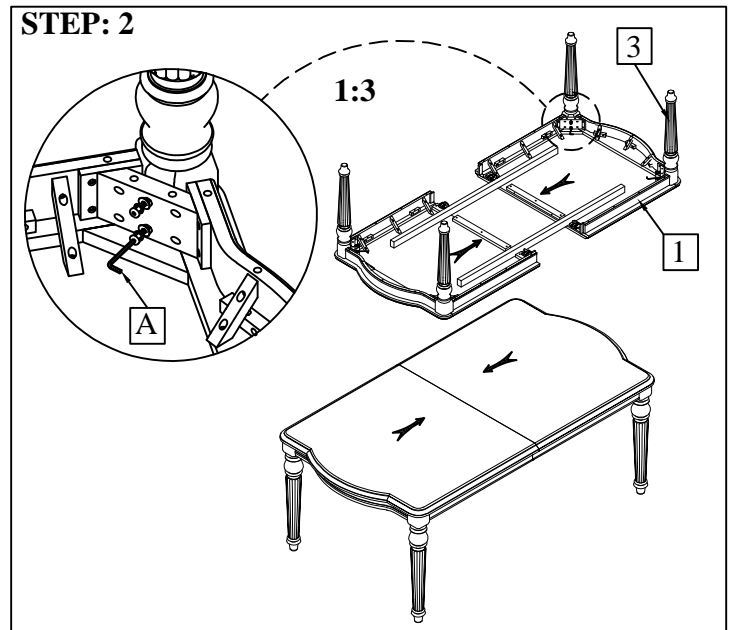
Code	PART LIST		
1	Table Top		1PC
2	Table Leaf		1PC
3	Table Leg		4PCS

Step	Code	HARDWARE LIST		
1	A	4mm Allen key		1pc

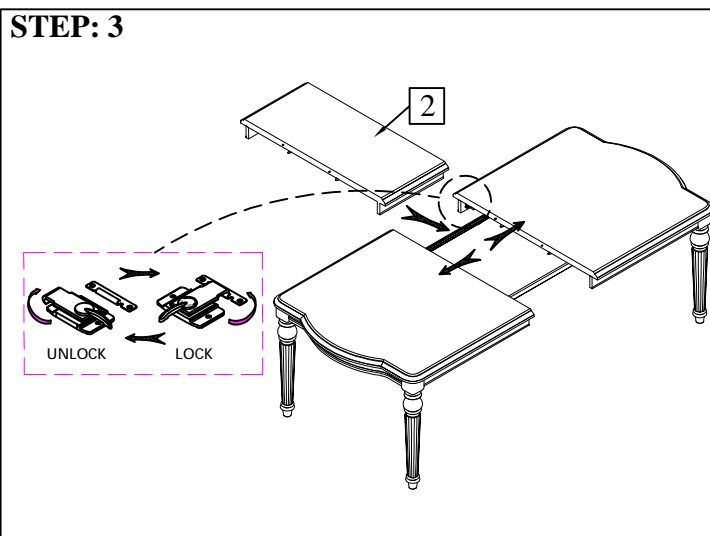
TOOLS REQUIRED (NOT PROVIDED)	
Description	Sketch
Phillips Screwdriver	



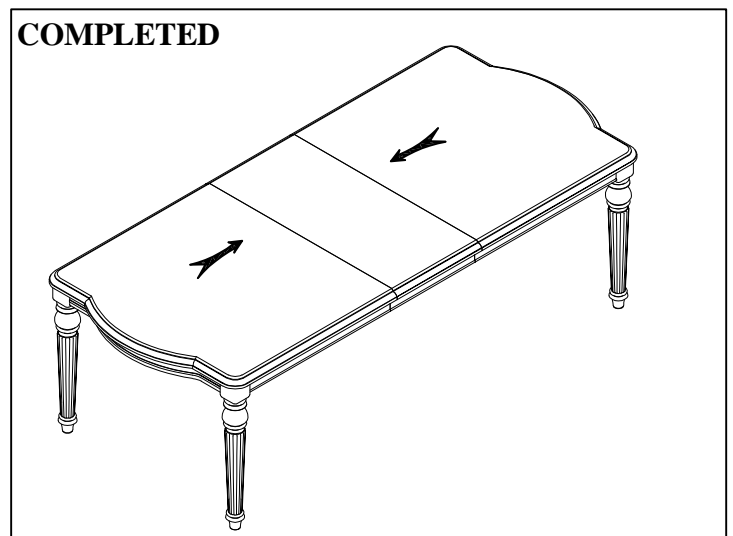
Remove the wooden protecting block as shown.



Assemble the legs with the top table.  
Not the bolt were pre-intsalled on the table corners.



Assembling the table leaf into the table.



**Hardware Pack location(s)**  
HFVC 8470/8471-1 LEG DNG TABLE SKU# 42184705/42184717

MADE IN VIETNAM

Residential Use Only

Version 1: 23-Feb-2024

1 OF 1