

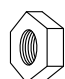



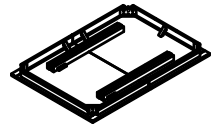
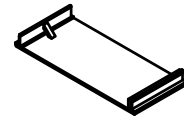
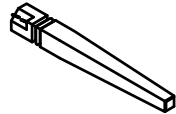


ASSEMBLY INSTRUCTIONS

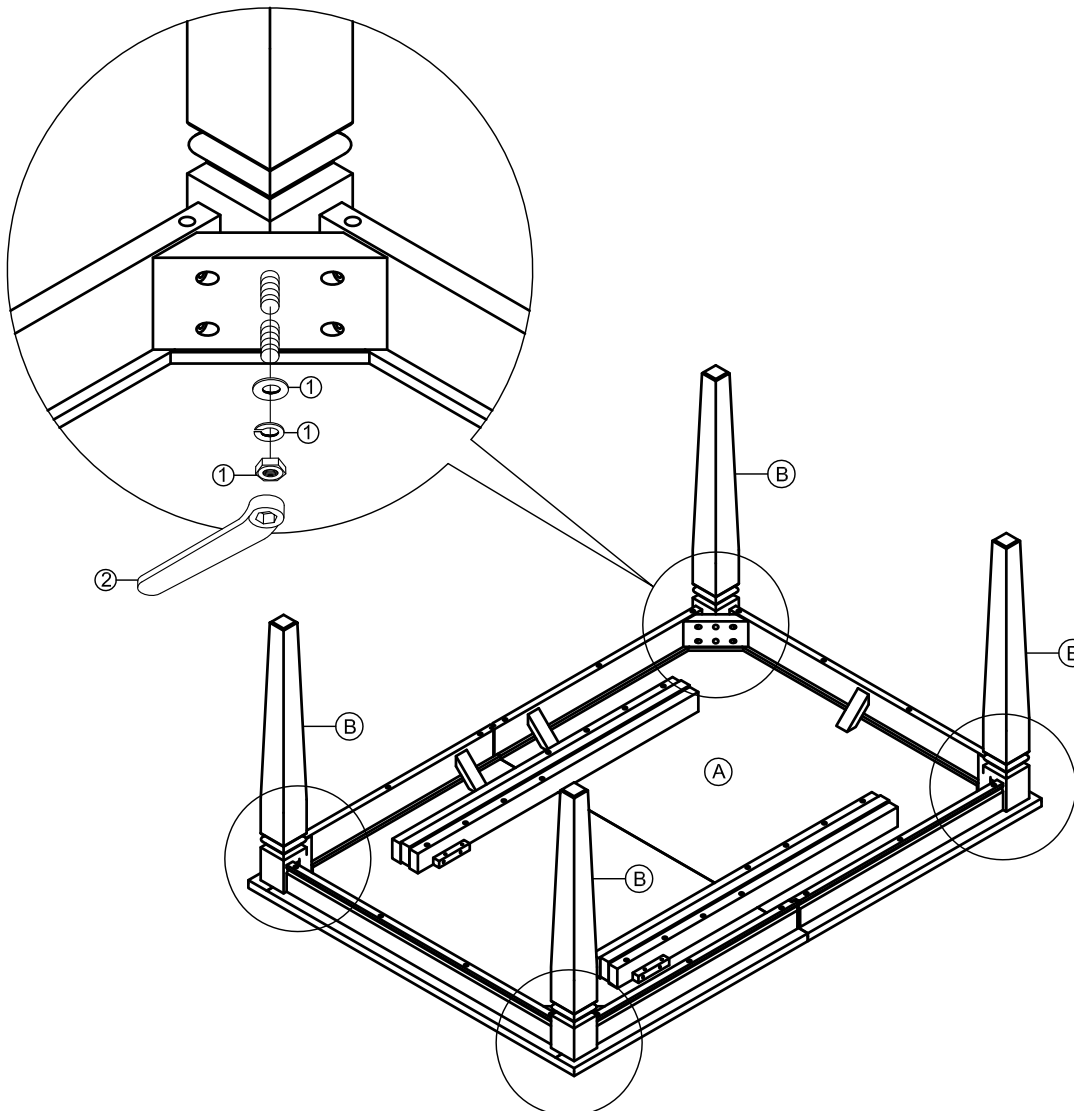
GRVE 9350-DT2 LEG DINING TABLE

SKU: 42193502

HARDWARE LIST :				QTY
1	Flat Washer	Ø5/16"x 3/4"		8pcs
1	Spring Washer	Ø5/16"x 1/2"		8pcs
1	Hex- Nut	Ø5/16"x 1/2"		8pcs
2	Wrench	3-1/2"x 1/2"		1pc

PARTS LIST:			QTY
A	Table Top		1pc
B	Table Leaf		1pc
C	Table Leg		4pcs

Step 1



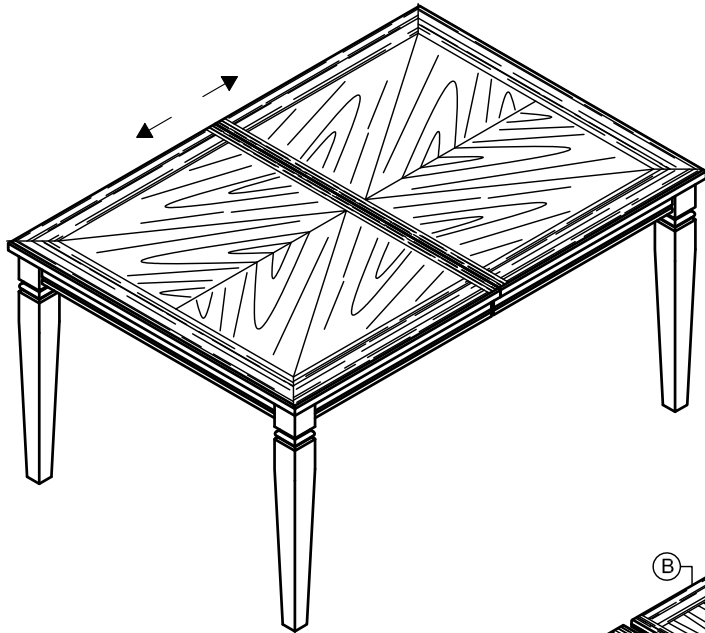


ASSEMBLY INSTRUCTIONS

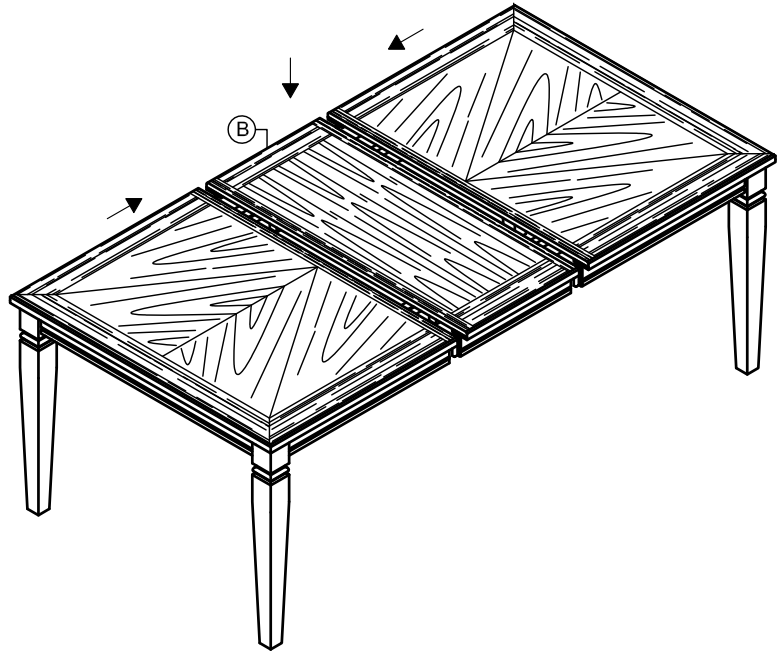
GRVE 9350-DT2 LEG DINING TABLE

SKU: 42193502

Step 2



Step 3



Step 4

