

# Assembly Instructions

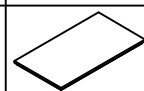
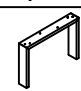
NAJA 9967-1 DINING TABLE SKU#42199679

Thank you for purchasing this quality product. Be sure to check all packing materials carefully for small parts, which may have come loose inside the carton during shipment. Identify and count all parts and compare with the HARDWARE LIST below.

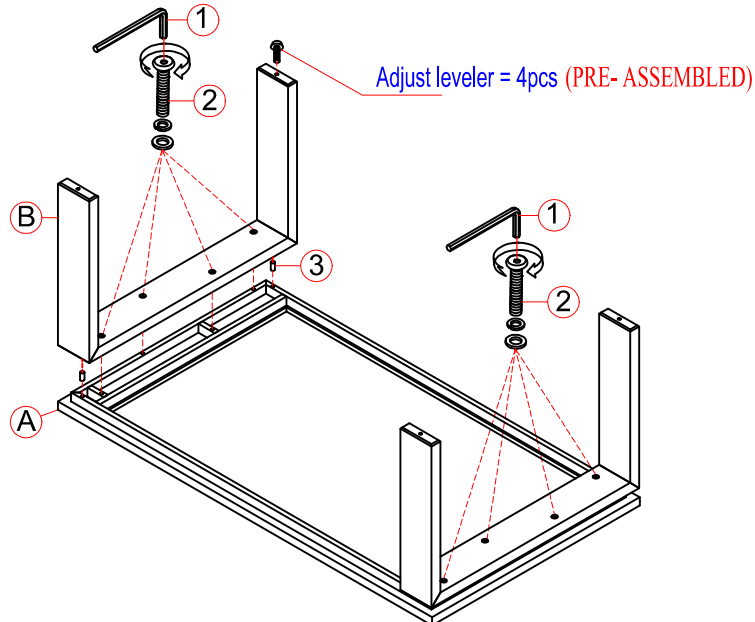
Caution: Please read instructions thoroughly before unpacking assembly parts.

1. We recommend that you assemble this product with the assistance of another person; this will make assembly easier, and will help to eliminate damage to the product or injury to persons during assembly.
2. Please put all parts on a non-abrasive floor before assembly, and follow the assembly steps to assemble your newly purchased product correctly and efficiently.
3. Do not tighten all bolts until the assembly is completed.

NO.		HARDWARE LIST	Q' TY
1		Allen Key (L57 * 4mm)	1
2		Bolt (Ø5/16"-18 * 2-3/8"(L))	8
		Spring Washer (Ø5/16" * 13mm)	8
		Flat Washer (Ø5/16" * 19mm * 2mm)	8
3		Wood Dowels Ø10 * 30mm(L)	4

NO.		PARTS LIST	Q' TY
A		Table Top	1
B		Leg Frame	2

## STEP/PASO:1



Assemble leg frame with the table top

## COMPLETED

