

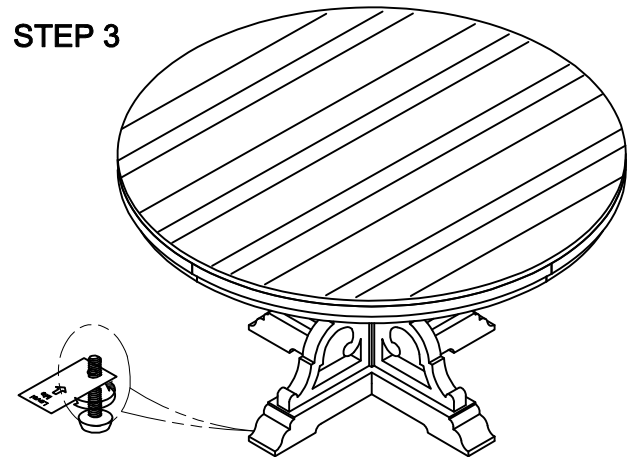
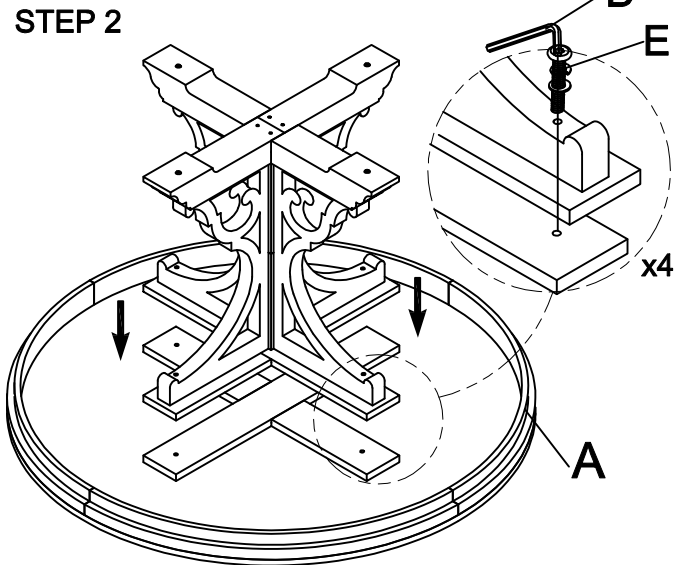
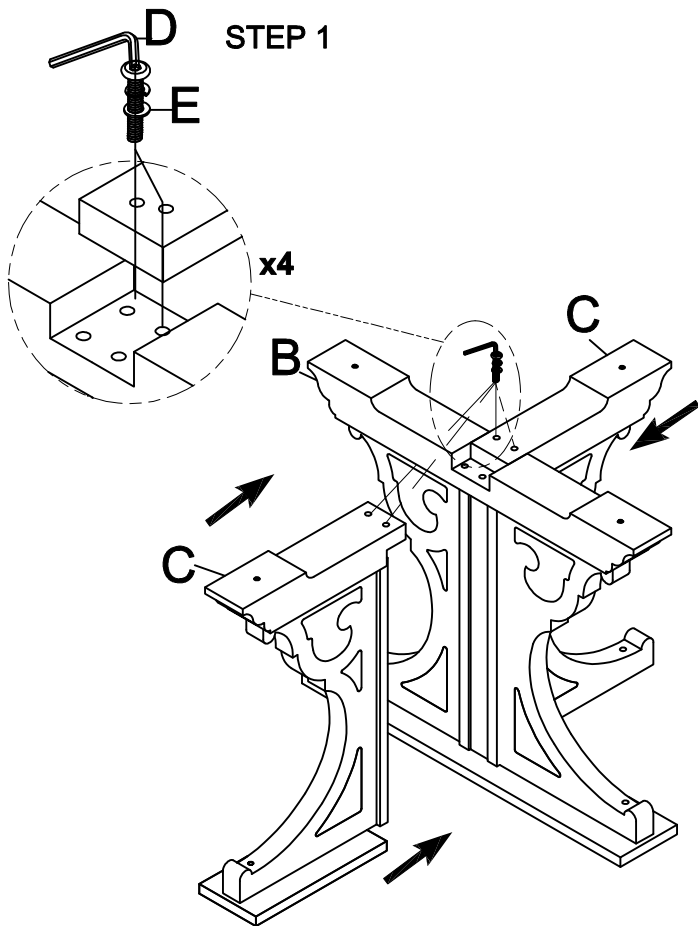
ASSEMBLY INSTRUCTION

EMRI 2581-49 SKU # 42225816
 ROUND PEDESTAL DINING TABLE

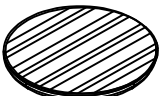
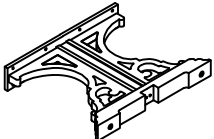
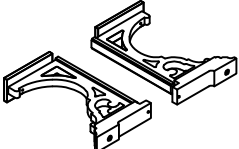
Thank you for purchasing this product. Be sure to check all packing materials carefully for small parts that may have come loose inside the carton during shipment.



Before You Assemble: Please read all instructions carefully before beginning assembly. It is recommended that 2 people work together during assembly to prevent personal injury and to ensure that heavy or cumbersome parts are not damaged during the process.

CAUTION: For your safety, this product requires two people to lift.



NOTE: WAIT TO TIGHTEN ALL COMPONENTS COMPLETELY UNTIL UNIT IS FULLY ASSEMBLED. THIS WILL ALLOW FOR EASIER ASSEMBLY.

PICTURE	DESCRIPTION	QTY
A 	TABLE TOP EHF # N/A	1pc
B 	LEG ASSEMBLY EHF # N/A	1pc
C 	LEGS PIER EHF # N/A	2pcs

PICTURE	DESCRIPTION	QTY
D 	ALLEN KEY 20*60*4mm EHF # HDWR	1pc
E 	BOLT 5/16*18* 2 1/2" EHF # HDWR	8 pcs