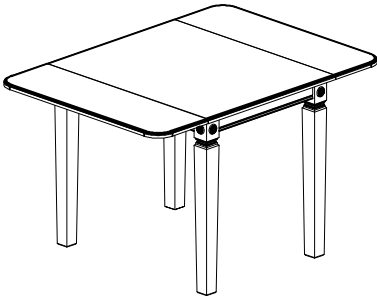


ASSEMBLY INSTRUCTION

Item No : GW-TA-3650D-RBC-C

GW-TA-3650D-RWC-C

Description : 36" x 28-50" DROP LEAF TABLE



IMPORTANT NOTE :

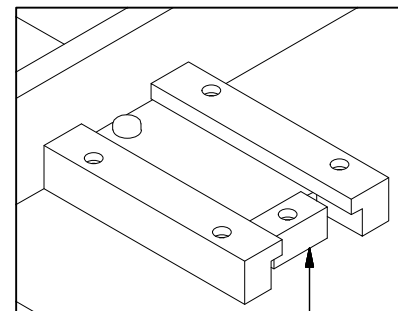
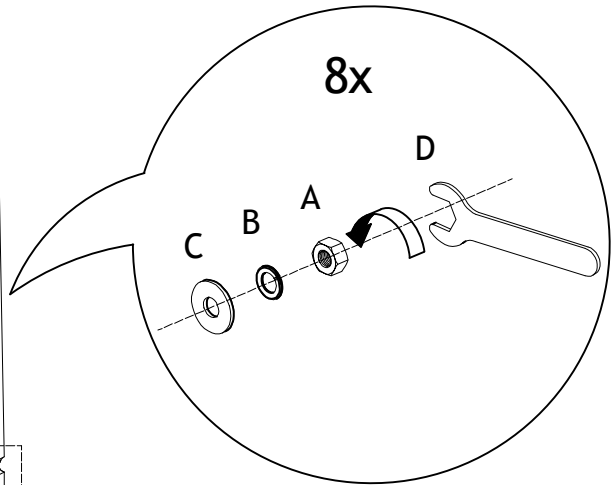
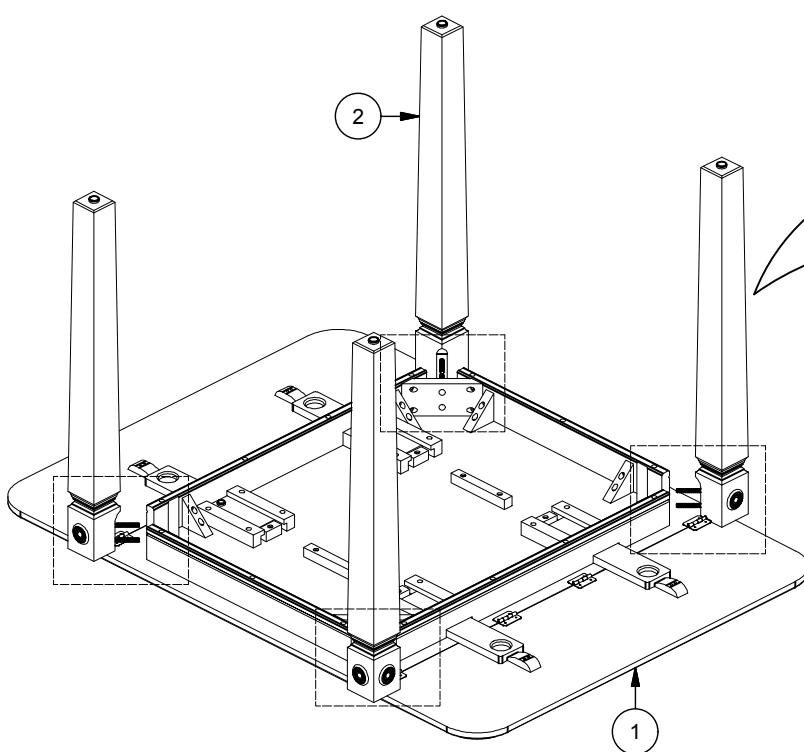
- Place all wooden parts on a clean and smooth surface such as a rug or carpet to avoid the parts from being scratched.
- Check to be sure that you have all parts and hardware.
- Remove all wrapping materials, including staples & packing straps before you start to assemble.
- Do not tighten all screws / bolts until all completely assembled.
- Keep all hardware parts out of reach of children.

COMPONENT LIST

NO	DESCRIPTION	QTY/PCS
1	TABLE TOP	1 PC
2	TABLE LEG	4 PCS

HARDWARE LIST

NO	DESCRIPTION	QTY/PCS
A	HEX NUT 5/16"	8 PCS
B	SPRING WASHER 5/16"	8 PCS
C	FLAT WASHER 5/16" x 22	8 PCS
D	WRENCH 12.8	1 PC



DISCARD WOOD

Remove The Wood Labelled "DISCARD"
After The Table Completed Assembly.