

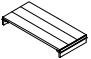
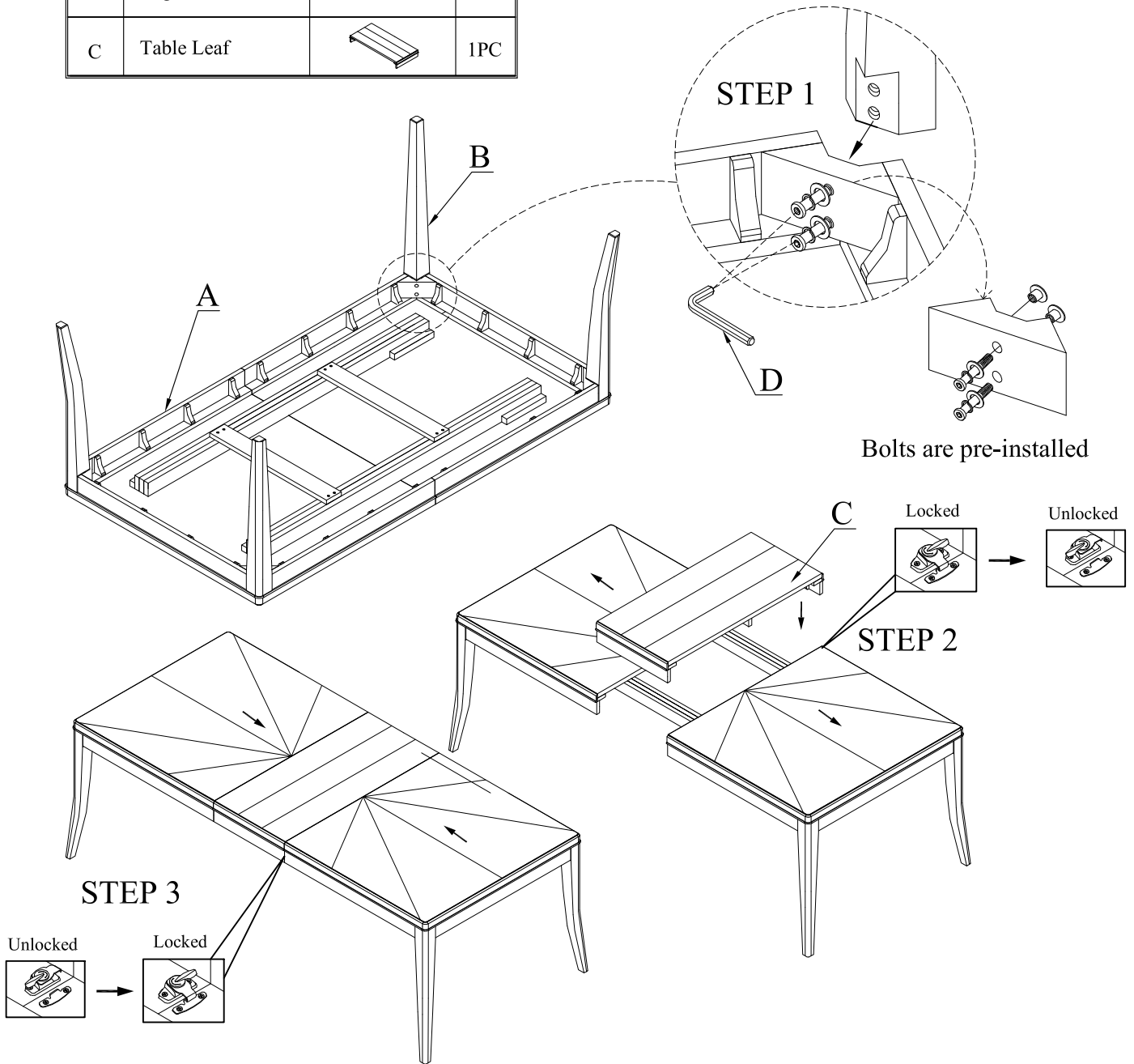


*** Caution: Please read all instructions carefully before starting the assembly process. These parts are cumbersome and heavy Therefore, two people are recommended in order to prevent personal injury and ensure the parts are not damaged during the assembly

*** Note: Do not tighten all the bolts until the assembly is fully complete

Code	PART LIST:		
A	Top		1PC
B	Legs		4PCS
C	Table Leaf		1PC

Code	HARDWARE LIST		
D	Allen Key 4mm		1PC



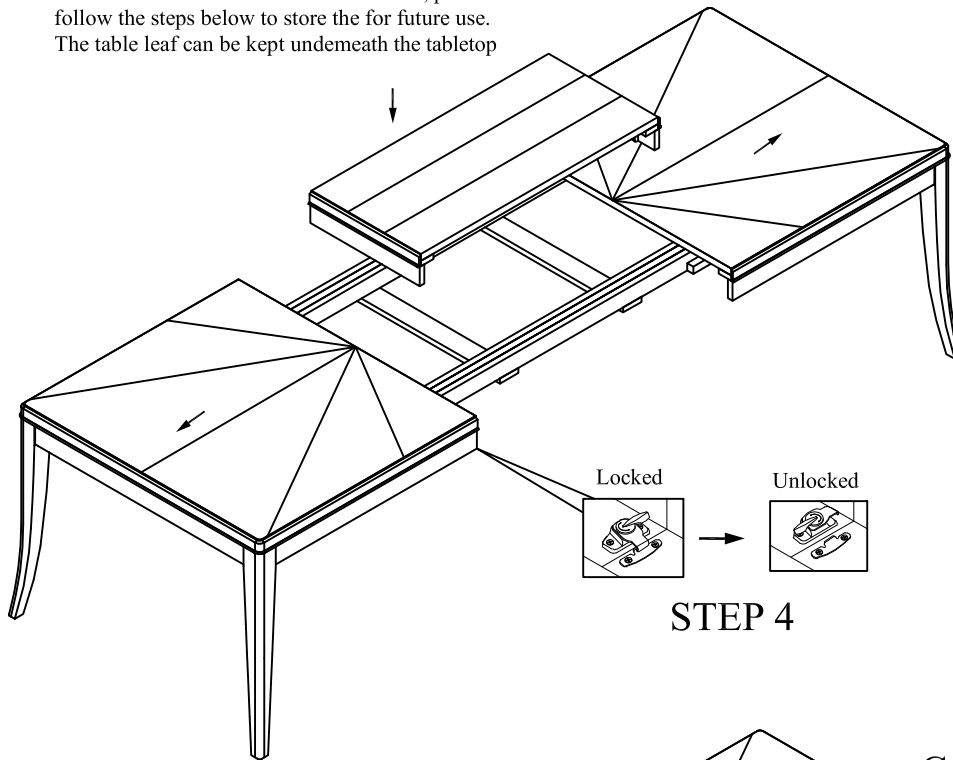
Hardware Pack Location(s):

4021-240 LEG 74" DINING TABLE, SKU# 42240212

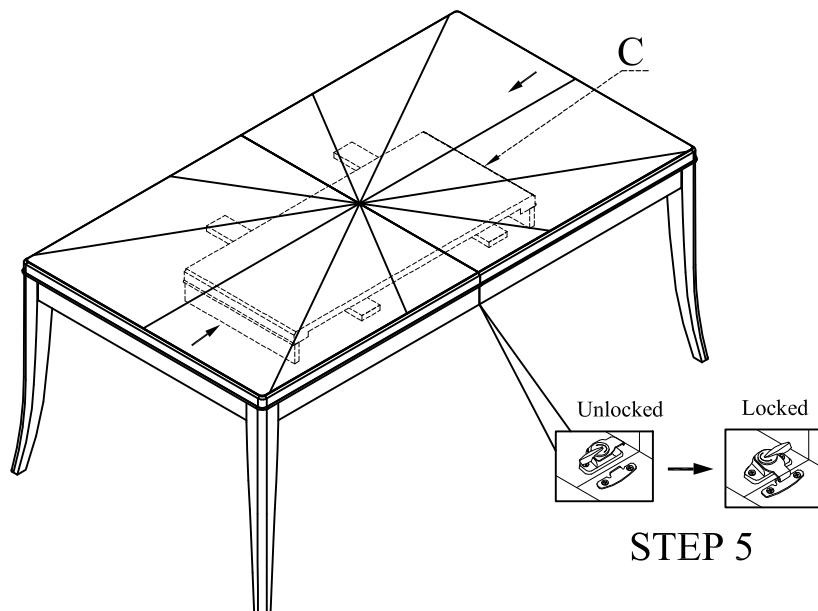
*** Caution: Please read all instructions carefully before starting the assembly process. These parts are cumbersome and heavy Therefore, two people are recommended in order to prevent personal injury and ensure the parts are not damaged during the assembly

*** Note: Do not tighten all the bolts until the assembly is fully complete

Please note: For use without the table leaf, please follow the steps below to store the for future use. The table leaf can be kept underneath the tabletop



STEP 4



STEP 5

Hardware Pack Location(s):

4021-240 LEG 74" DINING TABLE, SKU# 42240212