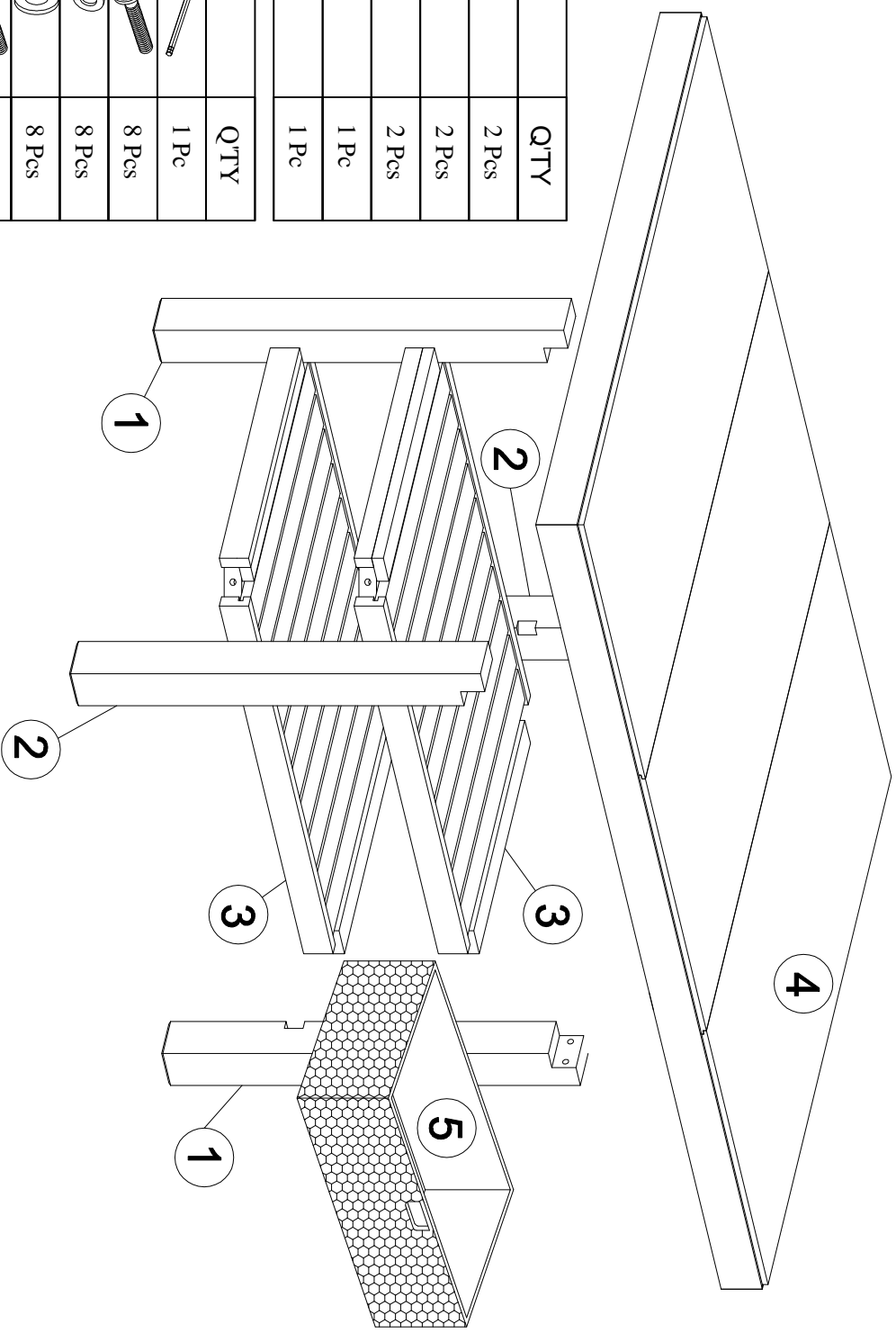






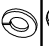


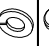

ASSEMBLY INSTRUCTION

DIRF Acadiana-09
Fixed Top Dining Table With One Rattan Basket

SKU# 42913885
SKU# 42214887



Step	Code	Part Name	QTY
1	1	Legs	2 Pcs
1	2	Legs	2 Pcs
1	3	Shelves Assembly	2 Pcs
2	4	Top Assembly	1 Pc
3	5	Rattan Basket	1 Pc

Step	Code	Hardware	QTY
	A	Allen key 	1 Pc
1	B	Allen bolt M8x50mm 	8 Pcs
1	C	Lock washer 1x8x12mm 	8 Pcs
1	D	Flat washer 1x8x19mm 	8 Pcs
2	B	Allen bolt M8x50mm 	8 Pcs
2	C	Lock washer 1x8x12mm 	8 Pcs
2	D	Flat washer 1x8x19mm 	8 Pcs



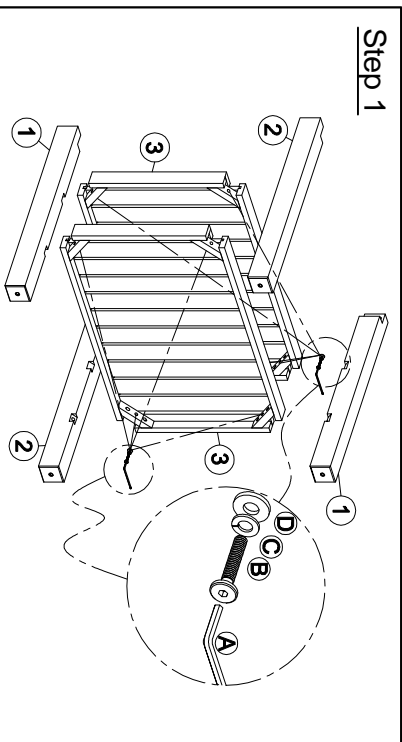
ASSEMBLY INSTRUCTION

DIRF Acadiana-09
Fixed Top Dining Table With One Rattan Basket

SKU# 42913885
SKU# 42214887

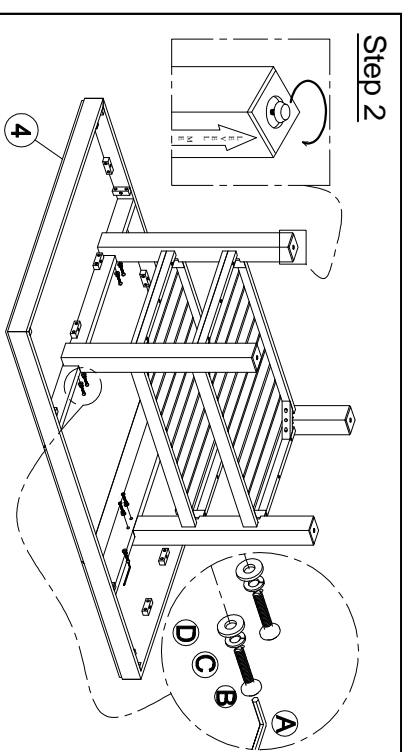
****Caution:** Please read all instructions carefully before starting the assembly process. These parts are cumbersome and heavy. Therefore, two people are recommended in order to prevent personal injury and insure the parts are not damaged during the assembly.

Step 1



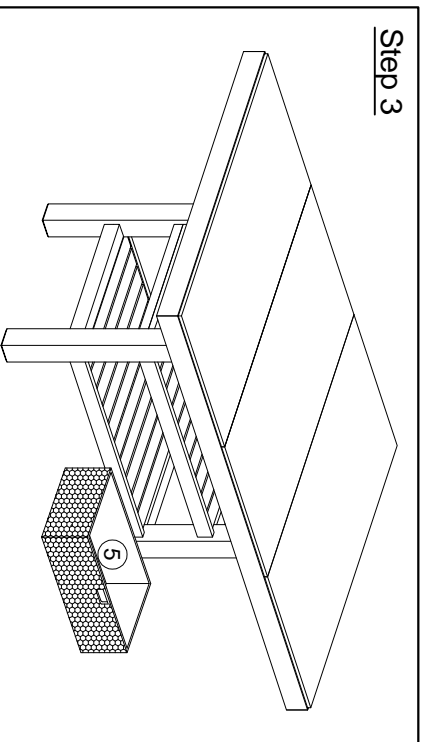
Attach the Legs (1) and Legs (2) to Shelves Assembly (3) with Allen bolt (B), Lock washer (C) and Flat wash (D) using Allen key (A). Do not fully tighten all bolts.

Step 2

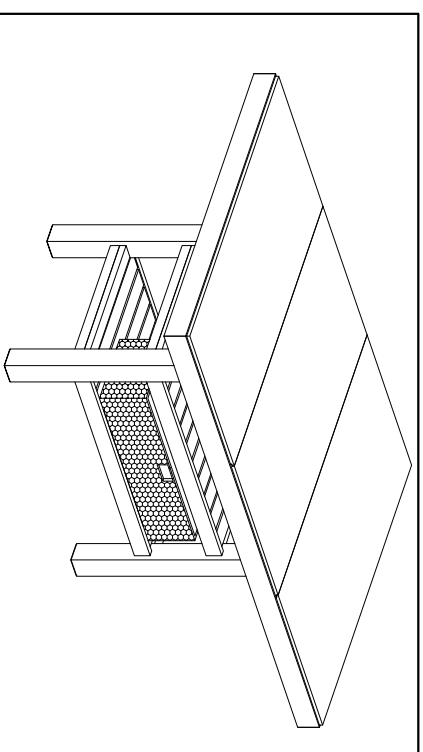


Lay flat the Top Assembly (4) to clean and flat surface. Secure the Leg (1) and Leg (2) to the Top Assembly (4) with Allen bolt (B), Lock washer (C) and Flat washer (D) using Allen key (A). Place the item in standing position and fully tighten all bolts.

Step 3



Put the Rattan Basket (5) in place



Product is ready to use.