



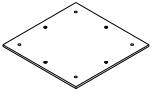
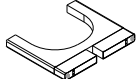
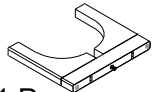
**Assembly Instructions**

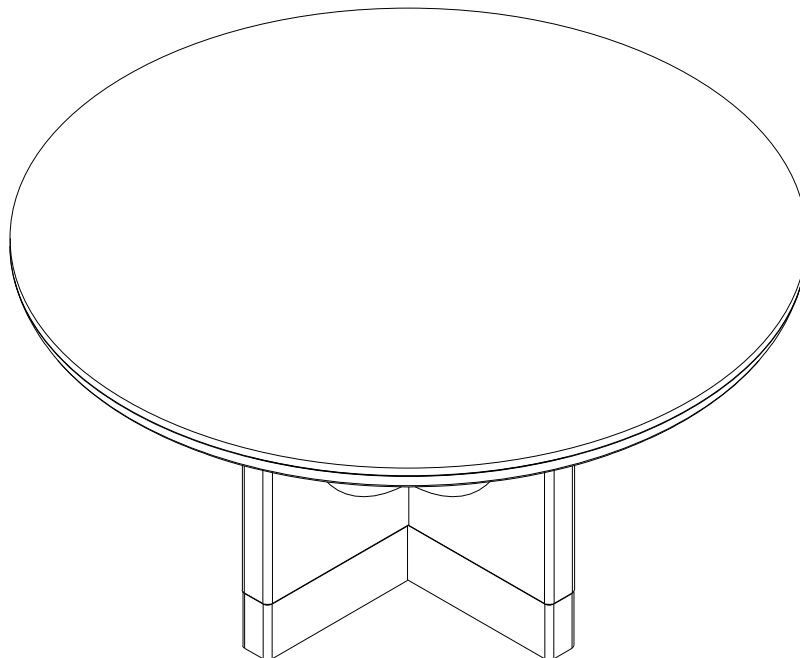
MGNH 5880-23 ROUND DINING TABLE SKU# 42258803

Version 1 - 2024/04/29

**PARTS LIST**

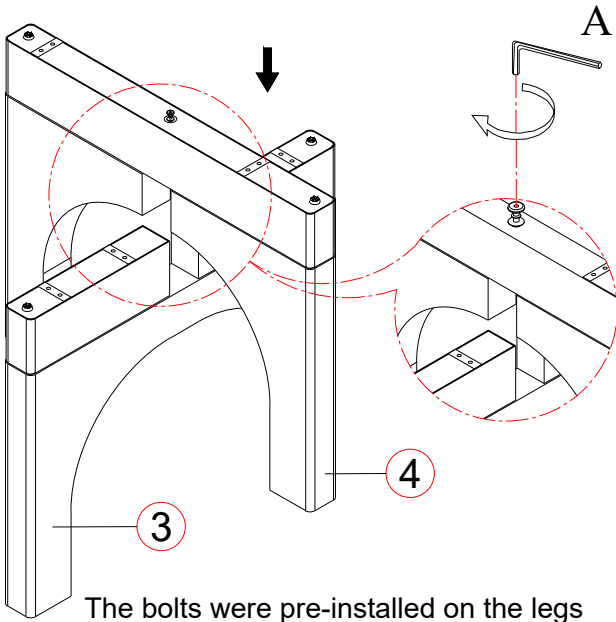
| Step | Code | Hardware   | Q'TY |
|------|------|--|------|
| 1    | A    | Allen key 4mm dia.  | 1 Pc |

|   |
|---|
|  |
| 1. Top Frame - 1 Pc   |
|  |
| 2. Sheft Panel - 1 Pc   |
|  |
| 3. Leg Frame "A"- 1 Pc  |
|  |
| 4. Leg Frame "B"- 1 Pc  |



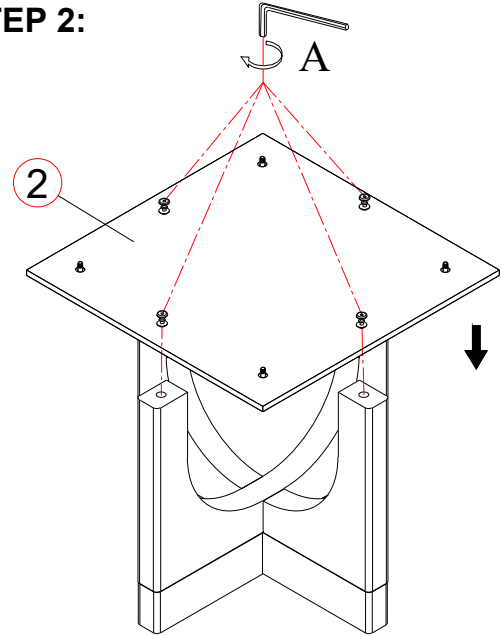
\*\*\*Cautions: Please read all instructions carefully before starting the assembly process. These parts are cumbersome and heavy. Therefore, two people are recommended in order to prevent personal injury and ensure the parts are not damaged during the assembly.

**STEP 1:**



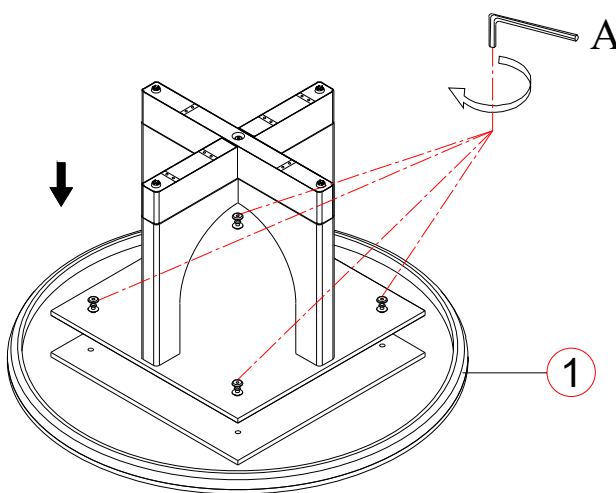
The bolts were pre-installed on the legs

**STEP 2:**



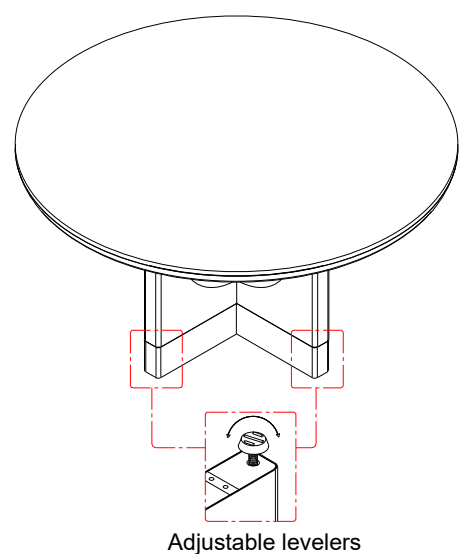
The bolts were pre-installed on shelf panel

**STEP 3:**



The 4 bolts were pre-installed on shelf panel ready for assembly to top(1)

**STEP 4:**



Adjustable levelers