

Assembly Instruction

Instructions d'assemblage

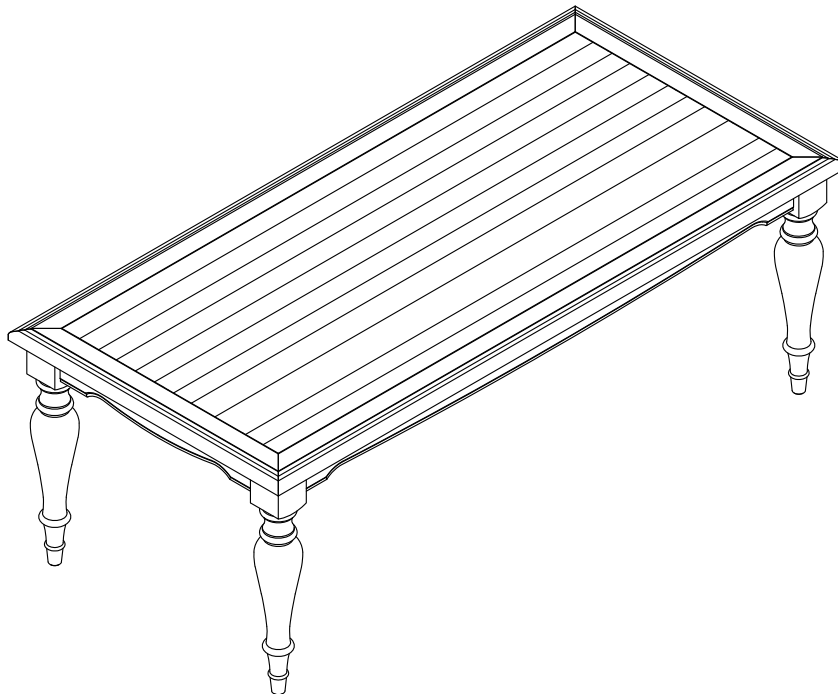
HOUS 6211-TB TURNING LEG DINING TABLE

SKU# 42162115

WARNING: To avoid alignment issue, please don't tighten the screws unless all legs are adjusted at the same level.

Step	Code	Hardware	QTY
1	A	Flat Washer Ø5/16"x 3/4" Rondelle plate Ø5/16"x 3/4"	8 PCS 8 Pièces
	B	Spring washer Ø5/16"x 1/2" Rondelle de ressort Ø5/16"x 1/2"	8 PCS 8 Pièces
	C	Hex Nut Ø5/16"x 12mm Ecrou hexagonal	8 PCS 8 Pièces
2	D	Wrench 3"x 1/2" Clé 3"x 1/2"	1 PC 1 Pièces

Step	Code	Part List	QTY
3	E	Table Top Dessus de table	1 PC 1 Pièce
4	F	Legs Pied	4 PCS 4 Pièces



ASSEMBLY COMPLETED / ASSEMBLÉE TERMINÉE

Hardware Pack Location (s):

HOUS 6211-TB TURNING LEG DINING TABLE

SKU# 42162115

*****Caution: Please read all instructions carefully before starting the assembly process. These parts are cumbersome and heavy. Therefore, two people are recommended in order to prevent personal injury and insure the parts are not damaged during the assembly.**

*****Avertissement: veuillez lire toutes les instructions attentivement avant de commencer l'assemblage. Ces pièces sont encombrantes et lourdes. Il est recommandé d'être deux personnes pour l'assemblage afin de prévenir des blessures et/ou risquer d'endommager les pièces.**

STEP 1
ÉTAPE 1

