


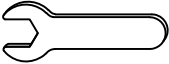


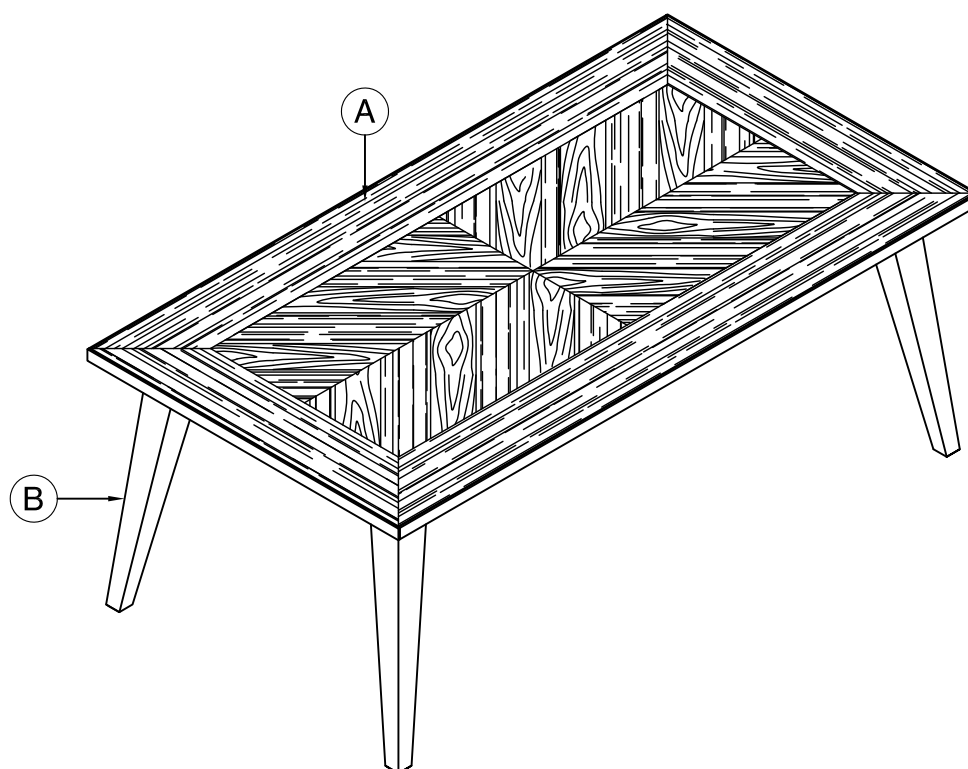
ASSEMBLY INSTRUCTIONS

ITCO 6316-2 DINING TABLE SKU : 42263169

Manufactured by ITCO for Rooms To Go

Thank you for purchasing this quality product . Be sure to check all packing material carefully for small parts which may have come loose inside the carton during shipment .Identify and count all parts and compare with the hardware list as below :

	No.	Picture	Description	Dimension	Qty
Hardware list	①		HEX NUT with washer	5/ 16"x 18T x 1/2"	8 Pcs
	②		Wrench	3" x 1/2"	1 Pc
Parts list	No.	Description			Qty
	A	TABLE TOP			1 Pc
	B	TABLE LEG			4 Pcs



PARTS DETAIL

Hardware Pack Location (s): Underneath table bottom

DINING TABLE, SKU : 42263169

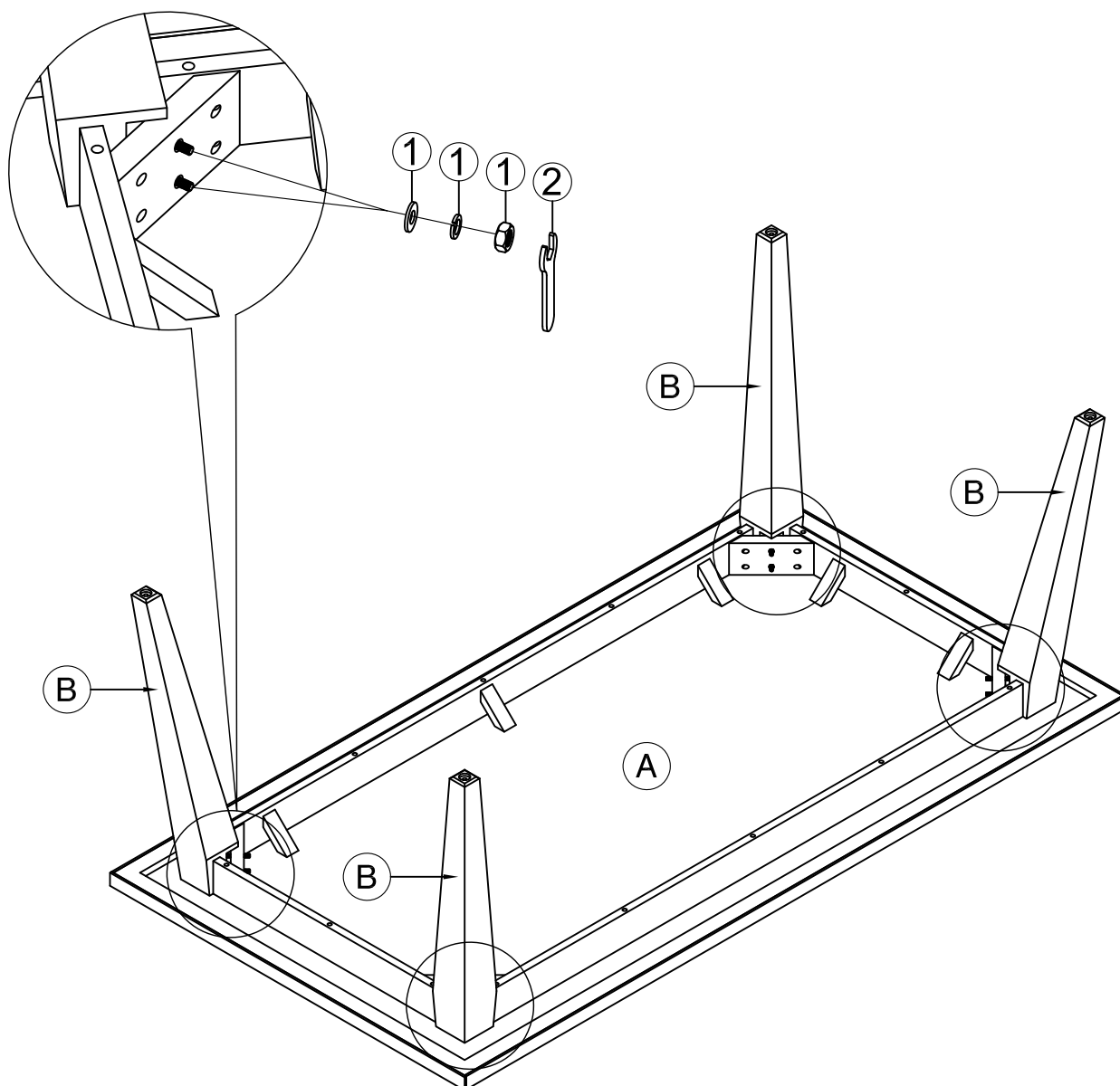
Version 1 - date created : 08-2023

Assembly Steps

STEP 1

Assemble table legs to the table top.

(NOTE: USE HARDWARE IN HARDWARE PACK)



NOTE :

To ensure that the unit is levelled, assemble the unit on flat & soft surface. DO NOT tighten all the screws & bolts until the unit been adjust & level all the legs so that they do not wobble. Once adjusted then only tighten all the screws using Allen Key while making sure the unit remain level.