




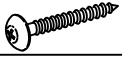



# ASSEMBLY INSTRUCTIONS

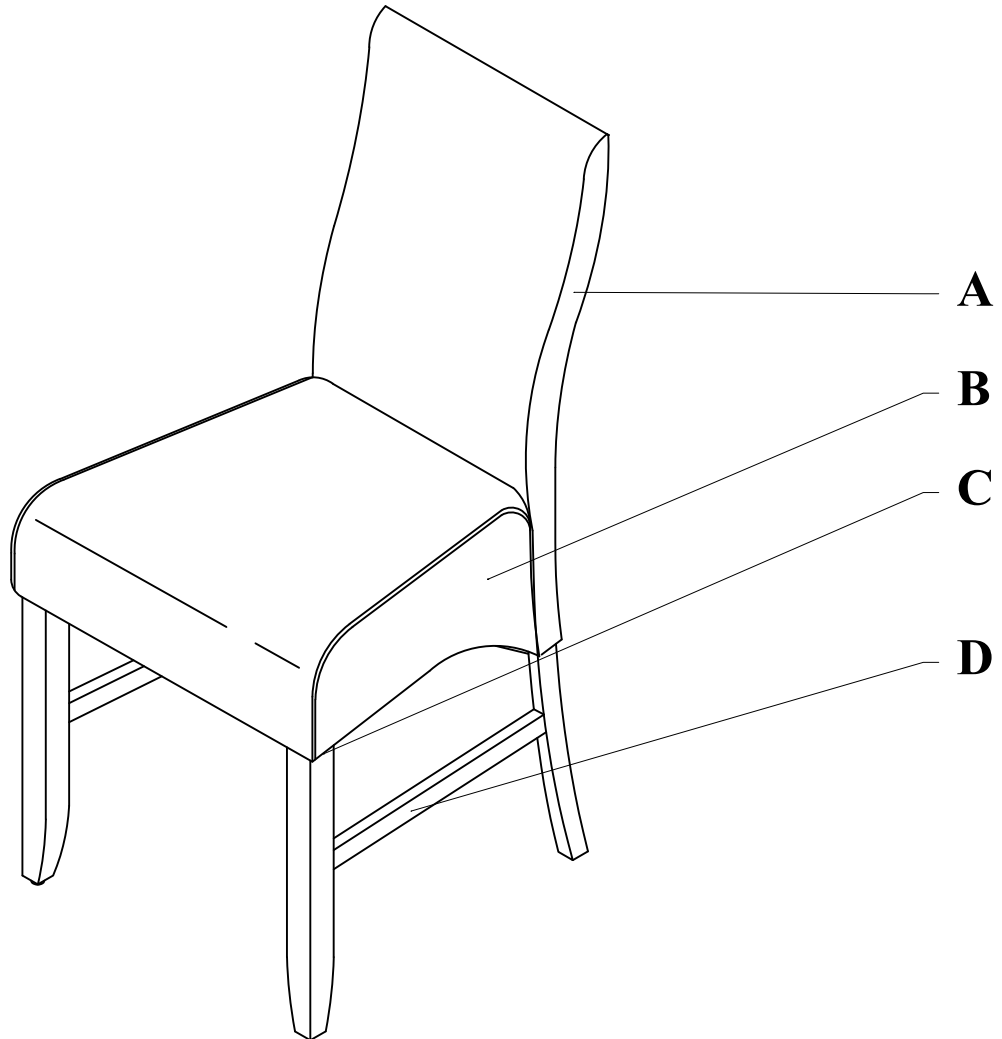
MODEL : 2662-18 SIDE CHAIR

SKU : 42126626, 42226628, 42326620, 42426622, 42526624, 42626626, 42726628.

Thank you for purchasing this quality product. Be sure to check all packing material carefully for small parts. Which may have come loose inside the carton during shipment. Identify and count all parts and compare with the hardware list as below :

	No.	Picture	Description	Dimension	Qty
Hardware List	①		JCBB M8	8 x P1.0 x 40mm [Length]	2 Pcs
	②		JCBB M8	8 x P1.0 x 80mm [Length]	8 Pcs
	③		Allen Wrench	M4	1 Pc
	④		Pan Head Screw M4	M4 x 38mm [Length]	4 Pcs
	⑤		Tools required (not included): PHILLIPS HEAD SCREW DRIVER		

	No.	Description	Qty
Parts List	A	Back rest	1 Pc
	B	Seat	1 Pc
	C	Front Leg (L & R)	2 Pcs
	D	Side Stretcher	2 Pcs

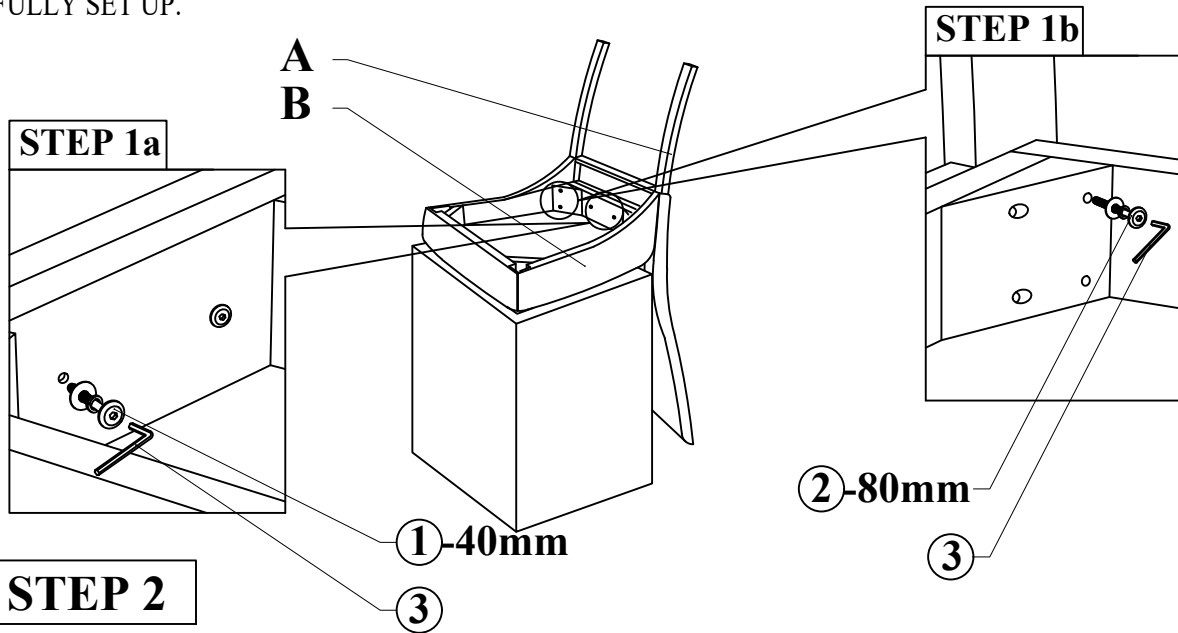


**PARTS DETAILS**

## Assembly step

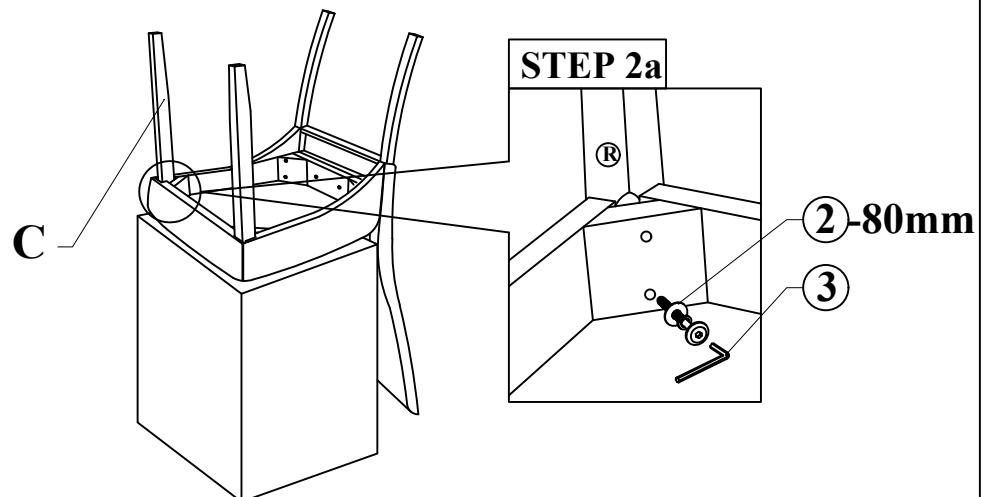
### STEP 1

Assemble **BACKREST** to **SEAT** as illustration shown. **DO NOT TIGHTEN THE SCREWS UNTIL FULLY SET UP.**



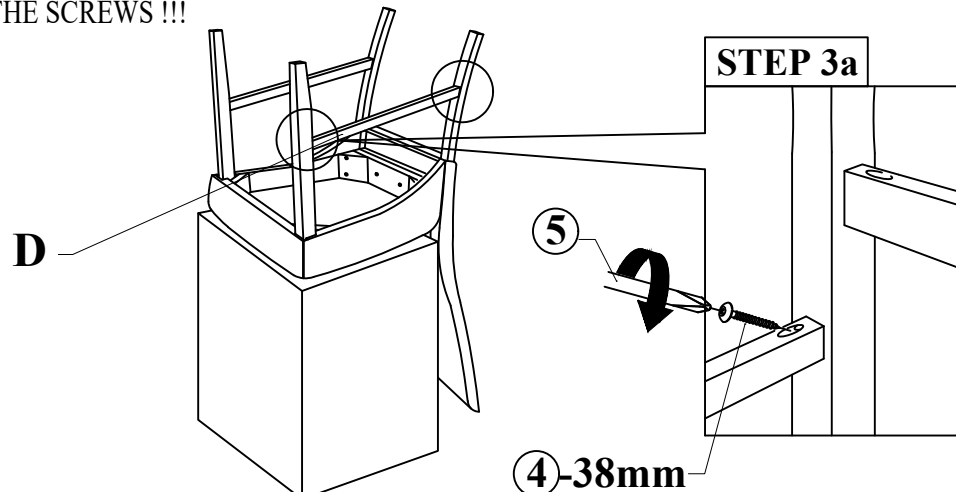
### STEP 2

Assemble **FRONT LEG** to **SEAT** as illustration shown. **DO NOT TIGHTEN THE SCREWS UNTIL FULLY SET UP.**



### STEP 3

Assemble **STRETCHER** to **LEG** as illustration shown. **(NOTE : USE HARDWARE IN BOX 4)**  
**TIGHTEN ALL THE SCREWS !!!**



#### NOTE:

To ensure that chair is level, assemble the chair on flat & soft surface. **DO NOT** tighten all the screw & bolts until the chair been adjust & level all the legs so that they do not wobble. Once adjusted then only tighten all the screw using Allen Key while making sure that the unit remain level.