


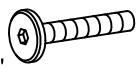


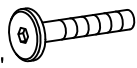


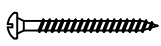


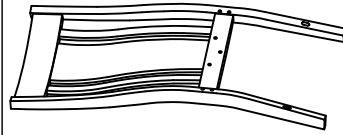

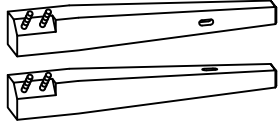
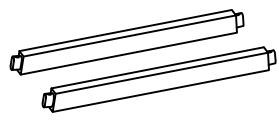
# Assembly Instruction

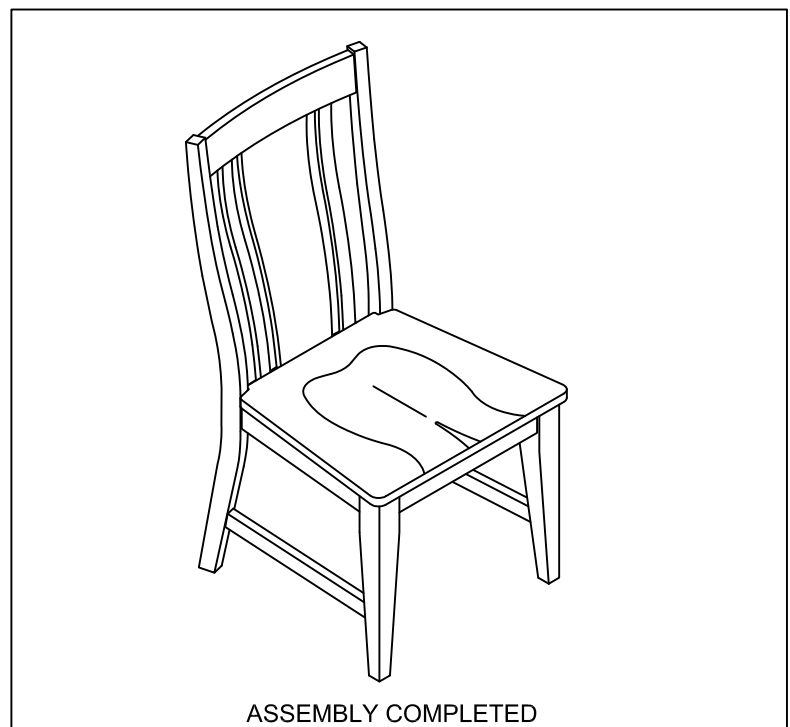
## Instructions d'assemblage

HOUS 9108-211 PANEL BACK CHAIR  
 HOUS 9109-212 PANEL BACK CHAIR  
 HOUS 9110-213 PANEL BACK CHAIR

SKU# 42391083  
 SKU# 42391095  
 SKU# 42391108

Step	Code	Hardware	Q'TY
1	A	Hex-Nut Ø5/16" Ecrou Hexagonal Ø5/16"	4 Pcs 4 Pièces
			
1	B	Spring Washer Ø5/16" x Ø1/2" x 1/16" Rondelle de ressort Ø5/16" x Ø1/2" x 1/16"	4 Pcs 4 Pièces
			
1	C	Flat Washer Ø5/16" x Ø3/4" x 1/16" Rondelle plate Ø5/16" x Ø3/4" x 1/16"	4 Pcs 4 Pièces
			
2	D	Bolt Ø1/4" x 20 x 1-1/2" Boulon Ø1/4" x 20 x 1-1/2"	3 Pcs 3 Pièces
			
2	B	Spring Washer Ø5/16" x Ø1/2" x 1/16" Rondelle de ressort Ø5/16" x Ø1/2" x 1/16"	3 Pcs 3 Pièces
			
2	C	Flat Washer Ø5/16" x Ø3/4" x 1/16" Rondelle plate Ø5/16" x Ø3/4" x 1/16"	3 Pcs 3 Pièces
			
3	E	Bolt Ø1/4" x 20 x 3-3/8" Boulon Ø1/4" x 20 x 3-3/8"	4 Pcs 4 Pièces
			
3	B	Spring Washer Ø5/16" x Ø1/2" x 1/16" Rondelle de ressort Ø5/16" x Ø1/2" x 1/16"	4 Pcs 4 Pièces
			
3	C	Flat Washer Ø5/16" x Ø3/4" x 1/16" Rondelle plate Ø5/16" x Ø3/4" x 1/16"	4 Pcs 4 Pièces
			
4	F	Screw Ø8 x Ø4 x 2" Vis a bois Ø8 x Ø4 x 2"	4 Pcs 4 Pièces
			
	G	Wrench 3" x 1/2" Clé 3" x 1/2"	1 Pc 1 Pièce
	H	Allen Key 5/32" Clé Allen 5/32"	1 Pc 1 Pièce

	PART LIST	QTY'
1	CHAIR BACK DOSSIER DE CHAISE 	1 PC 1 PIÈCE
2	SEAT SIEGE 	1 PC 1 PIÈCE
3	FRONT LEG (LEFT - RIGHT) PIEDS AVANT (GAUCHE - DROIT) 	2 PCS 2 PIÈCES
4	SIDE STRETCHER (LEFT - RIGHT) BARREAU (GAUCHE-DROIT) 	2 PCS 2 PIÈCES



### Hardware Pack Location(s):

PANEL BACK CHAIR , SKU# 42391083  
 PANEL BACK CHAIR , SKU# 42391095  
 PANEL BACK CHAIR , SKU# 42391108

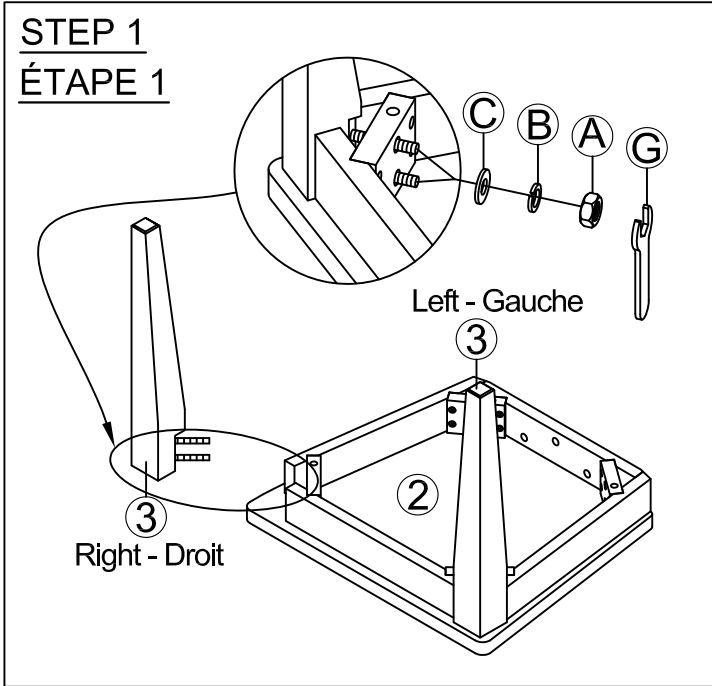
# Assembly Instruction Instructions d'assemblage

HOUS 9108-211 PANEL BACK CHAIR  
 HOUS 9109-212 PANEL BACK CHAIR  
 HOUS 9110-213 PANEL BACK CHAIR

SKU# 42391083  
 SKU# 42391095  
 SKU# 42391108

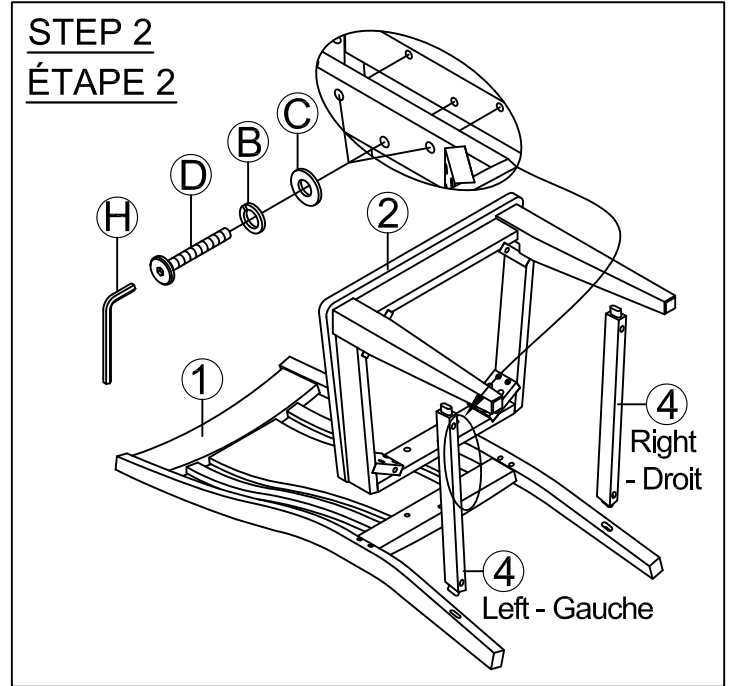
\*\*\*Caution: Please read all instructions carefully before starting the assembly process. These parts are cumbersome and heavy. Therefore, two people are recommended in order to prevent personal injury and insure the parts are not damaged during the assembly.

\*\*\*Avertissement: veuillez lire toutes les instructions attentivement avant de commencer l'assemblage. Ces pièces sont encombrantes et lourdes. Il est recommandé d'être deux personnes pour l'assemblage afin de prévenir des blessures et/ou risquer d'endommager les pièces.

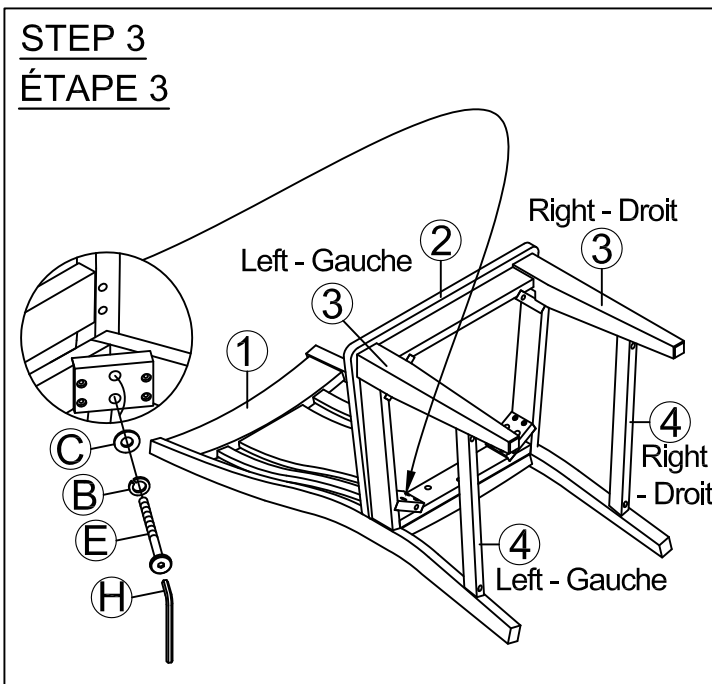


Attach the front legs to the seat frame.

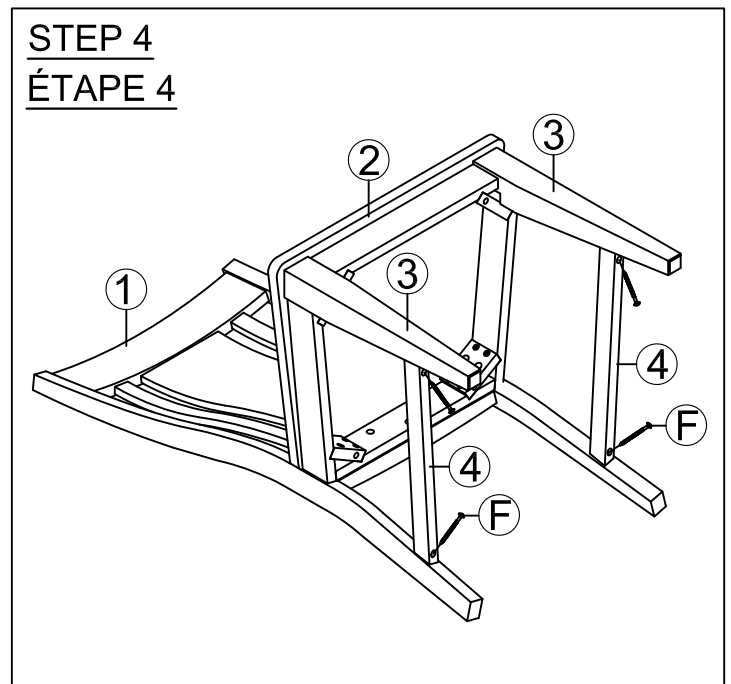
Note: Do not tighten all screws & bolts until the seat is fully assembly



Attach the seat frame & front legs to the chair back. At the same time attach the side stretchers to front legs and the chair back.



Screw the seat frame corner to the rear legs.



Attach the screws to the side stretchers.