

ASSEMBLY INSTRUCTIONS

MIYO 9252-2W ROUND DINING TABLE SKU#42392528

Caution: Please read instructions thoroughly before unpacking assembly parts. Sharp, exposed staple tips can cause injury, therefore, for your protection, please remove any exposed staple used in packing.

1. We recommend that you should assemble this product with the assistance of another person; this will make assembly easier, and will help to eliminate damage to the product or injury to persons during assembly.
2. Be sure to check all packing materials carefully for small parts that may have come loose inside the carton during shipment.
3. Please do not over tighten screws or bolts.
4. Please put all parts on a non-abrasive floor before assembly, and follow the assembly steps to assemble your newly purchased product correctly and efficiently.



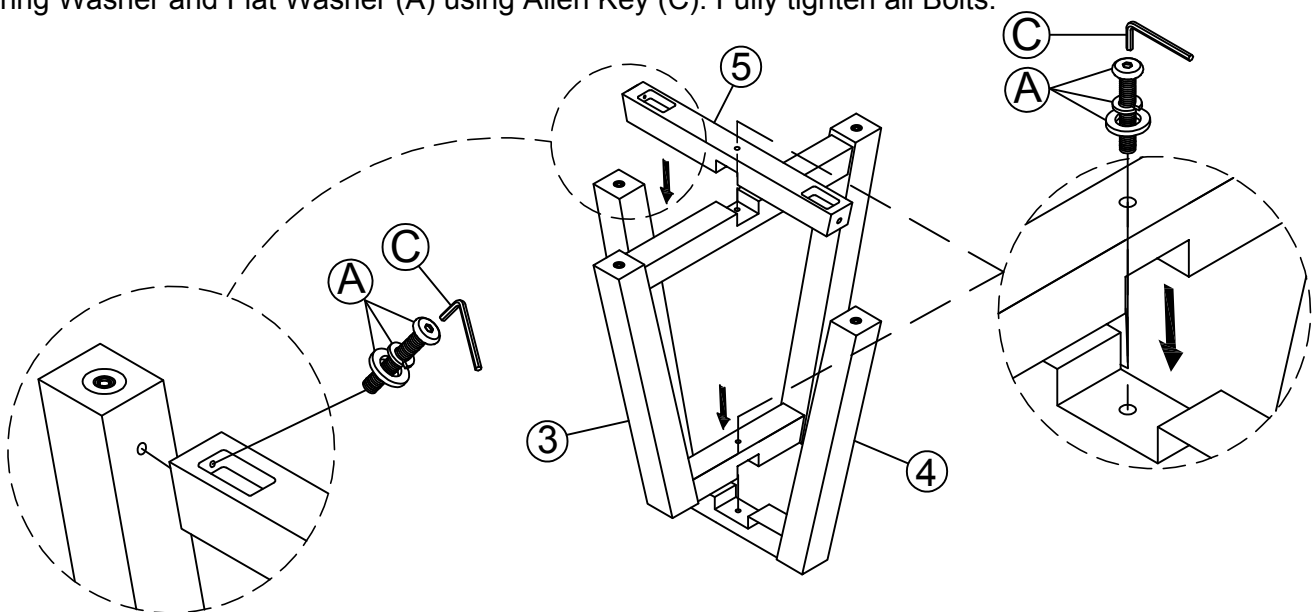
HARDWARE LISTS			
NO.	SKETCH	DESCRIPTION	Q'TY
A		Allen Bolt Ø5/16" x 18 x 2 1/8"	8PCS
		Spring Washer Ø5/16"	8PCS
		Flat washer Ø5/16" x 19mm x 2mm	8PCS
B		Allen Bolt Ø1/4" x 20 x 1 3/8"	4PCS
		Spring Washer Ø1/4"	4PCS
		Flat Washer Ø1/4" x 19mm x 2mm	4PCS
C		Allen Wrench 4mm	1PC

PART LISTS			
NO.	SKETCH	DESCRIPTION	Q'TY
1		TABLE TOP	1PC
2		MOUNING PLATE	1PC
3		TABLE LEG	1PC
4		TABLE LEG	1PC
5		STRETCHER	1PC

HARDWARE PACK LOCATION (1)
9252-2W ROUND DINING TABLE SKU#42392528

STEP 1

Secure the Table Leg (3) to the Table Leg (4), Secure Stretcher (5) to the Table Leg (4) with Allen Bolt, Spring Washer and Flat Washer (A) using Allen Key (C). Fully tighten all Bolts.

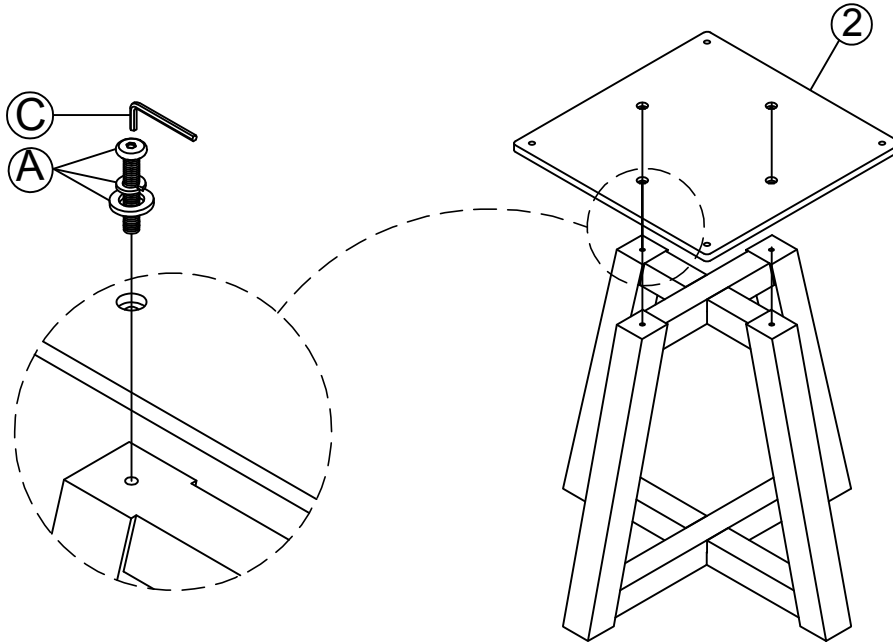


This product is manufactured by MIYO for ROOMS TO GO®

ASSEMBLY INSTRUCTIONS
MIYO 9252-2W ROUND DINING TABLE SKU#42392528

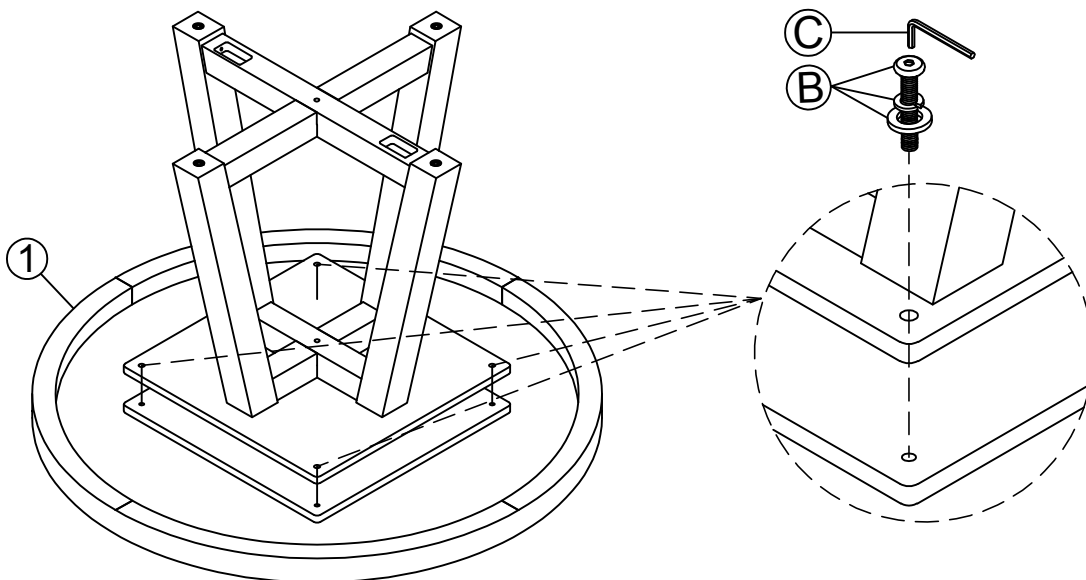
STEP 2

Secure Connecting Plate (2) to the Table Leg (3,4) with Allen Bolt , Spring Washer and Flat Washer (A) using Allen Key (C). Fully tighten all Bolts.



STEP 3

Carefully place the Table Top (1) bottom side up. With assistance, turn the assembled base upside down and place it on the Table Top (1). as shown in the diagram. Secure Table Leg (3,4) with Allen Bolt , Spring Washer and Flat Washer (B) using Allen Key (C). Fully tighten all Bolts.



This product is manufactured by MIYO for **ROOMS TO GO®**

ASSEMBLY INSTRUCTIONS
MIYO 9252-2W ROUND DINING TABLE SKU#42392528

STEP 4

