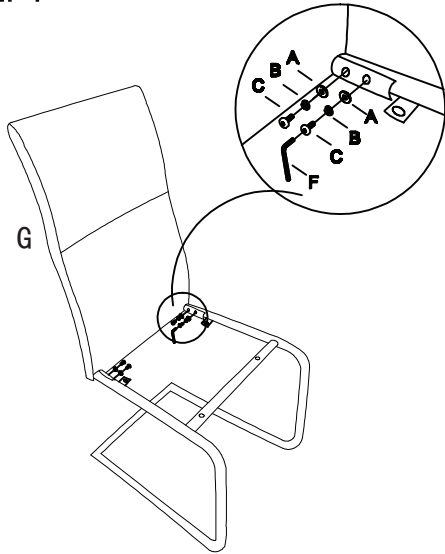


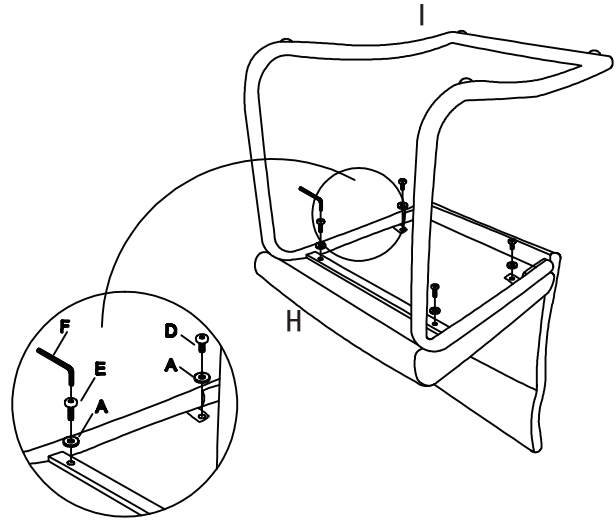
# ASSEMBLY INSTRUCTIONS

SKU 42465814 GRAM ND658-01 CHAIR

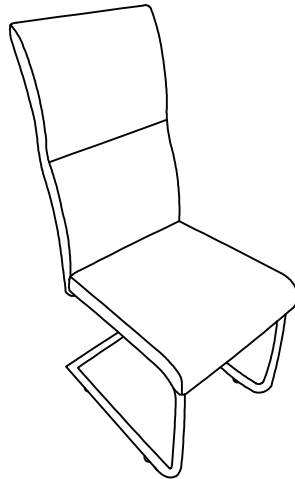
## STEP1









## STEP2




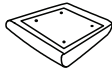
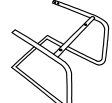
## STEP3



### HARDWARE LIST

STEP	CODE		DESCRIPTION	QTY
1	A		<b>Washer Ø16*1.2mm</b>	8pcs
1	B		<b>LOCK WASHER Ø6mm</b>	4pcs
1	C		<b>Bolt M6*16mm</b>	4pcs
2	D		<b>Bolt M6*20mm</b>	2pcs
2	E		<b>Bolt M6*25mm</b>	2pcs
	F		<b>ALLEN WRENCH 5mm</b>	1pc

### PART LIST

NO	DESCRIPTION	SKETCH	QTY
G	Chair back		<b>1pc</b>
H	Seat Cushion		<b>1pc</b>
I	Frame		<b>1pc</b>