

ASSEMBLY INSTRUCTIONS

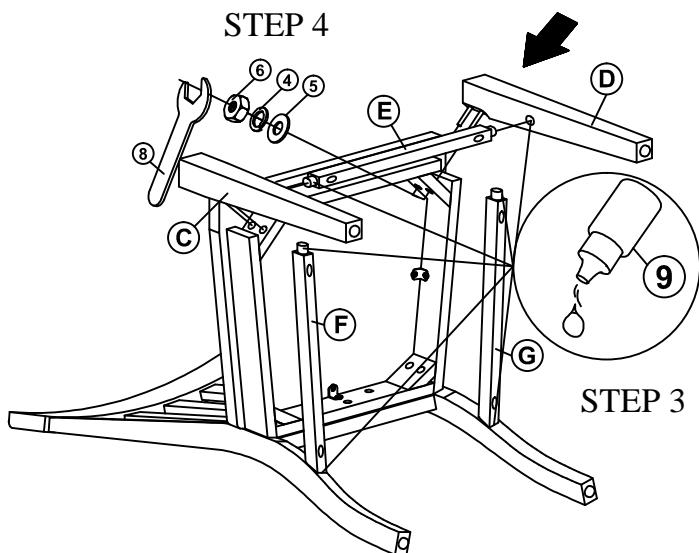
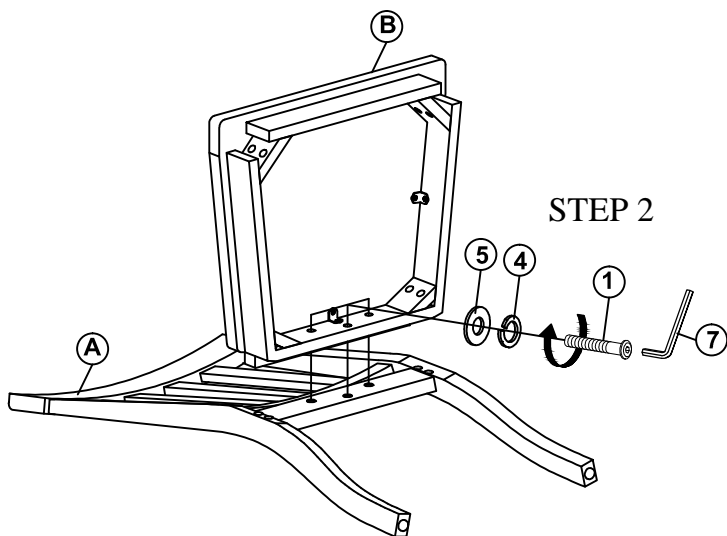
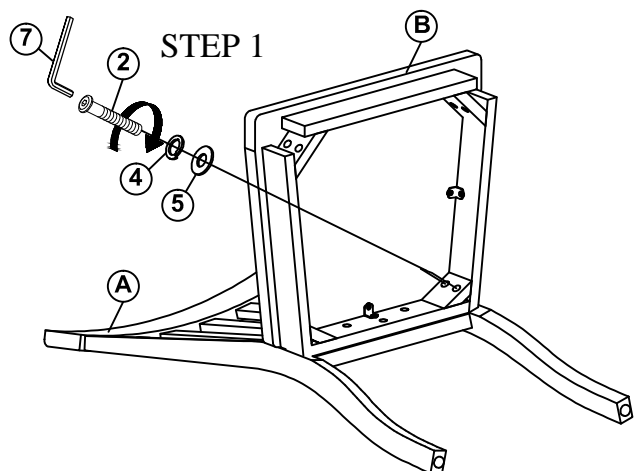


SSIC SKU# 42414007

SIDE CHAIR

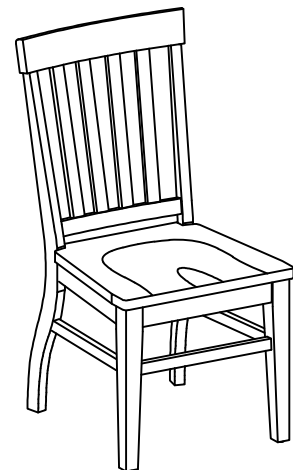
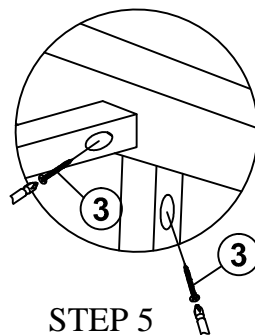
400SC

Thank you for purchasing this quality product. Be sure to check all packing material carefully for small parts, which may have come loose inside the carton during shipment. Identify and count all parts and compare with the lists below.



No.	PARTS LIST		
A		Chair Back	1
B		Wood Seat w/ Seat Box	1
C		LSF Front Leg	1
D		RSF Front Leg	1
E		Front Stretcher	1
F		Left Stretcher	1
G		Right Stretcher	1

No.	HARDWARE LIST		
1		Short Bolt Ø5/16"*40mm	3
2		Long Bolt Ø5/16"*76mm	4
3		Screw Ø8*45mm	6
4		Lock Washer Ø5/16 *8mm	11
5		Flat Washer Ø 5/16 * 19mm	11
6		Hex Nut Ø5/16"*12mm	4
7		Allen Key 4*30*80mm	1
8		Wrench 12mm	1
9		Wood Glue	1
10		Allen Key 100mm	1



CLEANING INSTRUCTION: Clear with a soft cloth and warm water with a diluted mild detergent. Follow with a soft cloth and clear water rinse. Then dry thoroughly with a soft cloth.

MADE IN VIET NAM