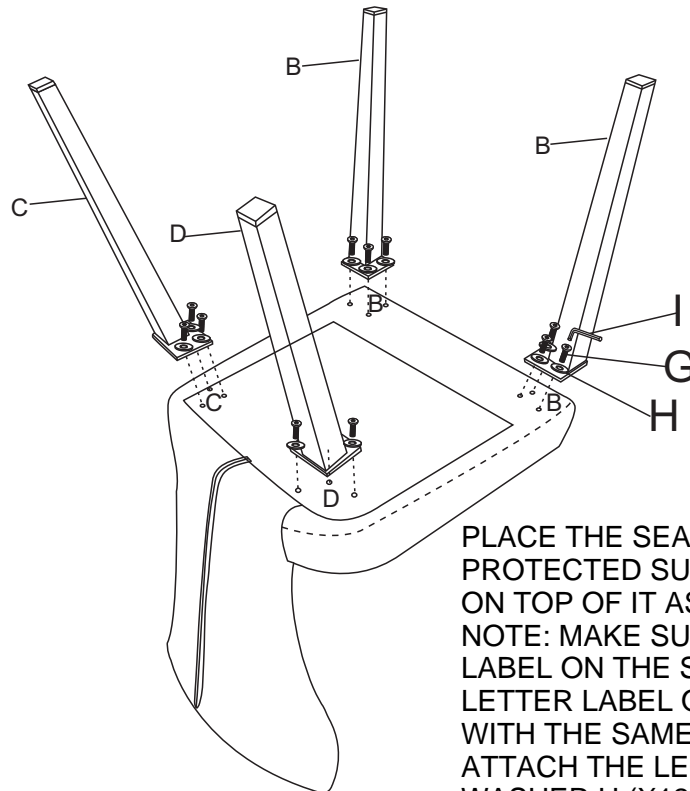


ASSEMBLY INSTRUCTIONS

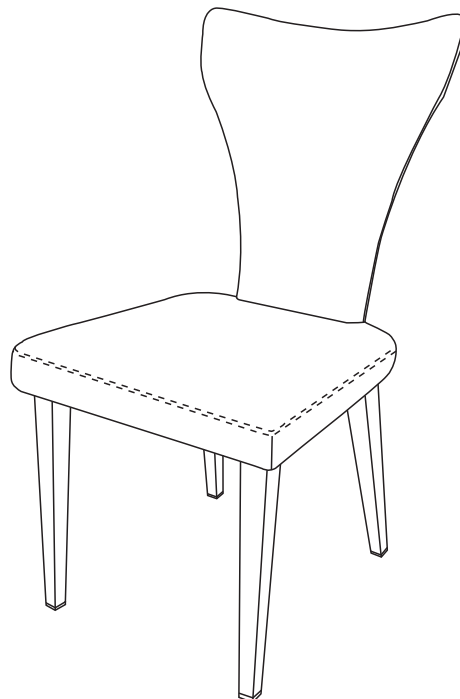
SKU 42416277	CRAM	ND027-11	SIDE CHAIR
SKU 42516279	CRAM	ND027-13	SIDE CHAIR
SKU 42616271	CRAM	ND027-15	SIDE CHAIR
SKU 42716273	CRAM	ND027-17	SIDE CHAIR

STEP1



PLACE THE SEAT CUSHION ON A FLAT PROTECTED SURFACE AND SET THE LEG ON TOP OF IT AS PICTURED.
NOTE: MAKE SURE THAT THE LETTER LABEL ON THE SEAT CUSHION AND THE LETTER LABEL ON THE LEG ARE MATCHED WITH THE SAME LETTER.
ATTACH THE LEG WITH BOLT G (X12) AND WASHER H (X12) TO THE SEAT CUSHION.
TIGHTEN ALL BOLTS.

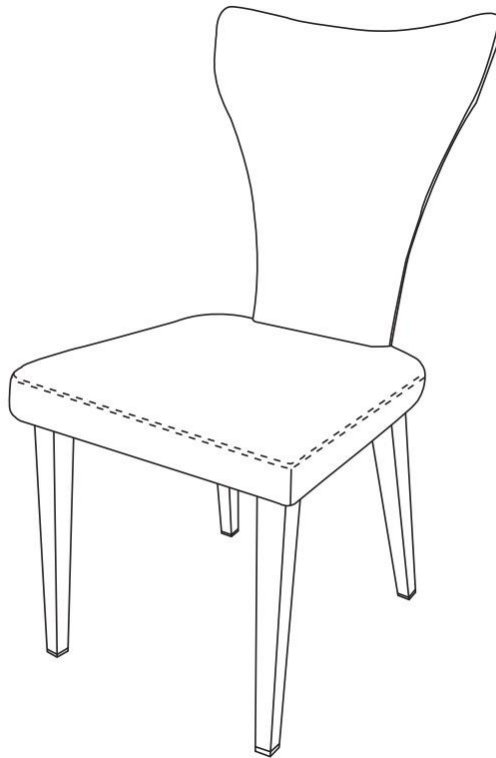
STEP2



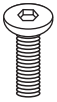

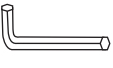
Note: Please do not tighten all bolts until the item is fully assembled. Once assembled tighten all bolts.
Not for commercial use.

ASSEMBLY INSTRUCTIONS






SKU 42416277 CRAM ND027-11 SIDE CHAIR
 SKU 42516279 CRAM ND027-13 SIDE CHAIR
 SKU 42616271 CRAM ND027-15 SIDE CHAIR
 SKU 42716273 CRAM ND027-17 SIDE CHAIR



HARDWARE LIST

CODE		DESCRIPTION	QTY
G		Bolt M6*16mm	12Pcs
H		Washer Ø16*1.5mm	12Pcs
I		Allen Wrench 5mm	1Pc

PART LIST

NO	DESCRIPTION	SKETCH	QTY
A		Chair back & seat	1
B		Front leg	2
C		Left rear leg	1
D		Right rear leg	1
E		Glide(25x25x20mmL)	4
F		Hardware Package	1