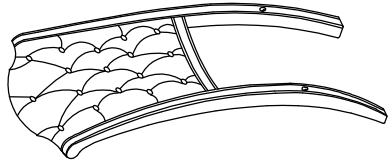


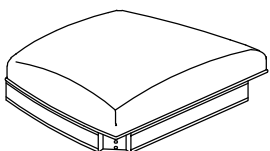
This product is manufactured by PNWD for Rooms To Go

Step	Code	Hardware	Q'TY
	A	Allen key 4mm dia.	1 Pc
1	B	Short Bolt 1/4" x 20 x 1 5/8"	2 Pcs
		Spring Washer 5/16" x 19 x 2mmT	
		Flat Washer 5/16" x 11 x 2mmT	
	C	Long Bolt 5/16" x 18 x 2 3/4"	4 Pcs
		Spring Washer 5/16" x 19 x 2mmT	
		Flat Washer 5/16" x 11 x 2mmT	
2	D	Wood Screws 5/32" x 1 3/4"	2 Pcs
3	C	Long Bolt 5/16" x 18 x 2 3/4"	4 Pcs
		Spring Washer 5/16" x 19 x 2mmT	
		Flat Washer 5/16" x 11 x 2mmT	
	D	Wood Screws 5/32" x 1 3/4"	2 Pcs


PARTS LIST




1. Chair Back - 1 Pc




2. Seat Frame With Cushion - 1Pc




3. Left Front Legs - 1 Pc



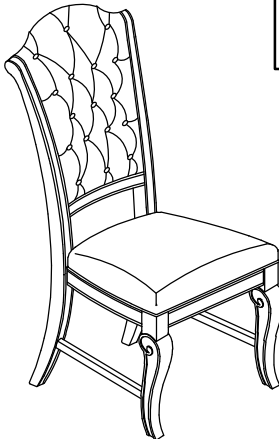
4. Right Front Legs - 1 Pc



5. Left Side Stretchers - 1 Pc



6. Right Side Stretchers - 1 Pc



Tool Required: Phillips screwdriver
(not provided)

HARDWARE PACK FOR 2 PCS SIDE CHAIR LOCATION(S):

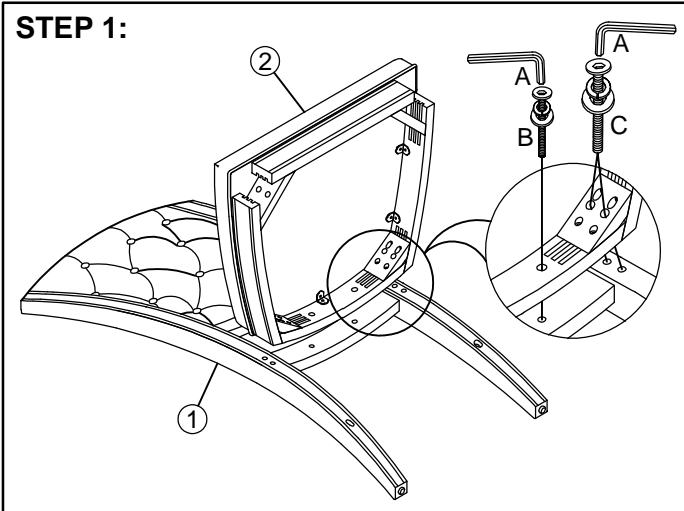
PNWD 1733- SC SIDE CHAIR

SKU# 42417332

This product is manufactured by PNWD for Rooms To Go

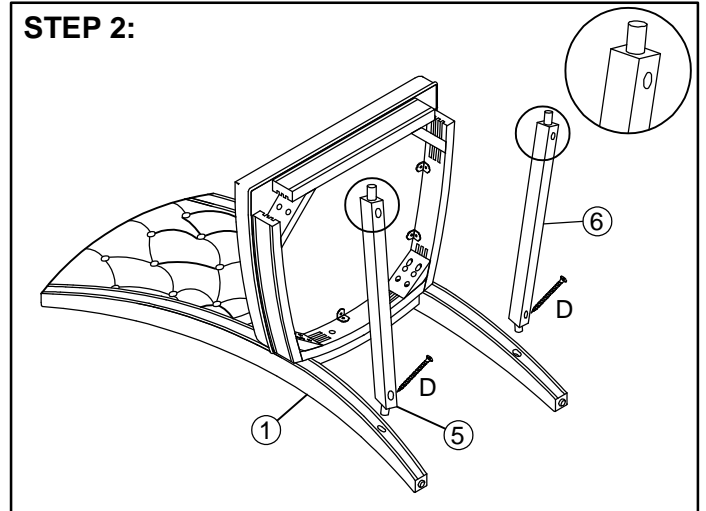
***Cautions: Please read all instructions carefully before starting the assembly process. These parts are cumbersome and heavy. Therefore, two people are recommended in order to prevent personal injury and ensure the parts are not damaged during the assembly.

STEP 1:



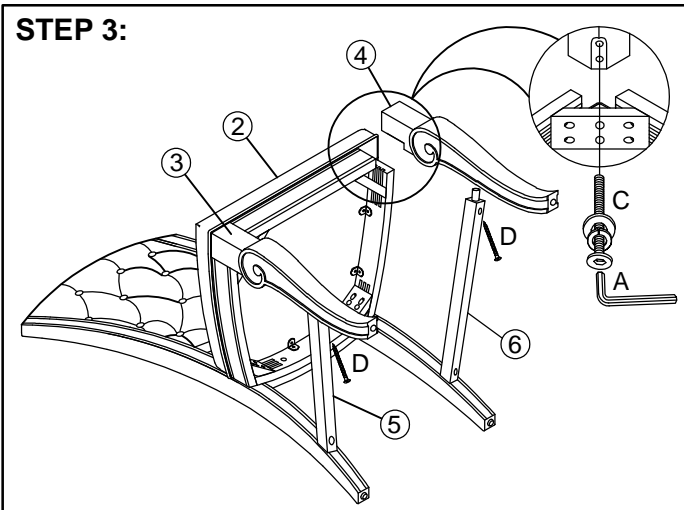
Attach the seat frame with cushion to the chair back
Note: Do not tighten all screws & bolts until the seat is fully assembled.

STEP 2:



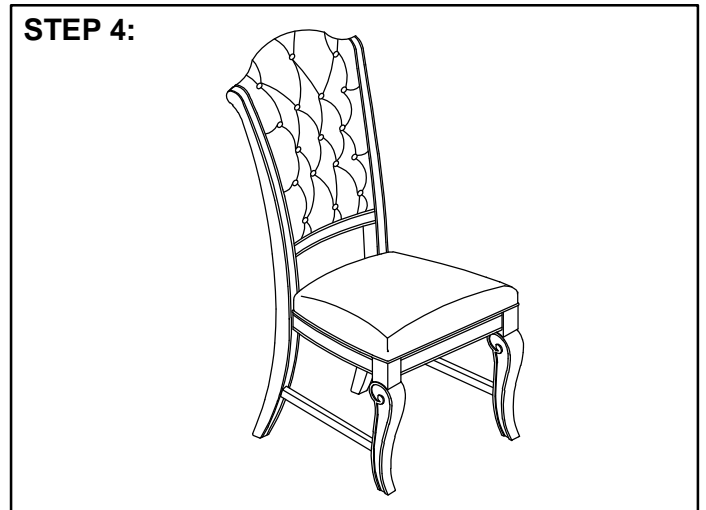
Attach the side stretchers to the back legs.

STEP 3:



Attach the front legs to side stretcher and seat.
Secure the side stretchers to the front legs.

STEP 4:



Turn side chair to the upright position, apply firm pressure to align and fully tighten all bolts and screws.