

Manufactured by (HFSB) for Rooms To Go

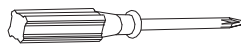
Thank you for purchasing this quality product. Be sure to check all packing material carefully for small parts. Which may have come loose inside the carton during shipment. Identify and count all parts and compare with the hardware list as below:

PARTS LIST

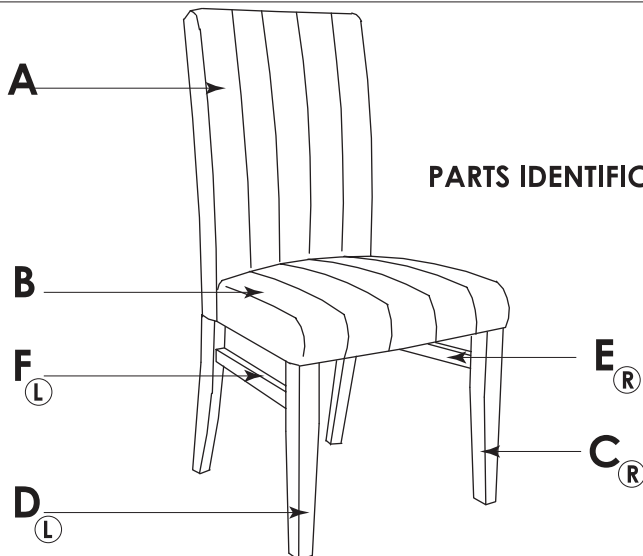
ITEM	DIAGRAM	DESCRIPTION	QUANTITY
A		CHAIR BACK	1 Pc
B		CHAIR SEAT	1 Pc
C		FRONT LEG RIGHT with sticker (R)	1 Pc
D		FRONT LEG LEFT with sticker (L)	1 Pc
E		RIGHT STRETCHER with sticker (R)	1 Pc
F		LEFT STRETCHER with sticker (L)	1 Pc

HARDWARE LIST

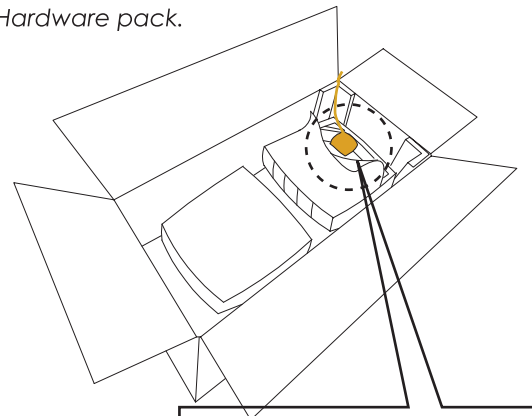
ITEM	DIAGRAM	DESCRIPTION	DIMENSION	QUANTITY
1		ALLEN KEY	M4	1 Pc
2		JCBC BOLT	M6 x P1.0 x 35mm	2 Pcs
		SPRING WASHER	M6 x 12mm	2 Pcs
		FLAT WASHER	M6 x 19 x 1.0mm	2 Pcs
3		JCBC BOLT	M6 x P1.0 x 70mm	8 Pcs
		SPRING WASHER	M6 x 12mm	8 Pcs
		FLAT WASHER	M6 x 19 x 1.0mm	8 Pcs
4		CSK SCREW	M4 x 38mm	4 Pcs



TOOLS REQUIRED - Household Screwdriver (not provided)



Take out chart parts from the carton until you get to the Chair seat. Peel out the velcro cloth underside of the chair seat to reach the Hardware pack.



Hardware Pack Location:

Hardware Pack Location(s):

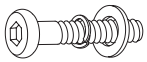
SIDE CHAIR, SKU # 42420264, 42420288, 42620268, 42620282

VERSION # - 22 JANUARY 2024

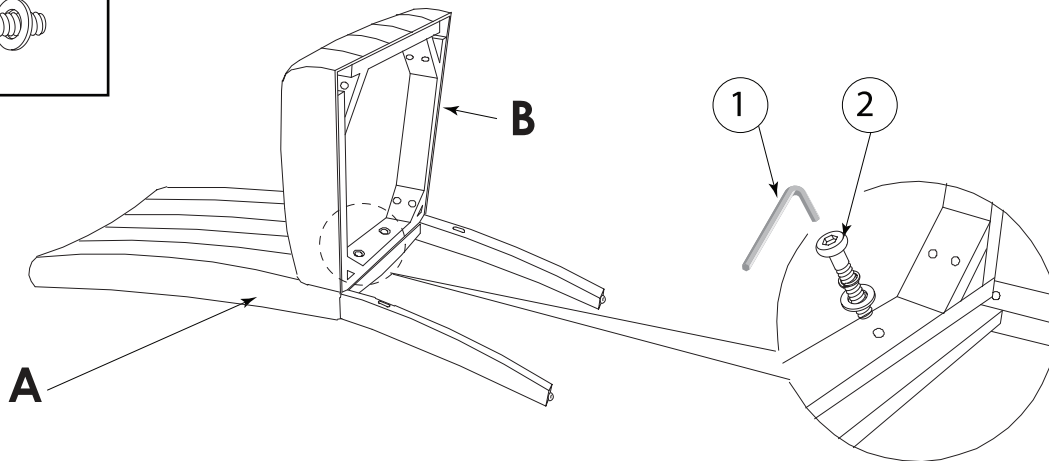
ASSEMBLY STEPS

STEP 1

2 x 2 sets

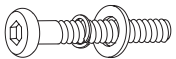


Assemble Chair Seat (B) into the Chair Back (A) by aligning Bolts (2) fitted with Spring Washer & Flat Washer. Use Allen Key (1) to tighten the bolts

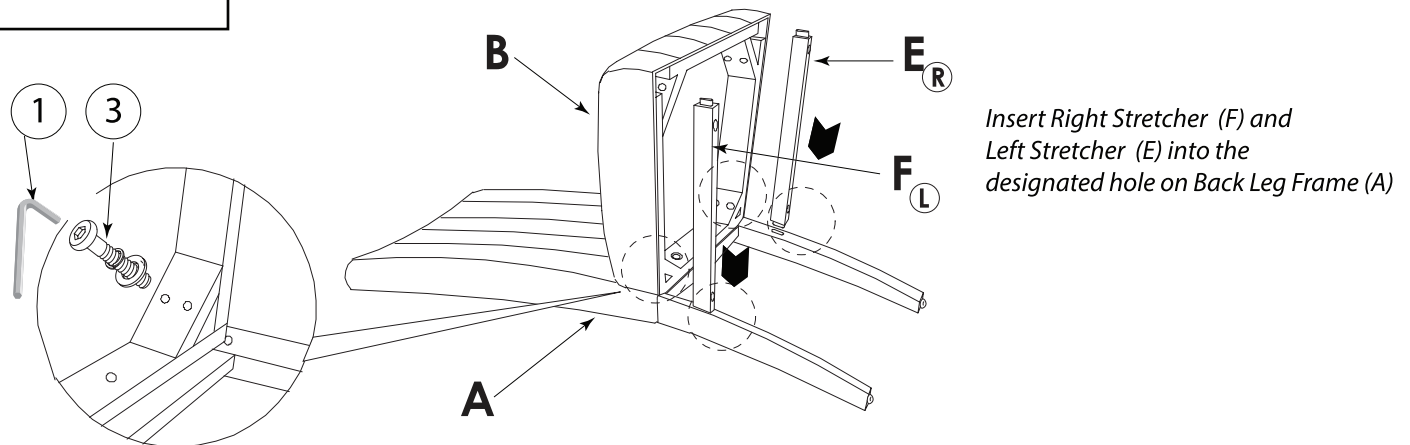


STEP 2

3 x 4 sets



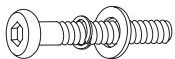
Assemble Chair Seat (B) into the Chair Back (A) by aligning Bolts (3) fitted with Spring Washer & Flat Washer. Use Allen Key (1) to tighten the bolts



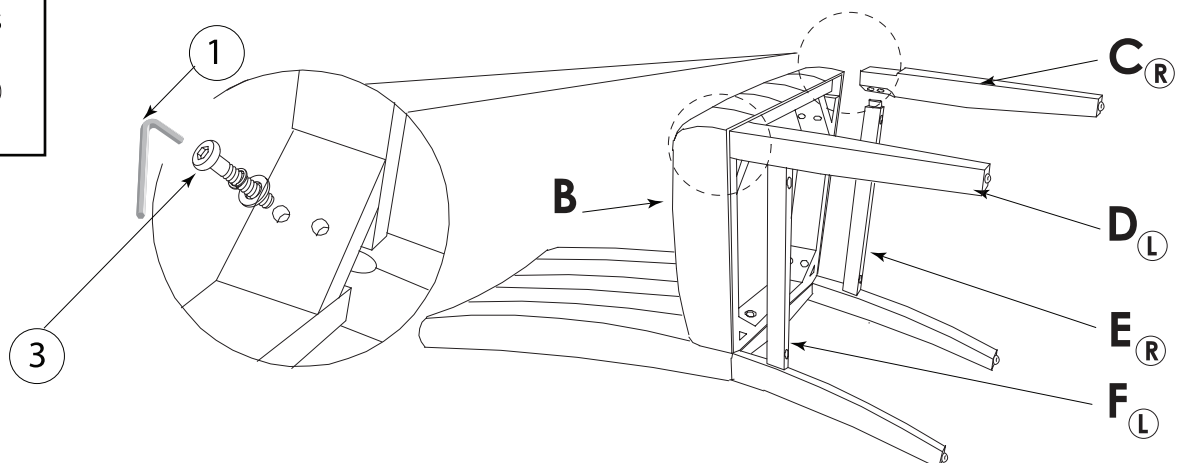
Insert Right Stretcher (F) and Left Stretcher (E) into the designated hole on Back Leg Frame (A)

STEP 3

3 x 4 sets



Assemble Front Leg Left (D) & Front Leg Right (C) by aligning Bolts (3) fitted with Spring Washer & Flat Washer. Make sure Side Stretcher Left (E) & side Stretcher Right (F) inserted into the designated hole in the front legs. Tighten the bolts using Allen key (1) NOT FULLY TIGHTEN it at this stage.



ASSEMBLY STEPS

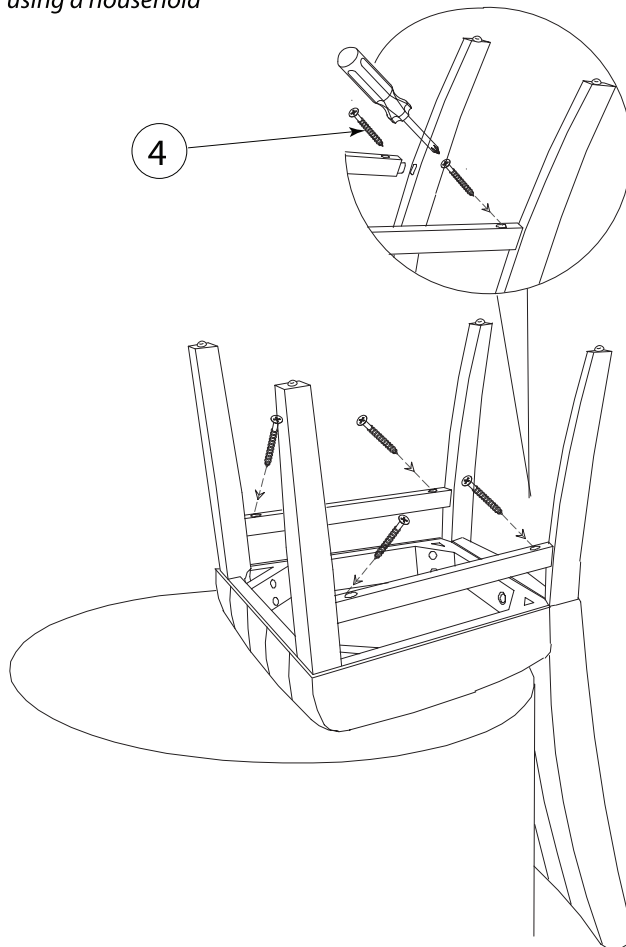
STEP 4

4 x 4 pcs

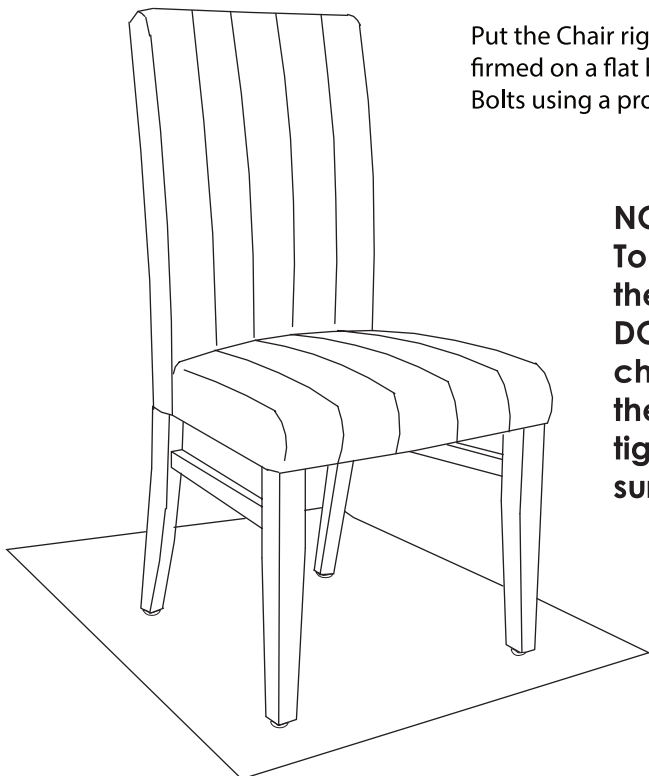


Align Screw (4) to fit all the stretchers.
Tighten the screws by using a household
screwdriver*.

* The household Philip screwdriver
is not provided.



Put the Chair right up, make sure all the legs are standing
firmed on a flat hard surface, and You can fully tighten all the
Bolts using a provide Allen Key.



NOTE:

To ensure the chair stands leveled, assemble
the chair on a flat & soft surface.
DO NOT tighten all bolts and screws until the
chair is adjusted & balanced all the legs so that
they do not wobble. Once adjusted, then fully
tighten all the bolts and screws while making
sure that the unit remains level on a flat surface.