



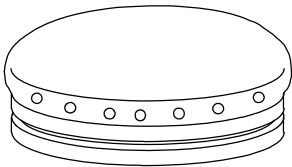
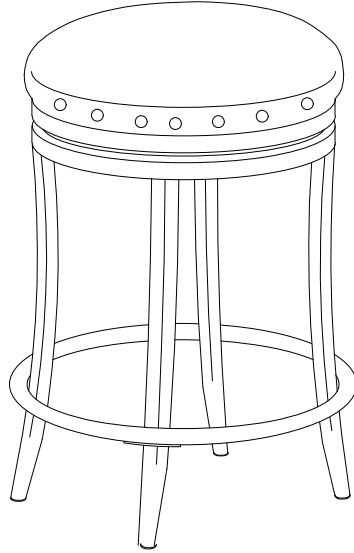
ASSEMBLY INSTRUCTION

TLCH

TLC-B2208 SWVL BAR STOOL

Manufactured by TLCH for Rooms To Go

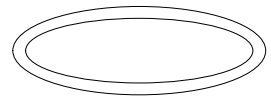
SKU# 42422080



Seat
A×1PC



Leg
B×4PCS



Stretcher
C×1PC

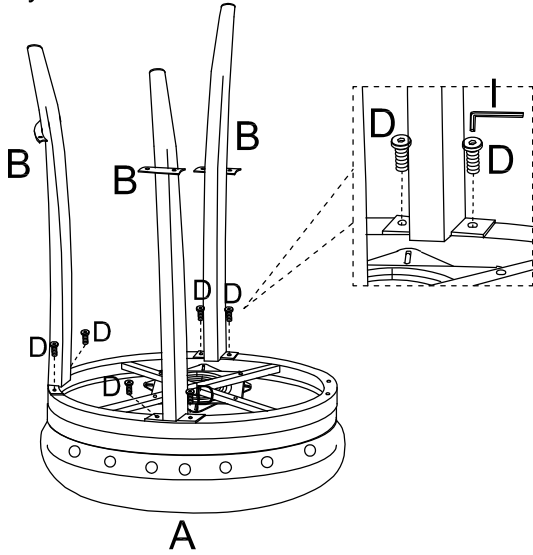
HARDWARE LIST

NO	Description	Sketch	Quantity
D	Bolt 1/4"x20x7/16"		16
E	Allen Wrench Φ5/32"		1

Step 1

Attach the 3 legs to the seat frame

Note: Do not tighten all bolts until all the parts are fully assembled.

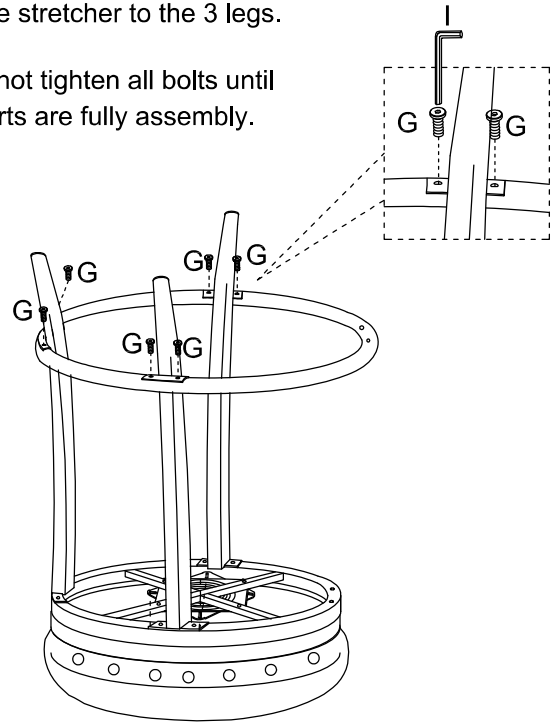


D×6PCS

Step 2

Attach the stretcher to the 3 legs.

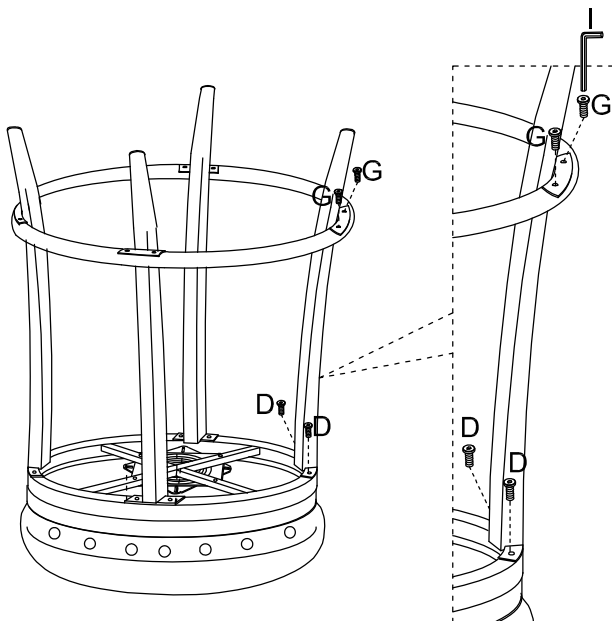
Note: Do not tighten all bolts until all the parts are fully assembled.



G×6PCS

Step 3

Attach the leg to the seat frame and the stretcher.



D×2PCS

G×2PCS

Step 4

