

# ASSEMBLY INSTRUCTION

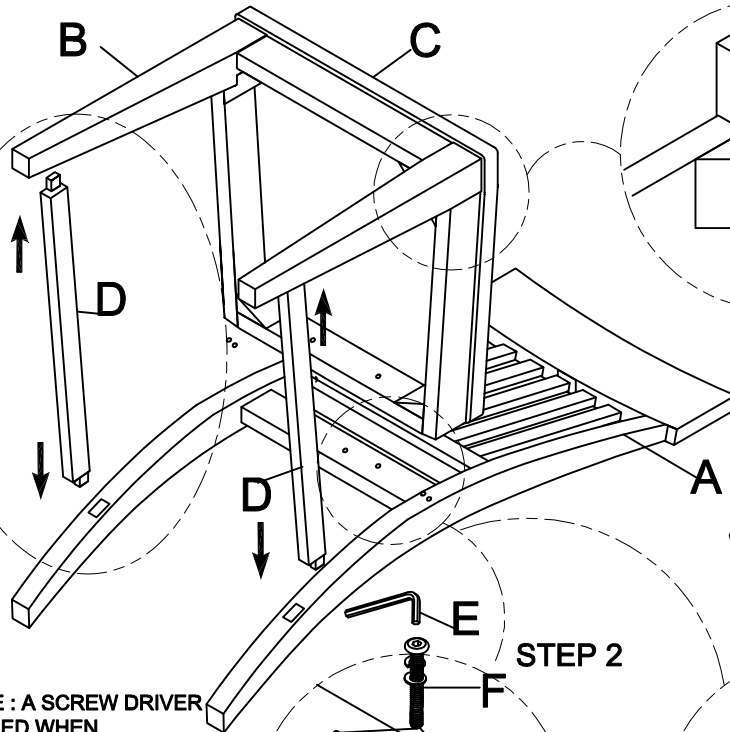
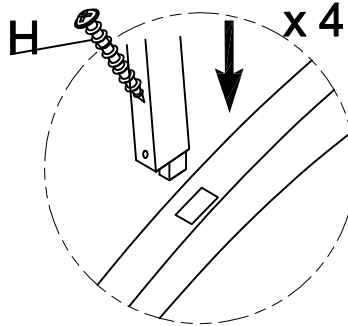
EMRI 2581-04 SKU # 42425822  
 EMRI 2581-06 SKU # 42425834  
 EMRI 2581-09 SKU # 42425810  
**SLAT BACK DINING CHAIR**

Thank you for purchasing this product. Be sure to check all packing materials carefully for small parts that may have come loose inside the carton during shipment.

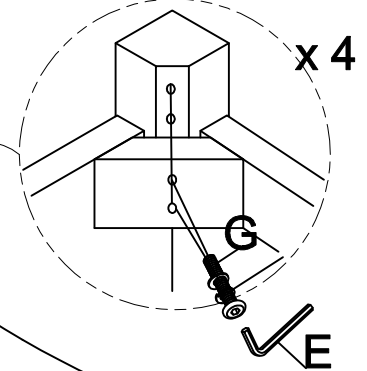
**Before You Assemble:** Please read all instructions carefully before beginning assembly. It is recommended that 2 people work together during assembly to prevent personal injury and to ensure that heavy or cumbersome parts are not damaged during the process.

**CAUTION:** For your safety, this product requires two people to lift.

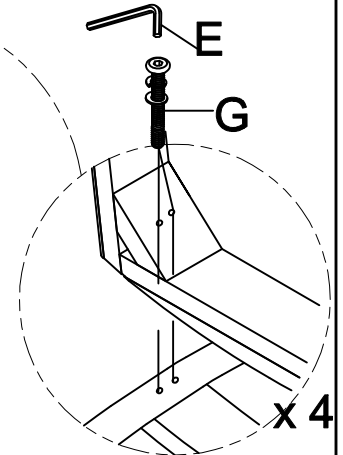
STEP 3



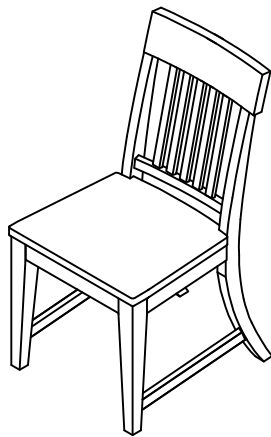
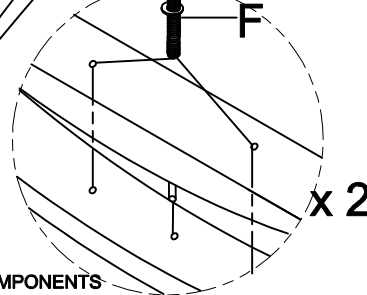
STEP 4



STEP 1

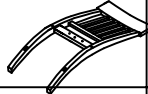
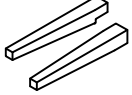
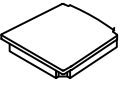
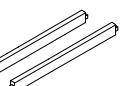





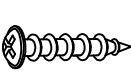
STEP 2



NOTE : A SCREW DRIVER IS NEED WHEN ASSEMBLE THIS PRODUCT (NOT INCLUDED IN THE HARDWARE PACK)

NOTE: WAIT TO TIGHTEN ALL COMPONENTS COMPLETELY UNTIL UNIT IS FULLY ASSEMBLED. THIS WILL ALLOW FOR EASIER ASSEMBLY.

PICTURE	DESCRIPTION	Q'TY
A 	<b>BACK CHAIR</b> EHF # N/A	1pc
B 	<b>FRONT LEGS L / R</b> EHF # LEGS	2pcs
C 	<b>SEAT</b> EHF # N/A	1pc
D 	<b>STRETCHER L / R</b> EHF # STR	2pcs

PICTURE	DESCRIPTION	Q'TY
E 	<b>ALLEN KEY 20*60*4mm</b> EHF # HDWR	1pc
F 	<b>BOLT 5/16" *18* 1 3/4"</b> EHF # HDWR	2pcs
G 	<b>BOLT 5/16" *18* 3 1/4"</b> EHF # HDWR	8pcs
H 	<b>SCREWS 4 X 1 1/2"</b> EHF # HDWR	4pcs