

Assembly Instructions

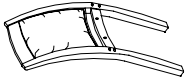
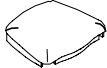

HMIS 3301-04 Side Chair

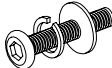

SKU# : 42433019

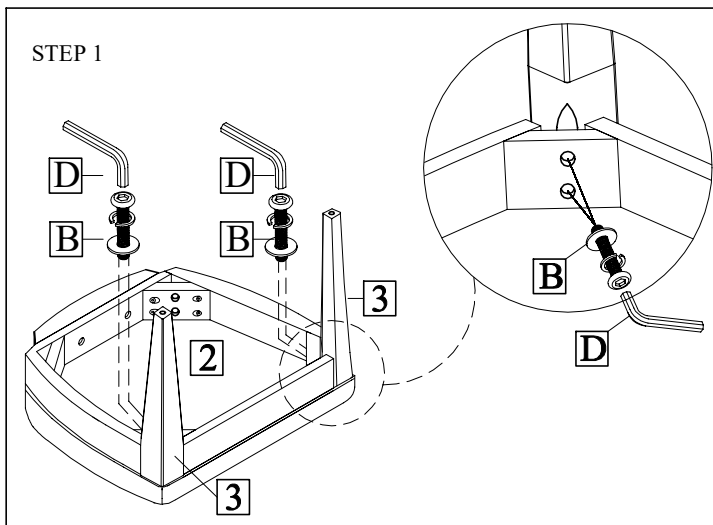
HMIS 3303-03 Side Chair

SKU# : 42433033

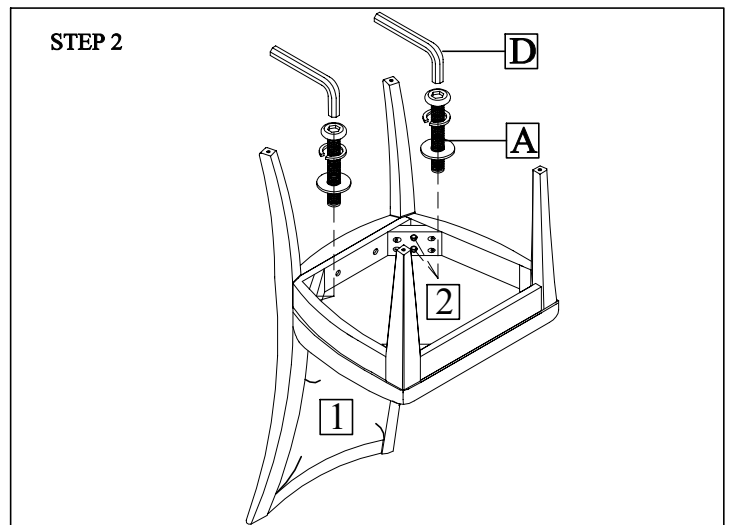
*****Caution:** Please read all instructions carefully before starting the assembly process. These parts are cumbersome and heavy. Therefore, two people are recommended in order to prevent personal injury and ensure the parts are not damaged during the assembly

Code	PARTS LIST:		
1	Chair Back		1Pc
2	Cushion Seat		1Pc
3	Front Legs		2Pcs

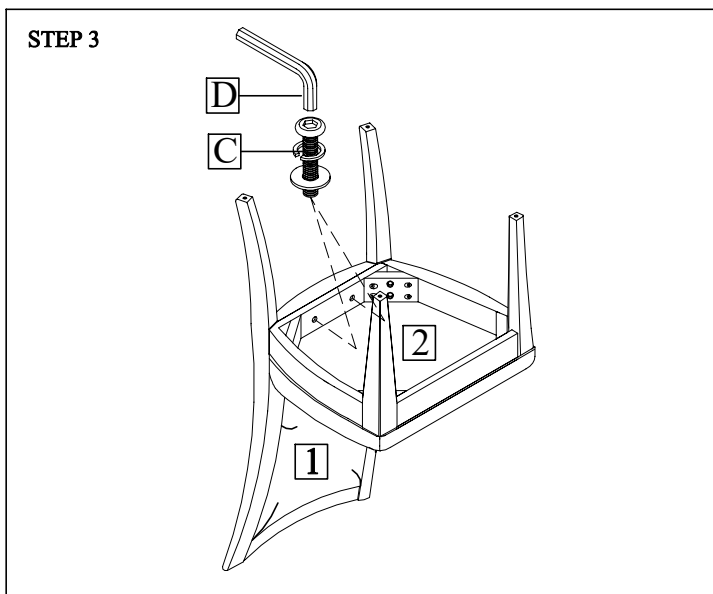
Step	Code	Hardware List		
2	A	Bolt - Ø5/16x18x90mm		4Pcs
		Flat washer - Ø5/16x22x1.5mm		4Pcs
		Lock washer - Ø5/16		4Pcs
1	B	Bolt - Ø5/16x18x58mm		4Pcs
		Flat washer - Ø5/16x22x1.5mm		4Pcs
		Lock washer - Ø5/16		4Pcs
2	C	Bolt - Ø5/16x18x38mm		2Pcs
		Flat washer - Ø5/16x22x1.5mm		2Pcs
		Lock washer - Ø5/16		2Pcs
1-2-3	D	Allen Key - 4mm		1Pc



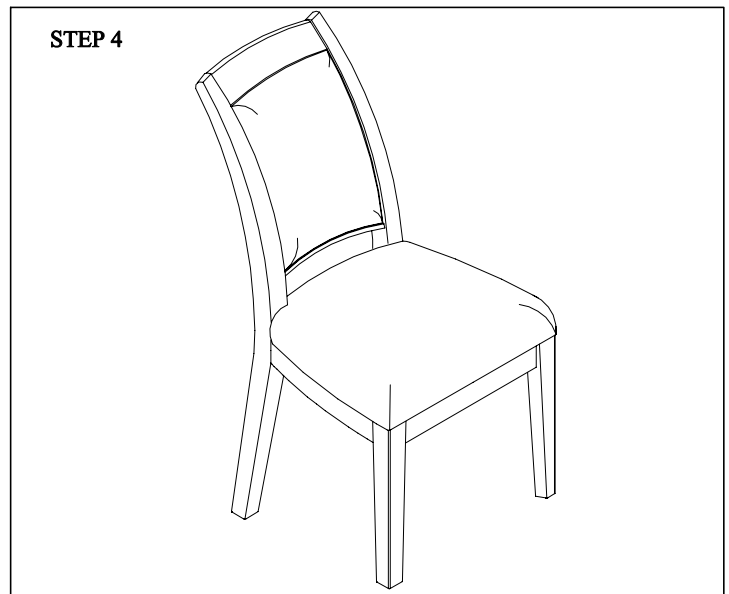
Assemble Front Legs(3) with Cushion Seat(2) using flat washers(B) + lock washers(B) and bolts(B) by allen key (D).
Do not tighten all bolts until Chair is fully assembly.



Assemble Cushion Seat(2) with Chair Back(1) using flat washers(A) + lock washers(A) and bolts(A) by allen key (D).
Do not tighten all bolts until Chair is fully assembly.



Assemble Cushion Seat(2) with Chair Back(1) using flat washers(C)+ lock washers(C) and bolts(C) by allen key (D).
Fully tighten all bolts at this step.



Turn the chair to upright position carefully.

Hardware Pack Location(s):
Side Chair, SKU# : 42433019
Side Chair, SKU# : 42433033

This product is manufactured by HMIS for

ROOMS TO GO ▶