





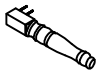

Assembly Instructions







SUFU #3607 DINING CHAIR
SKU# 42436077

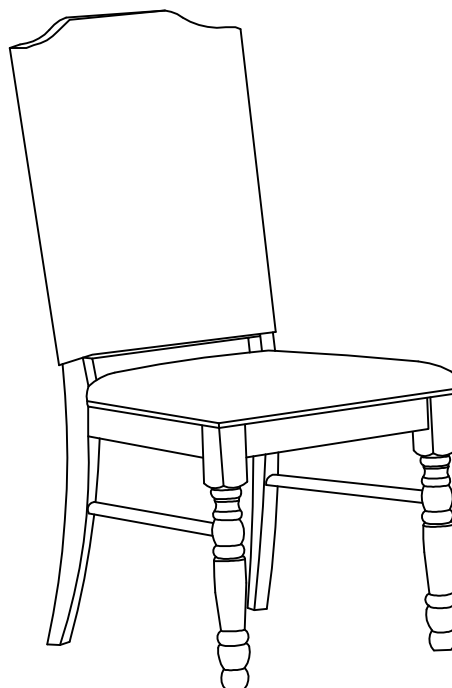
P: 1 of 2

Caution: Please read the instructions thoroughly before unpacking and assembly. Sharp, exposed staple tips can cause injury, therefore, for your protection, please remove any exposed staples used in the packaging.

1. We recommend that you assemble this product with the assistance of another person. This will make the assembly easier, and will help you prevent damage to the product or injury to persons during assembly.
2. Be sure to check all packing materials carefully for small parts that may have come loose inside the carton during shipment.
3. Please **do not** over tighten screws or bolts.
4. Please put all parts on a non-abrasive floor before assembly, and follow the assembly steps to assemble your newly purchased product correctly and efficiently.

NO.	Part List		Q'TY
A		CHAIR BACK	1
B		SEAT CUSHION	1
C		FRONT LEG	2
D		STRETCHERS	2

NO.	Hardware List		Q'TY
1		BOLT (Ø1/4 in.-20 TPI x 35mm)	2
		SPRING WASHER (Ø1/4")	2
		FLAT WASHER (Ø1/4" x 13mm)	2
2		HEXAGONAL NUT (Ø5/16")	4
		SPRING WASHER (Ø5/16")	4
		FLAT WASHER (Ø5/16" x 19mm)	4
3		BOLT (Ø5/16 in.-20 TPI x 60mm)	4
		SPRING WASHER (Ø5/16")	4
		FLAT WASHER (Ø5/16" x 19mm)	4
4		SCREW (M4 x 35mm)	4
5		ALLEN WRENCH (4 mm)	1
6		HEXAGON WRENCH	1





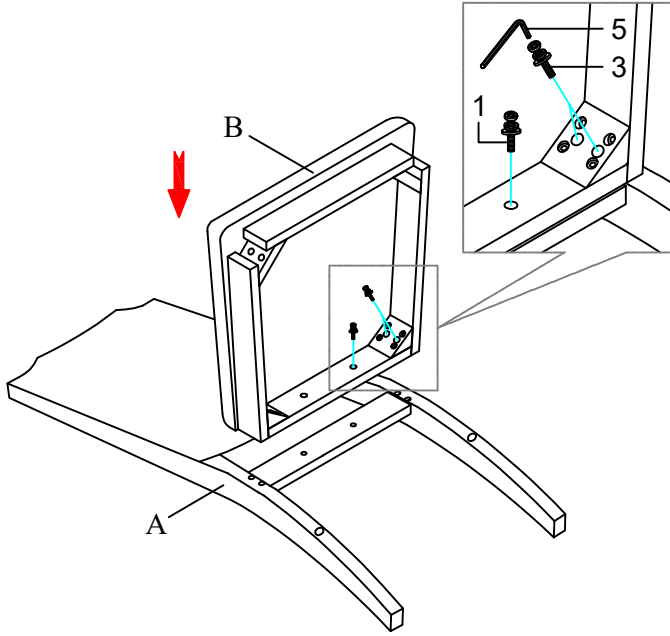
Assembly Instructions

SUFU #3607 DINING CHAIR
SKU# 42436077

Unpack the carton and place all parts on a non-abrasive floor.

Step 1: Attach the Seat Cushion (B) to the Chair Back (A) with Bolts (1) & Bolts (3), and loosely screw in bolts by using Allen Wrench (5).

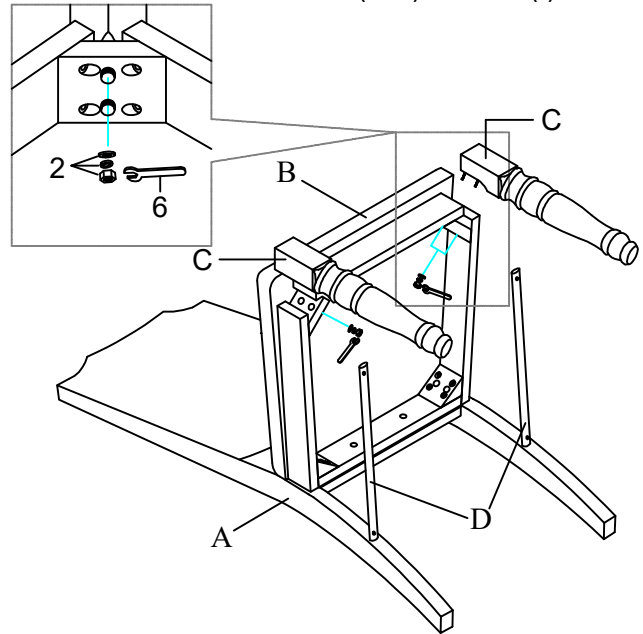
DO NOT FULLY TIGHTEN BOLTS (1 & 3) AT THIS TIME .



This step needs installation of two Bolts (#1) and four Bolts (#3) .

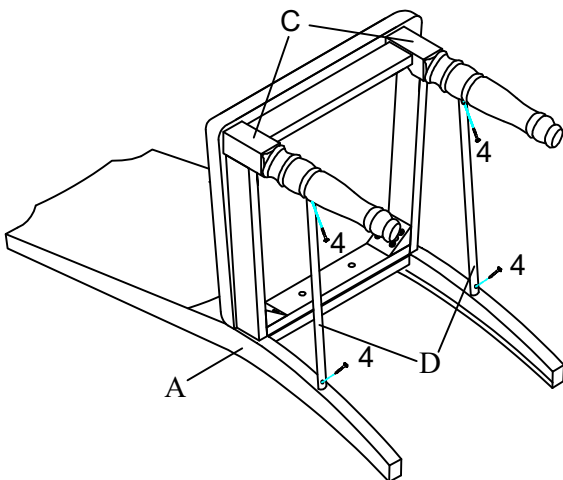
Step 2: Attach Front Legs (C) to Seat Cushion (B) with Nuts, Spring Washers and Flat Washers (2), and loosely tighten them by using Hexagon Wrench (6). Next, insert Stretchers (D) into Chair Back (A) and the Front Legs (C).
NOTE: DO NOT use Screws (4) at this step.

NOW FULLY TIGHTEN BOLTS (1 & 3) AND NUTS (2) AT THIS STEP.



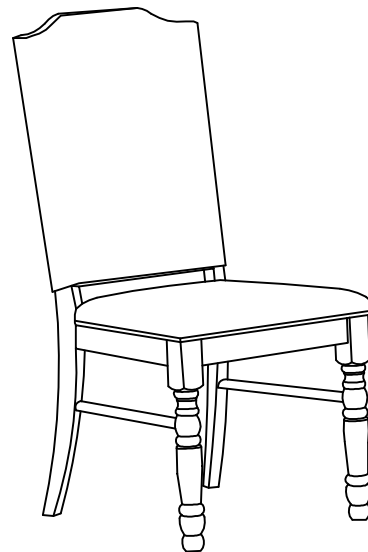
This step needs installation of four Nuts (#2).

Step 3: Use Screws (4) to fully tighten Stretchers (D) into Chair Back (A) and Front Legs (C).



This step needs installation of four Screws (#4).

Now your dining chair is ready to be used.
Repeat the steps to assemble the other dining chair(s).



Assembly is now completed! Thank you for choosing this quality product!